

[54] VACUUM CLEANER

[75] Inventor: Rolf Strohmeyer, Wuppertal, Fed. Rep. of Germany

[73] Assignee: Vorwerk & Co. Elektrowerke KG, Wuppertal, Fed. Rep. of Germany

[**] Term: 14 Years

[21] Appl. No.: 517,359

[22] Filed: Jul. 25, 1983

[30] Foreign Application Priority Data

Feb. 24, 1983 [DE] Fed. Rep. of Germany ... 54 MR 14 736

[52] U.S. Cl. D32/22

[58] Field of Search D32/21, 22, 23, 24; 15/320-327 R, 327 D, 327 E

[56] References Cited

U.S. PATENT DOCUMENTS

D. 81,779 8/1930 Finnel D32/22

OTHER PUBLICATIONS

Neckermann Catalog, Summer 1982, p. 862, #1, Lloyds Vacuum Model #8676/411.

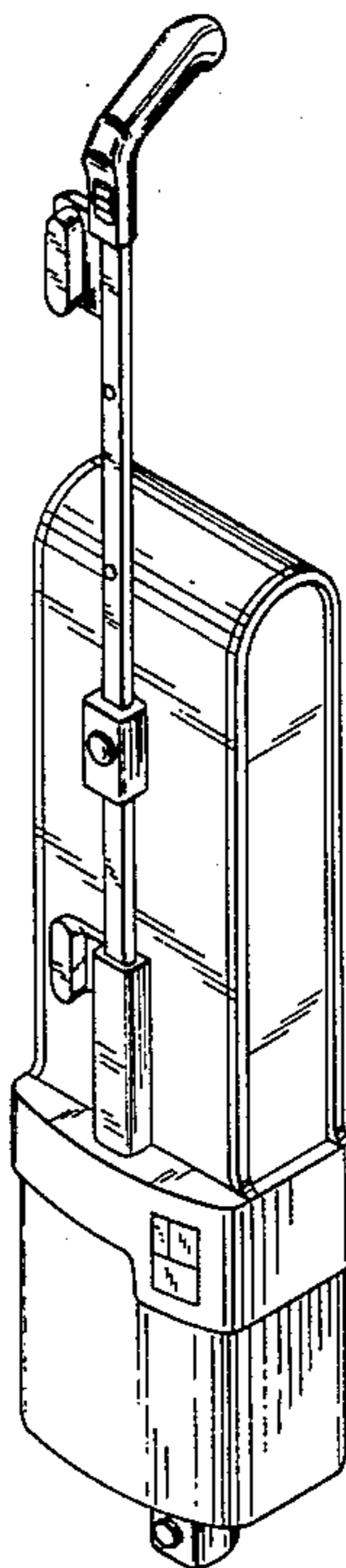
Primary Examiner—Catherine E. Kemper
Attorney, Agent, or Firm—Michael J. Striker

[57] CLAIM

The ornamental design for a vacuum cleaner, substantially as shown and described.

DESCRIPTION

FIG. 1 is a front elevational view of a vacuum cleaner showing my new design;
FIG. 2 is a rear elevational view thereof;
FIG. 3 is a left side elevational view thereof;
FIG. 4 is a right side elevational view thereof;
FIG. 5 is a top plan view thereof;
FIG. 6 is a bottom plan view thereof; and
FIG. 7 is a top front perspective view thereof.



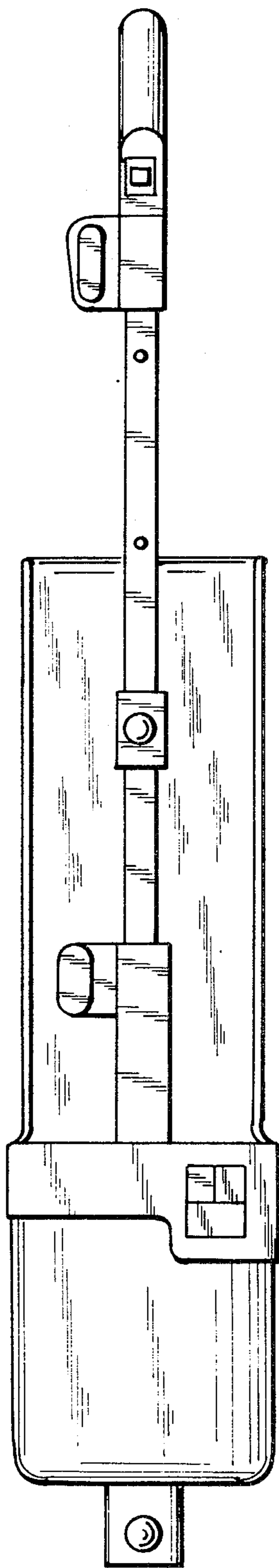


FIG. 1

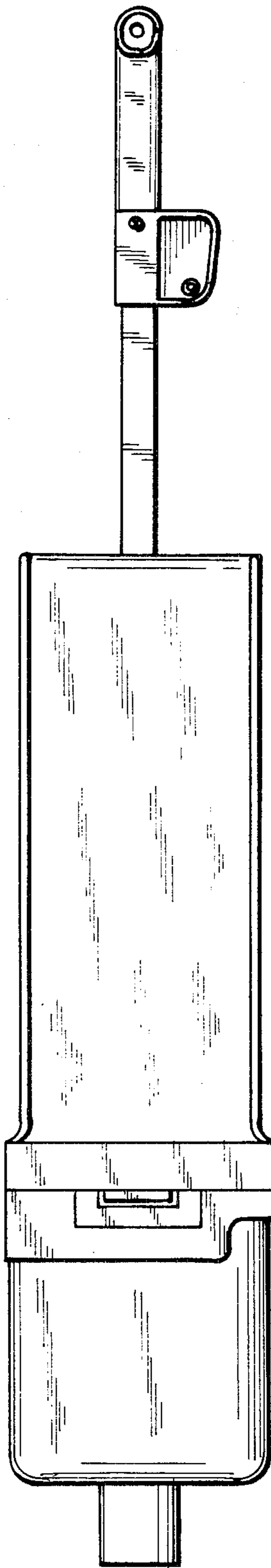


FIG. 2

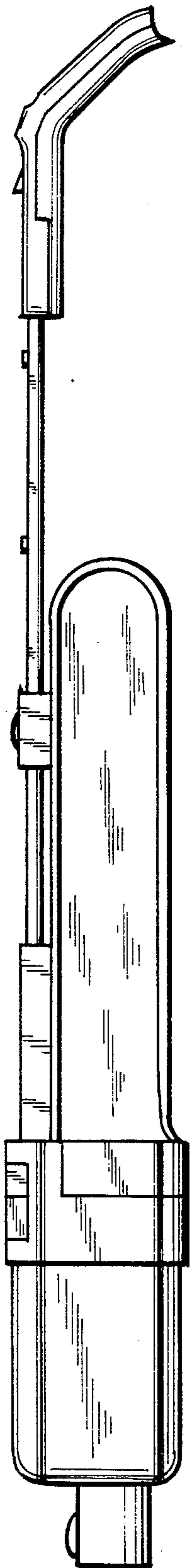


FIG. 3

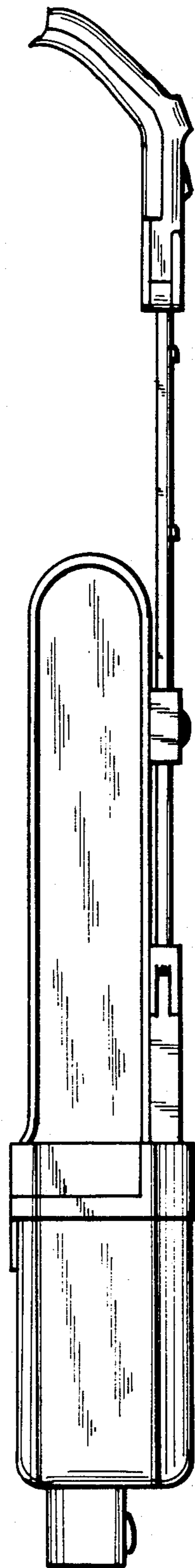


FIG. 4

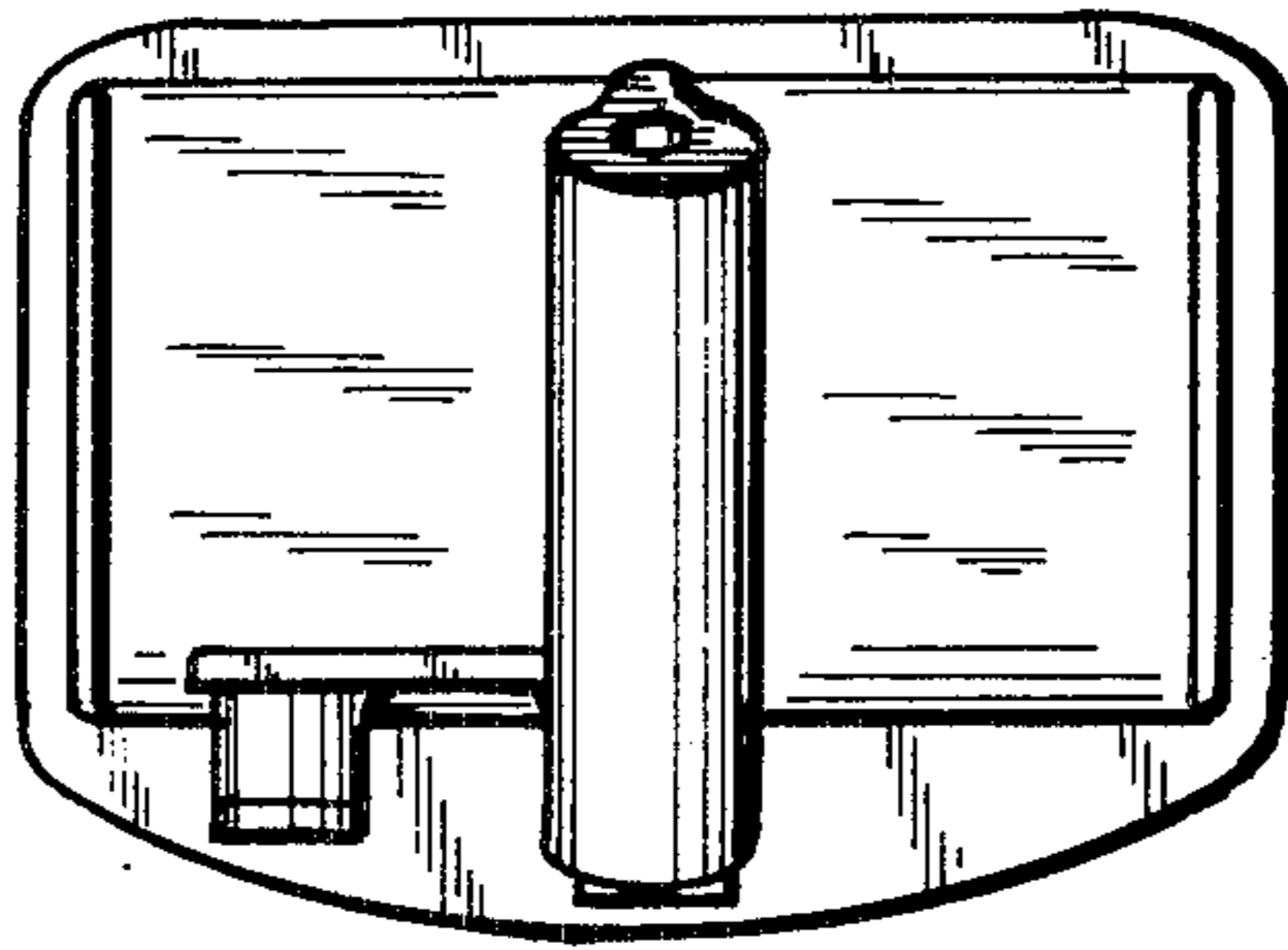


FIG. 5

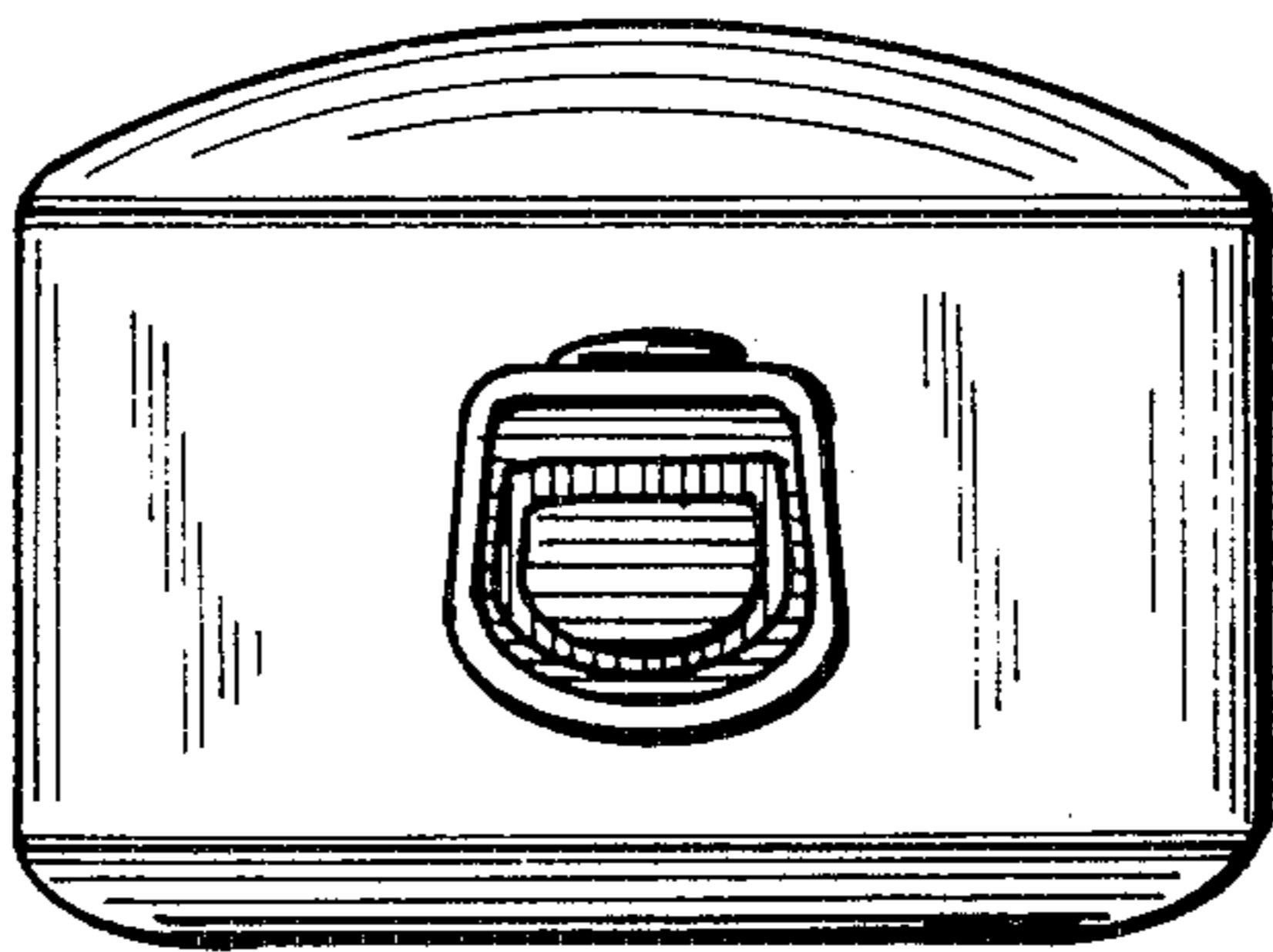


FIG. 6

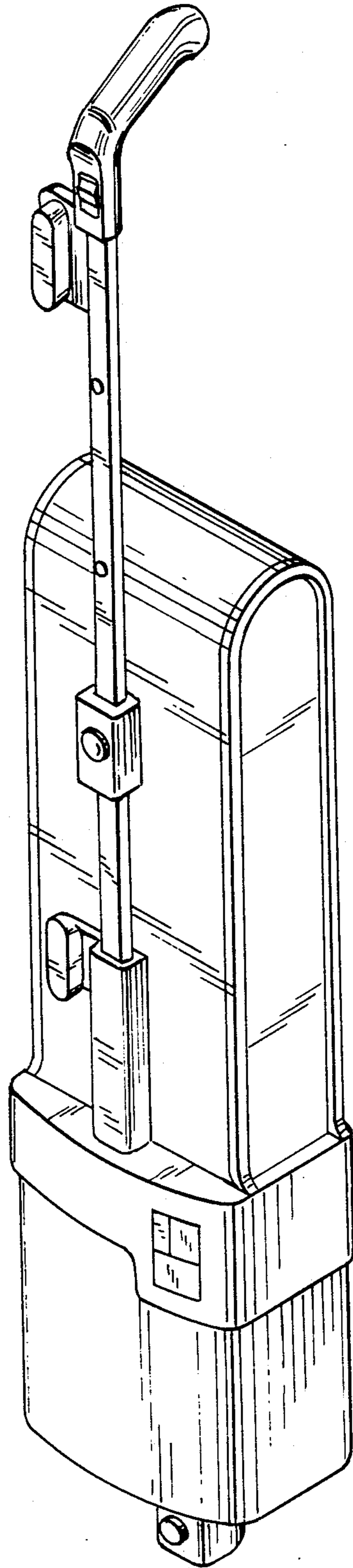


FIG. 7