

[54] **WATER HEATER FOR TUBS, SWIMMING POOLS AND THE LIKE**

[75] **Inventor: James E. Kingston, Arlington, Wash.**

[73] **Assignee: Hollibaugh Manufacturing Company, Inc., Marysville, Wash.**

[\*\*] **Term: 14 Years**

[21] **Appl. No.: 470,829**

[22] **Filed: Feb. 28, 1983**

[52] **U.S. Cl. .... D23/88**

[58] **Field of Search ..... D23/72, 77, 84, 86-89; 219/306, 296; 126/362**

[56] **References Cited**

**U.S. PATENT DOCUMENTS**

D. 222,260 10/1971 Read et al. .... D23/88

*Primary Examiner*—Catherine E. Kemper  
*Attorney, Agent, or Firm*—Seed and Berry

[57] **CLAIM**

The ornamental design for a water heater for tubs, swimming pools and the like, substantially as shown and described.

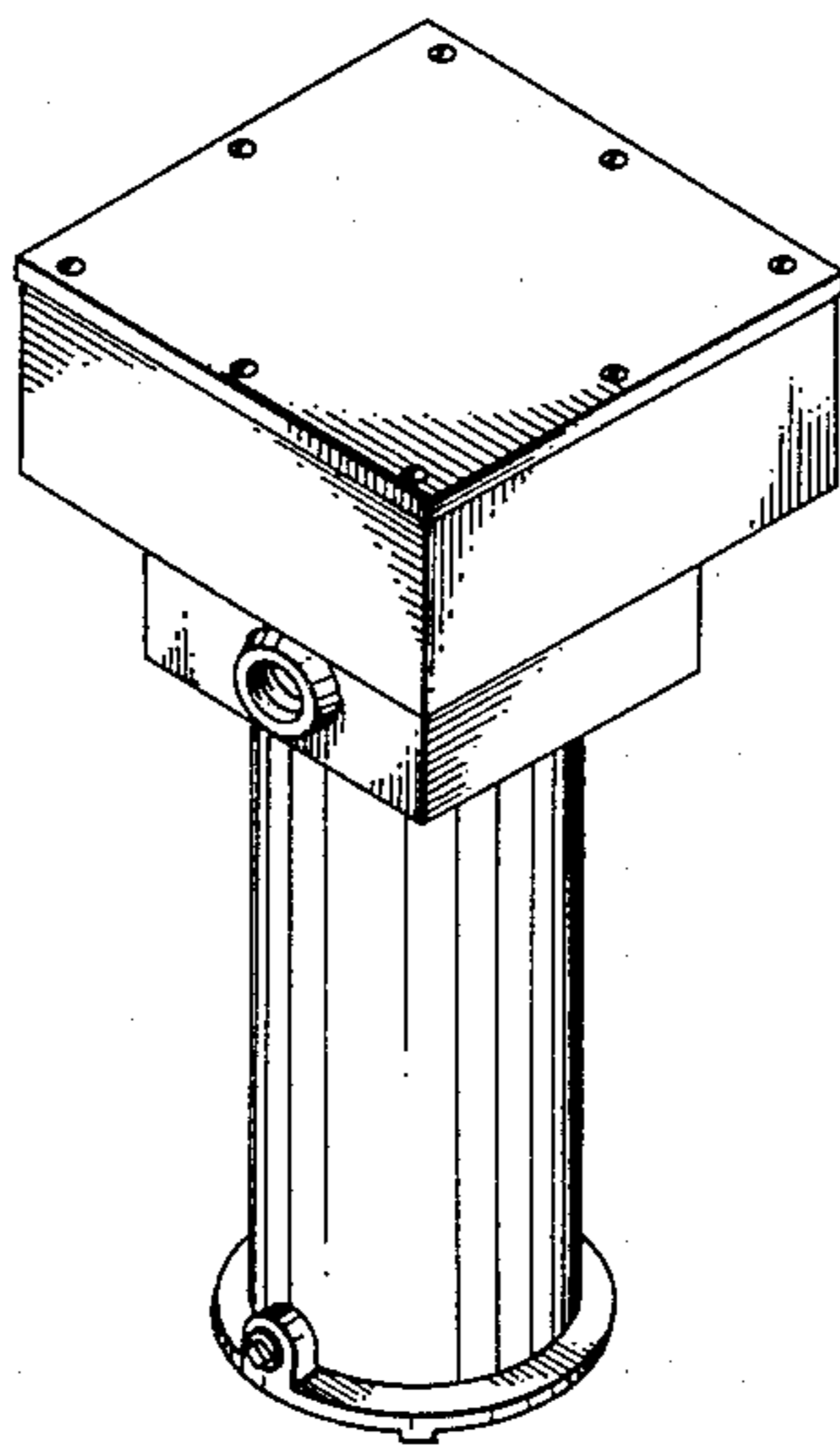
**DESCRIPTION**

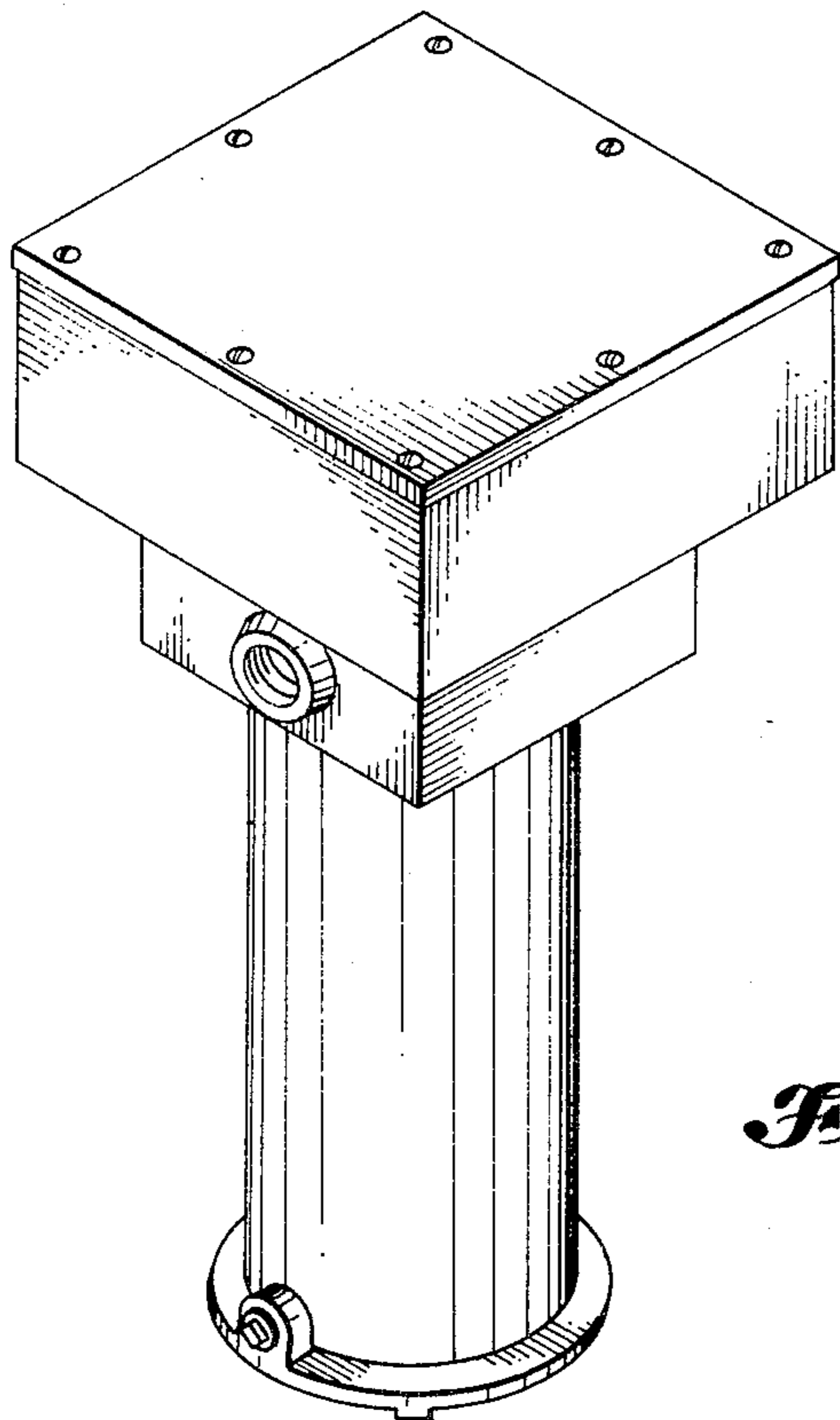
FIG. 1 is a top perspective view of a water heater for tubs, swimming pools and the like showing my new design;

FIG. 2 is a front elevation view thereof;

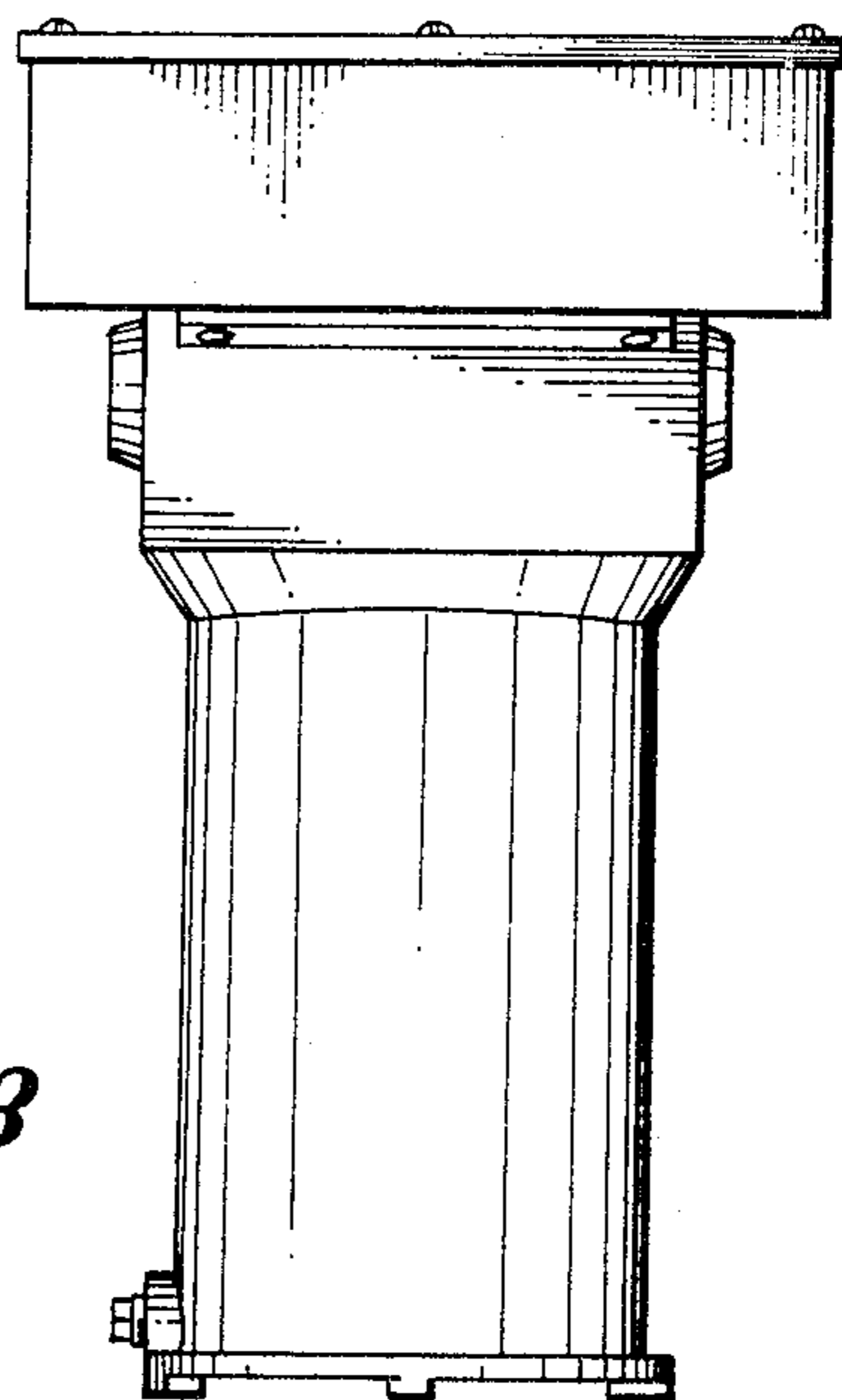
FIG. 3 is a side elevation view thereof; and

FIG. 4 is a bottom plan view thereof.

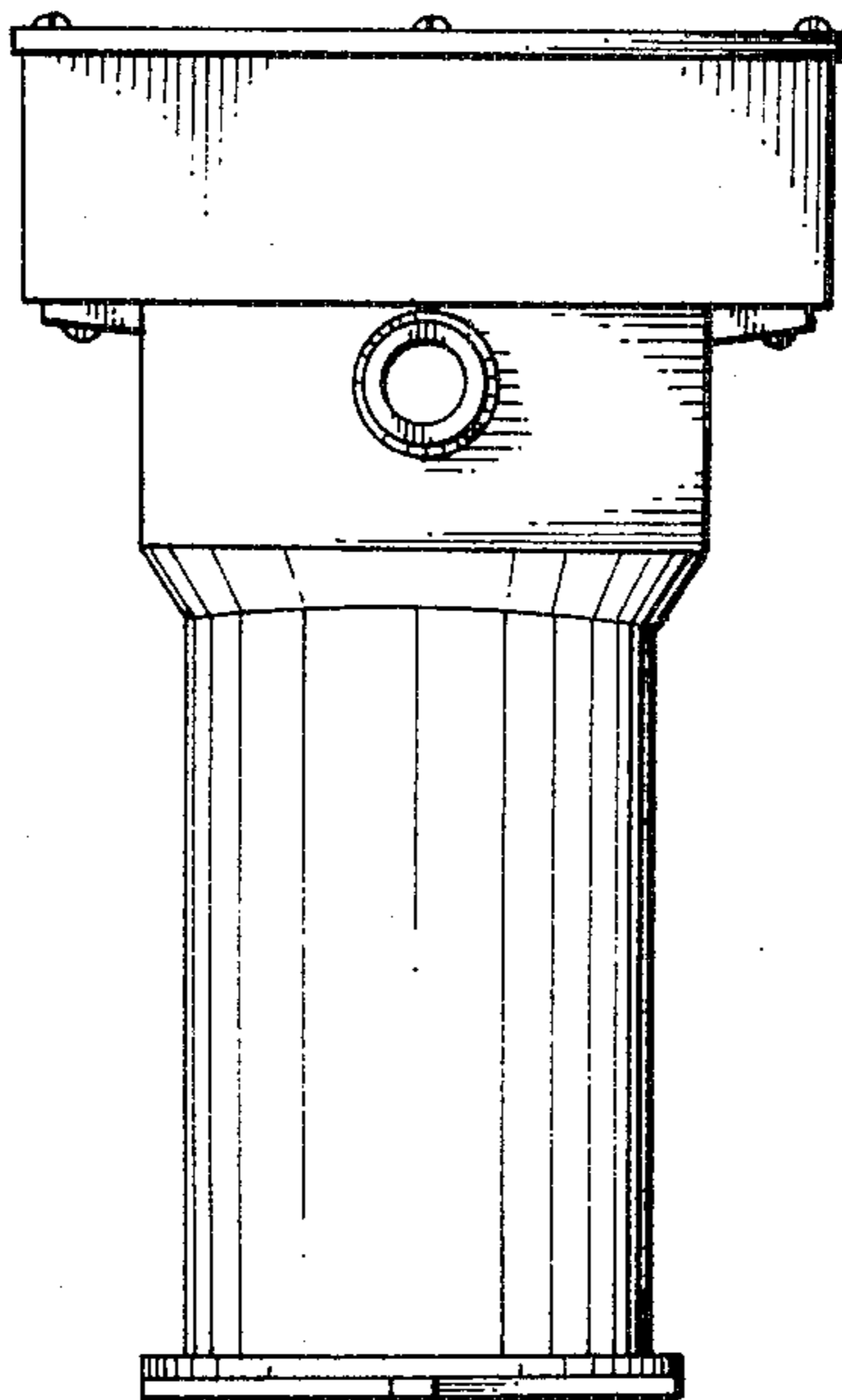




*Fig. 1*



*Fig. 3*



*Fig. 2*

*Fig. 4*

