

[54] COMBINED TOY GUN AND CARRYING CASE

[75] Inventors: John F. Mayer, Fort Thomas, Ky.; John J. Norton, Cincinnati, Ohio

[73] Assignee: CPG Products Corp., Minneapolis, Minn.

[**] Term: 14 Years

[21] Appl. No.: 627,362

[22] Filed: Jul. 2, 1984

[52] U.S. Cl. D21/146; D21/59; D21/109

[58] Field of Search D21/59, 190, 145, 146, D21/147; 446/473; 124/63, 64, 65, 56; D3/44, 66

[56] References Cited

U.S. PATENT DOCUMENTS

D. 129,527	9/1941	Hannigan	D21/46
D. 204,284	4/1966	Ryan	D21/146
D. 204,469	4/1966	Ryan	D21/146
D. 235,365	6/1975	Gay et al.	D21/87

OTHER PUBLICATIONS

Sears 1981 Wish Book, p. 637, Item #16, Simulative Toy Case.

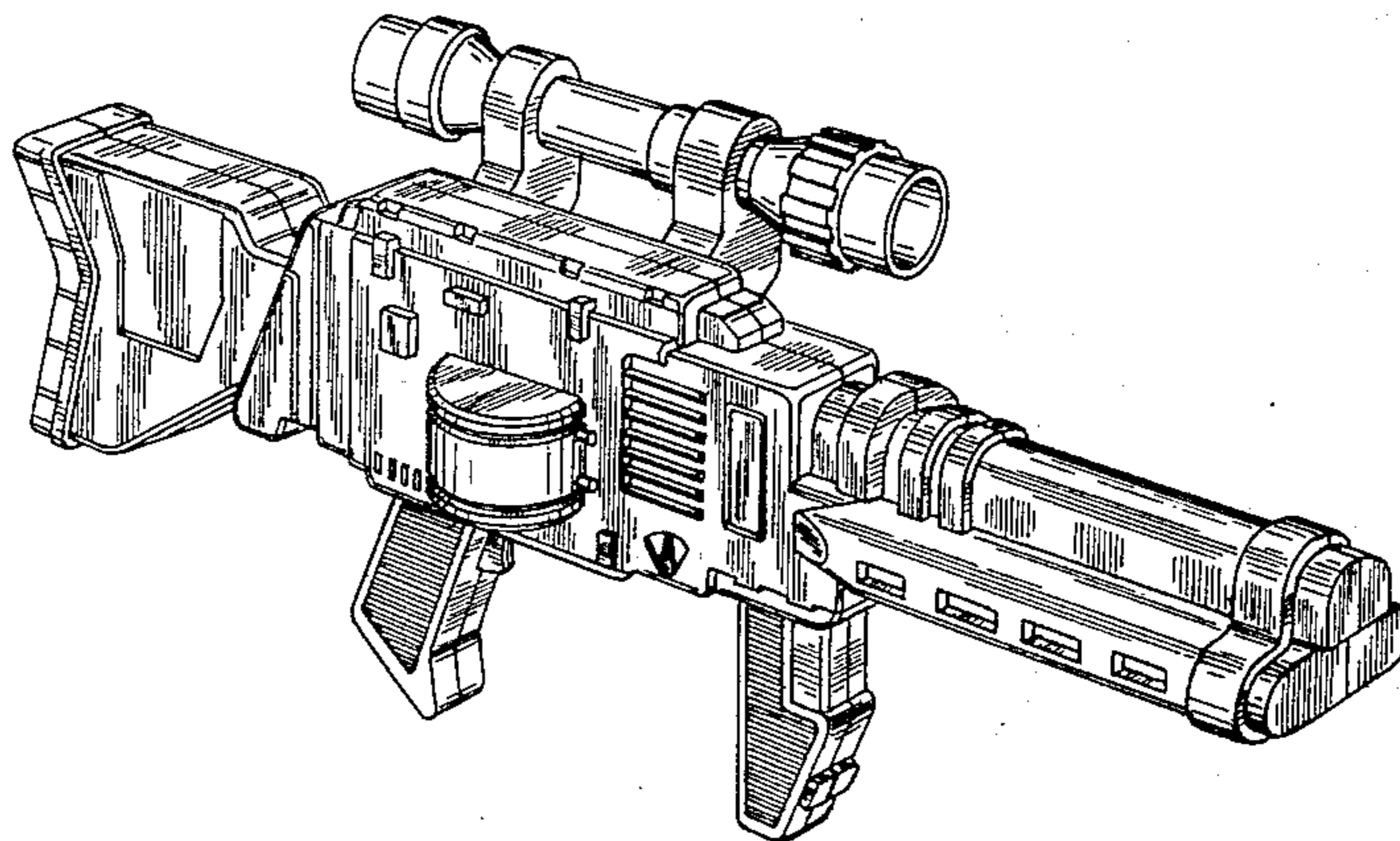
Primary Examiner—Charles A. Rademaker
Attorney, Agent, or Firm—L. MeRoy Lillehaugen; Gene O. Enockson

[57] CLAIM

The ornamental design for a combined toy gun and carrying case, substantially as shown and described.

DESCRIPTION

FIG. 1 is a perspective view of a combined toy gun and carrying case showing our new design; FIG. 2 is a top plan view thereof; FIG. 3 is a front elevational view thereof; FIG. 4 is a rear elevational view thereof; FIG. 5 is a bottom plan view thereof; FIG. 6 is an end view thereof, as viewed from the right of FIG. 3; FIG. 7 is an end view thereof, as viewed from the left of FIG. 3; and FIG. 8 is a front elevational view which illustrates our new design in an open condition.



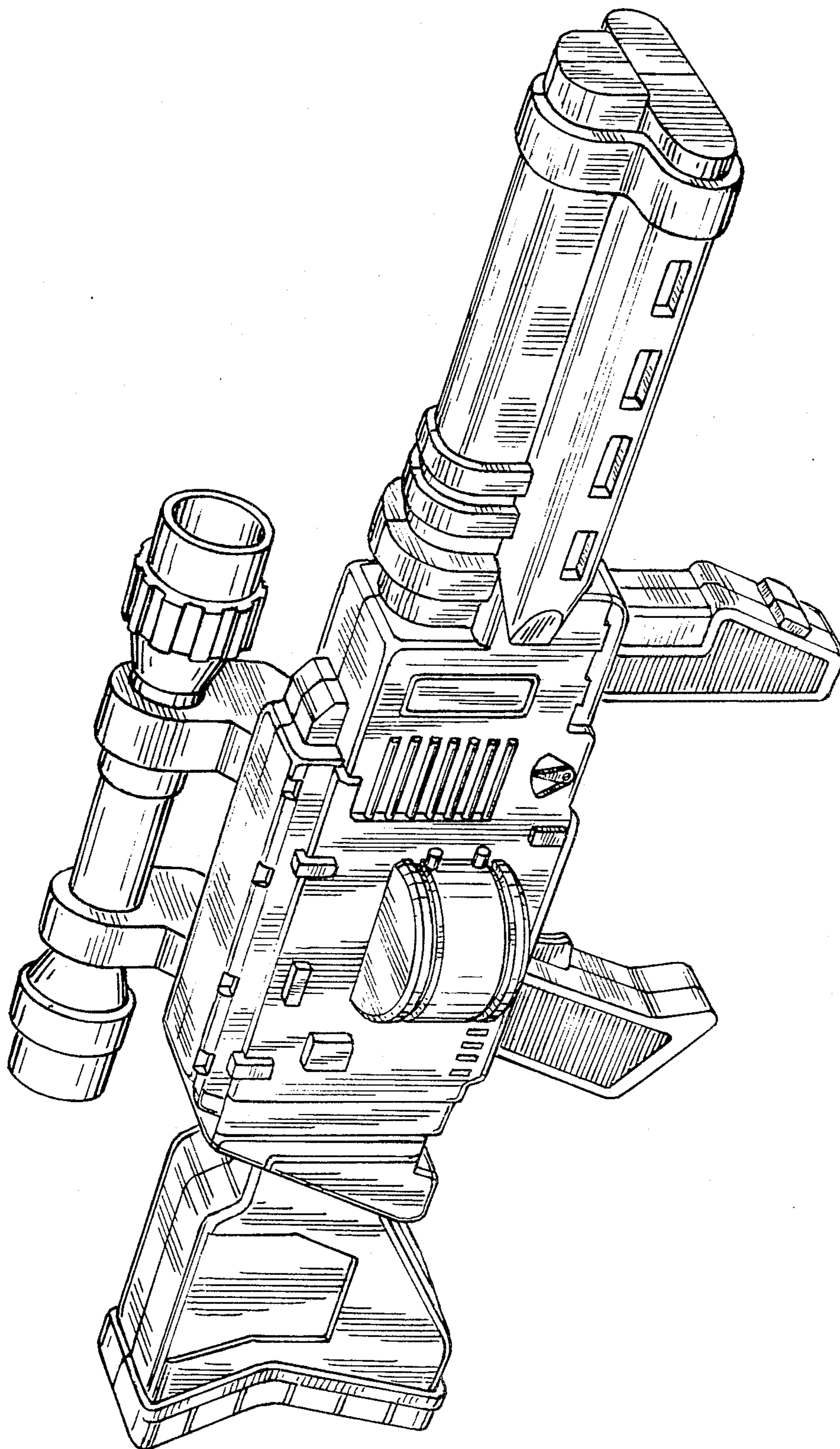
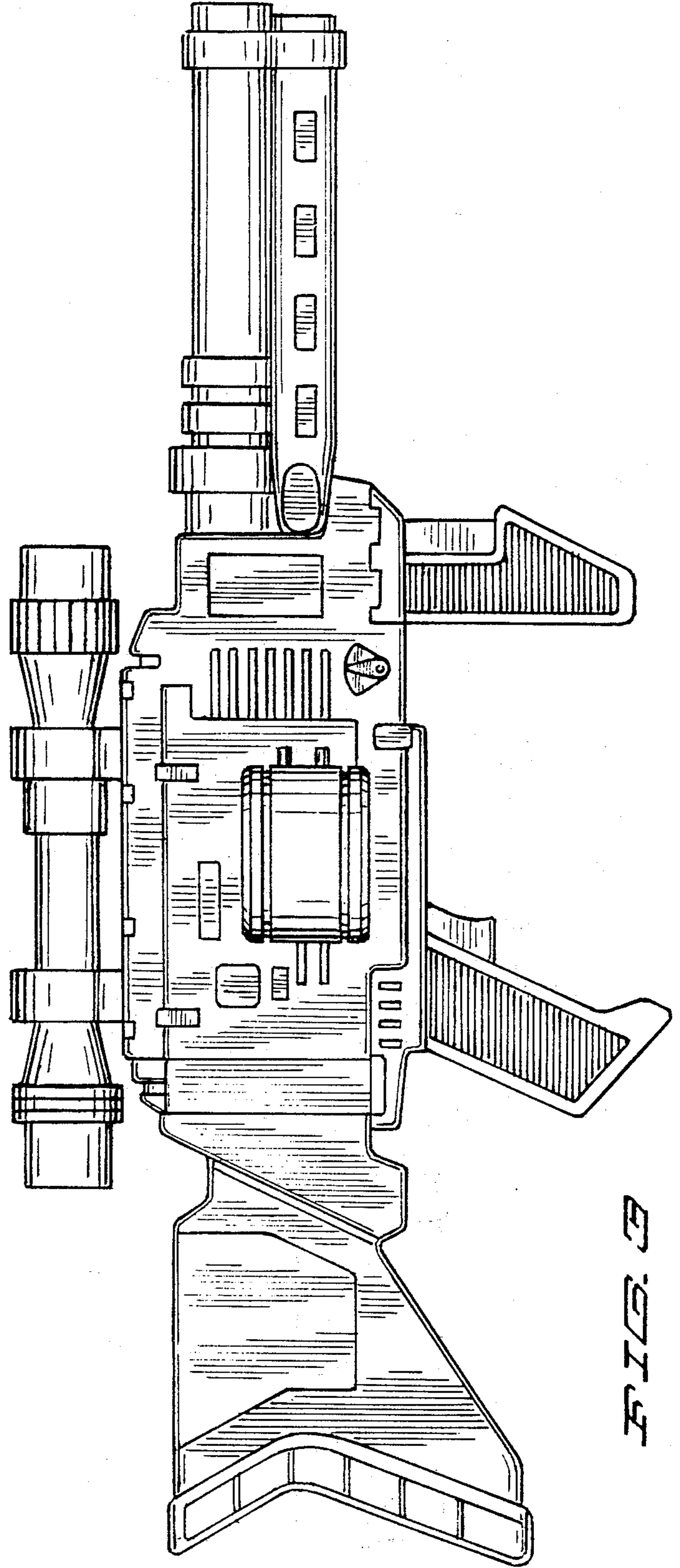
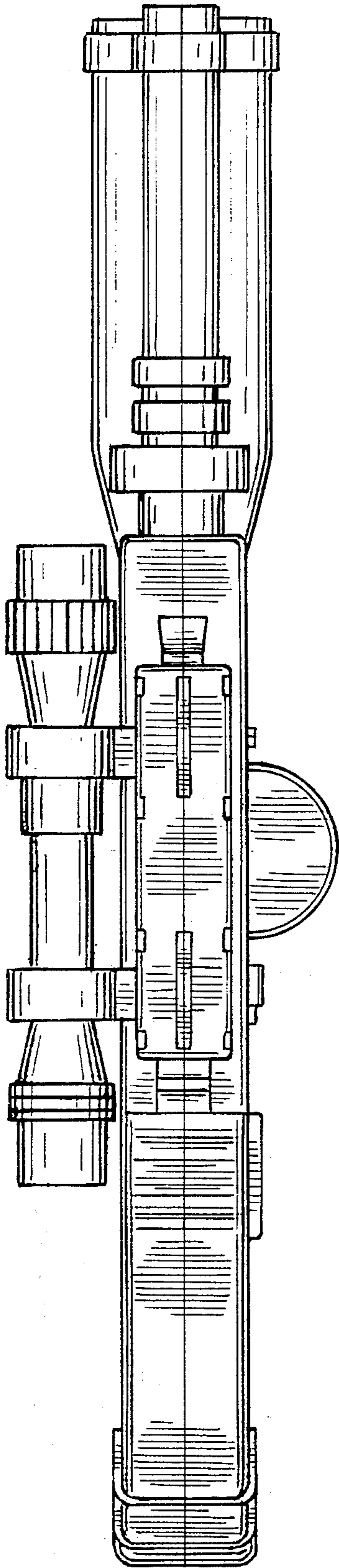
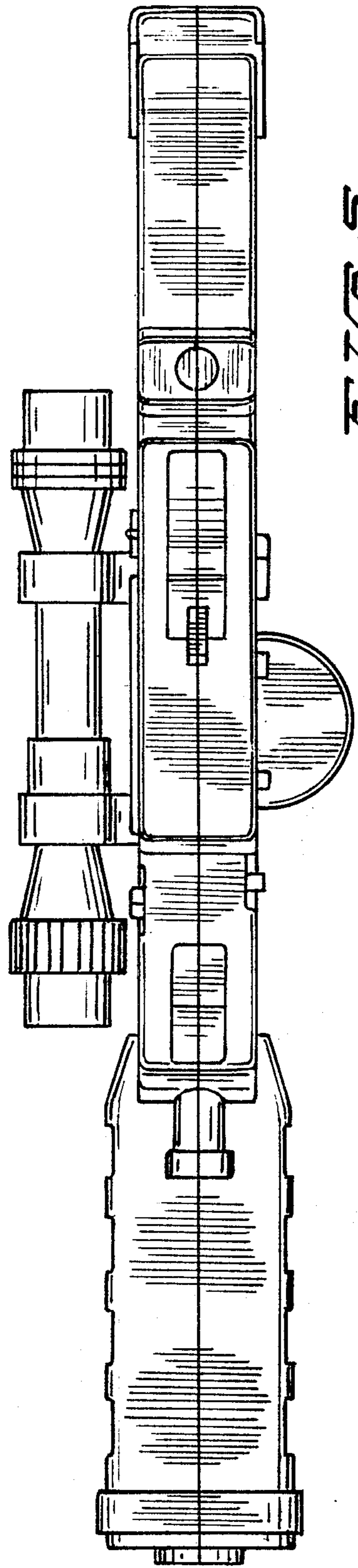
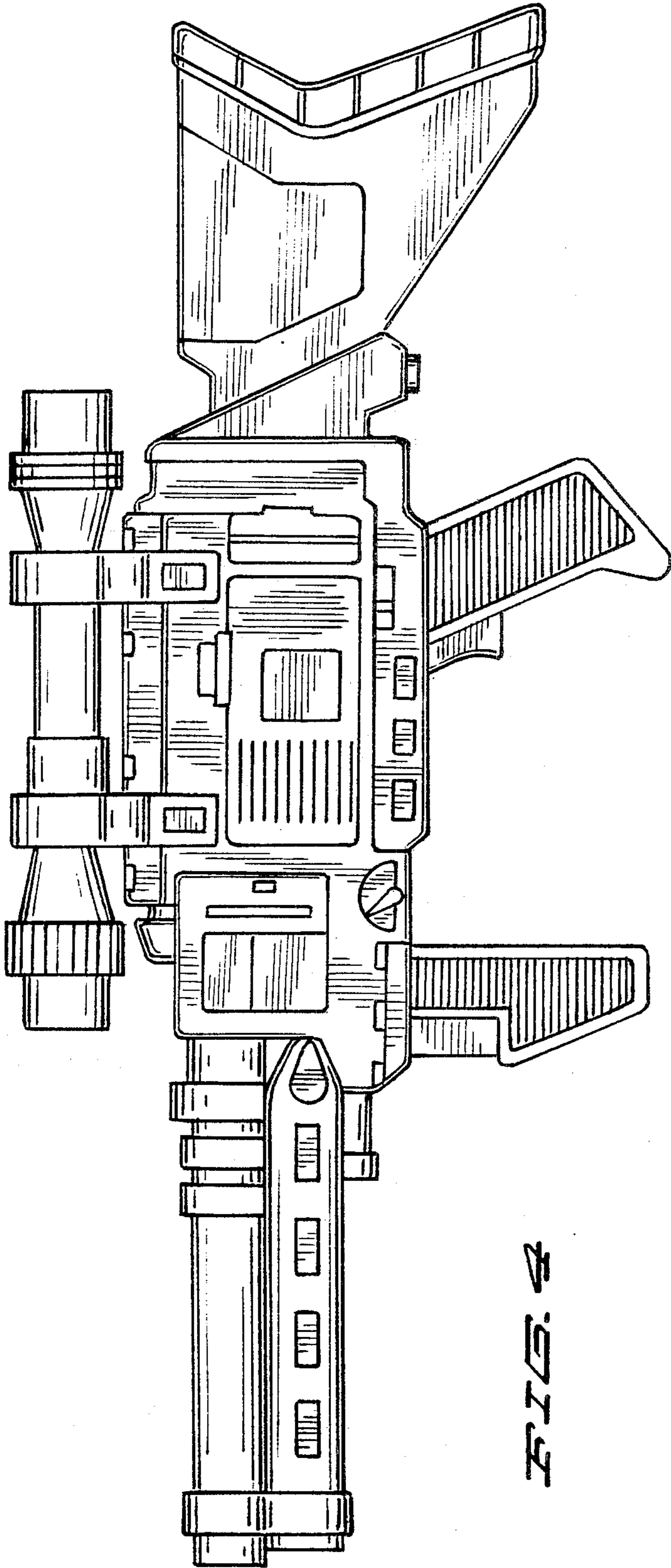


FIG. 1





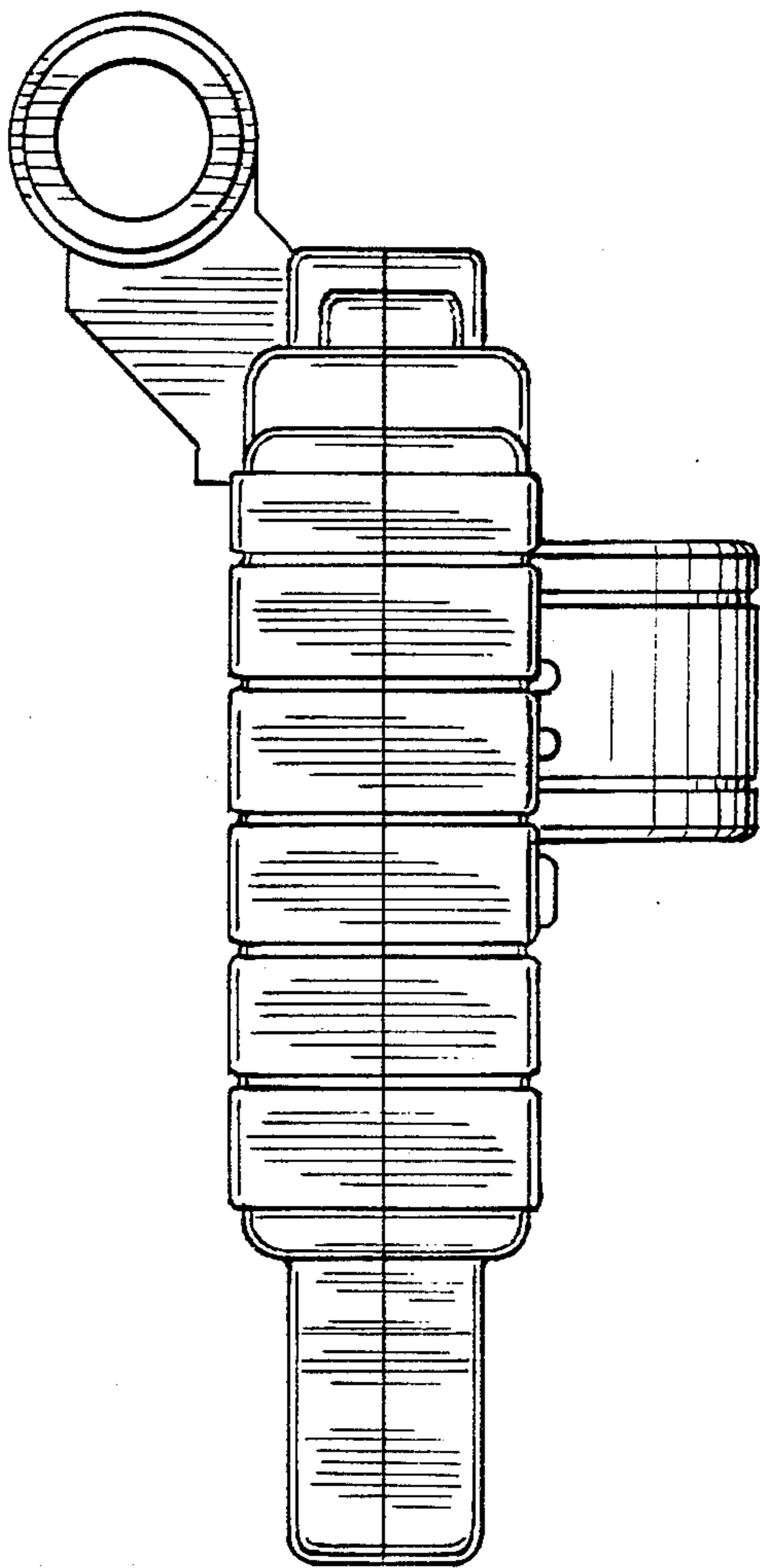


FIG. 6

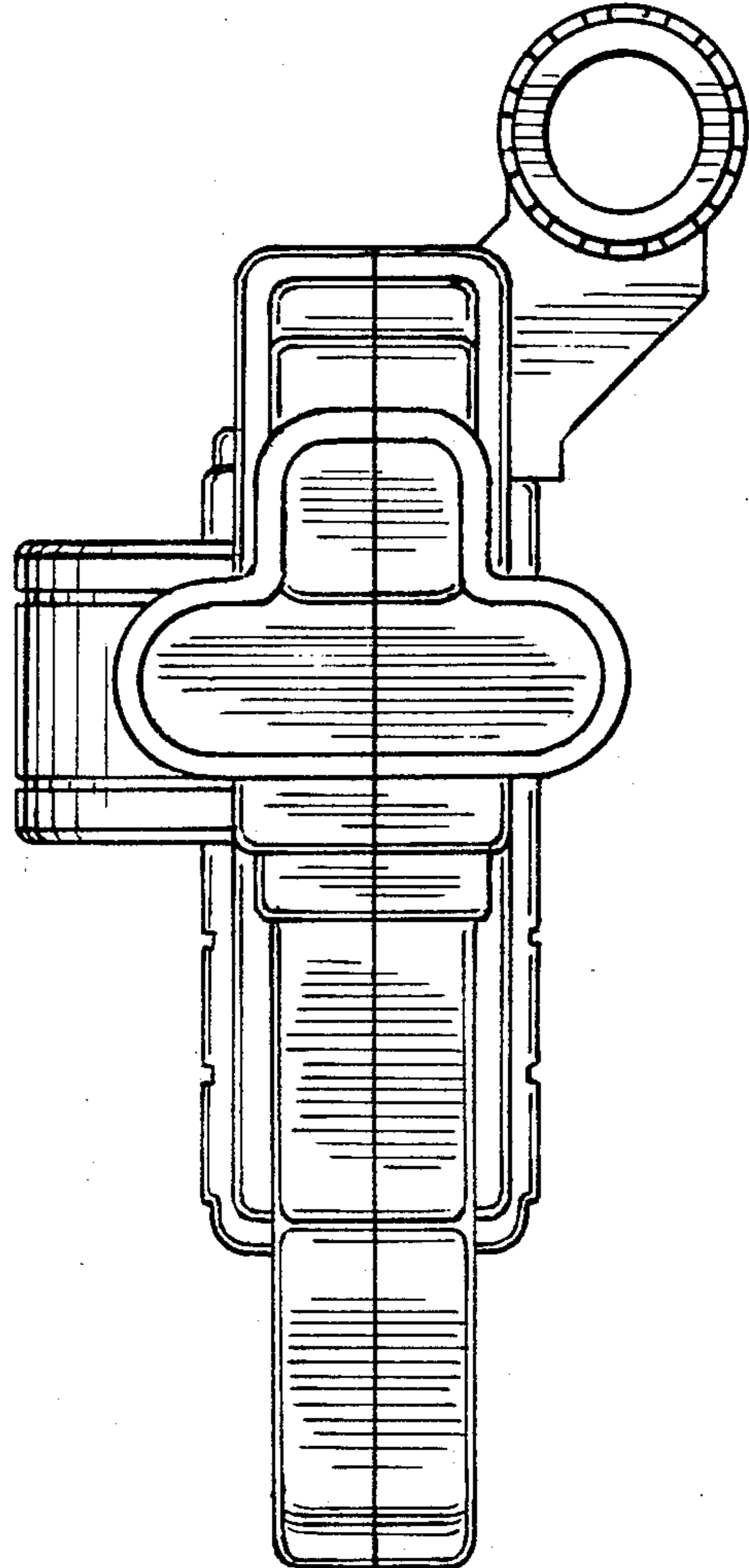


FIG. 7

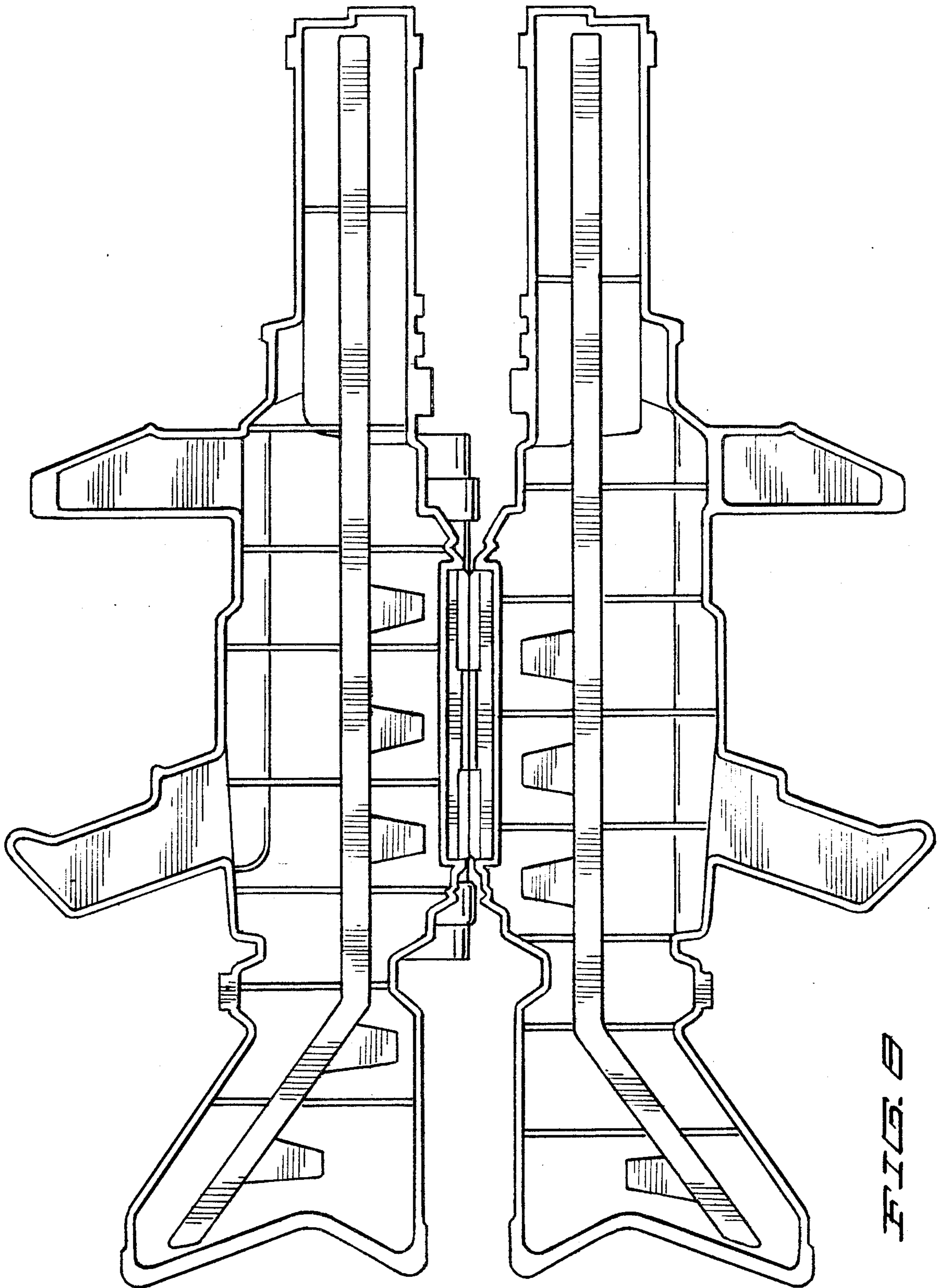


FIG. 8