

United States Patent [19]

Shugar

[11] Patent Number: **Des. 286,302**

[45] Date of Patent: **** Oct. 21, 1986**

[54] **ADJUSTABLE LIBRARY SHELF**

[76] Inventor: **Jenney L. Shugar**, 8818 Croes Dr.,
Houston, Tex. 77055

[**] Term: **14 Years**

[21] Appl. No.: **580,561**

[22] Filed: **Feb. 15, 1984**

[52] U.S. Cl. **D19/34.1; D6/512**

[58] Field of Search **D19/34.1; D6/512;**
211/42, 43; 108/102, 149

[56] **References Cited**

U.S. PATENT DOCUMENTS

- D. 241,295 9/1976 Entin D19/34.1
- D. 262,336 12/1981 Barnstone D19/34.1
- D. 265,743 8/1982 Meyer et al. D6/513

- 1,317,550 9/1919 Cass 108/102
- 1,682,060 8/1928 Banks 211/42
- 2,294,595 9/1942 Dice 211/43
- 2,545,844 3/1951 Cougias 211/43

Primary Examiner—Wallace R. Burke
Assistant Examiner—S. N. Gitlin

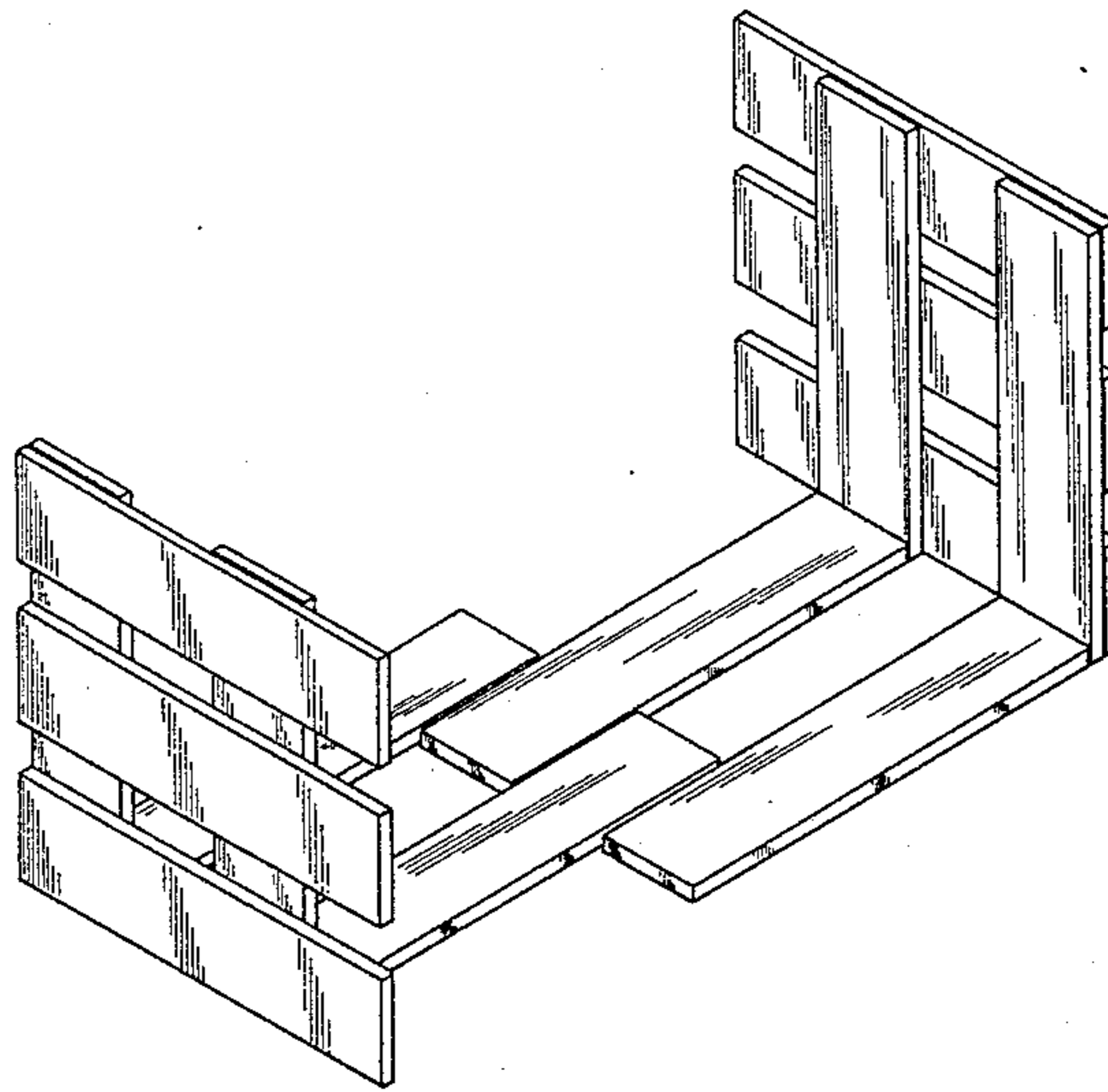
[57] **CLAIM**

The ornamental design for an adjustable library shelf, as shown and described.

DESCRIPTION

The sole FIGURE is a top and left side perspective view of an adjustable library shelf showing my new design;

The undisclosed bottom is plain and unornamented.
The undisclosed right side is identical to that seen in the sole FIGURE.



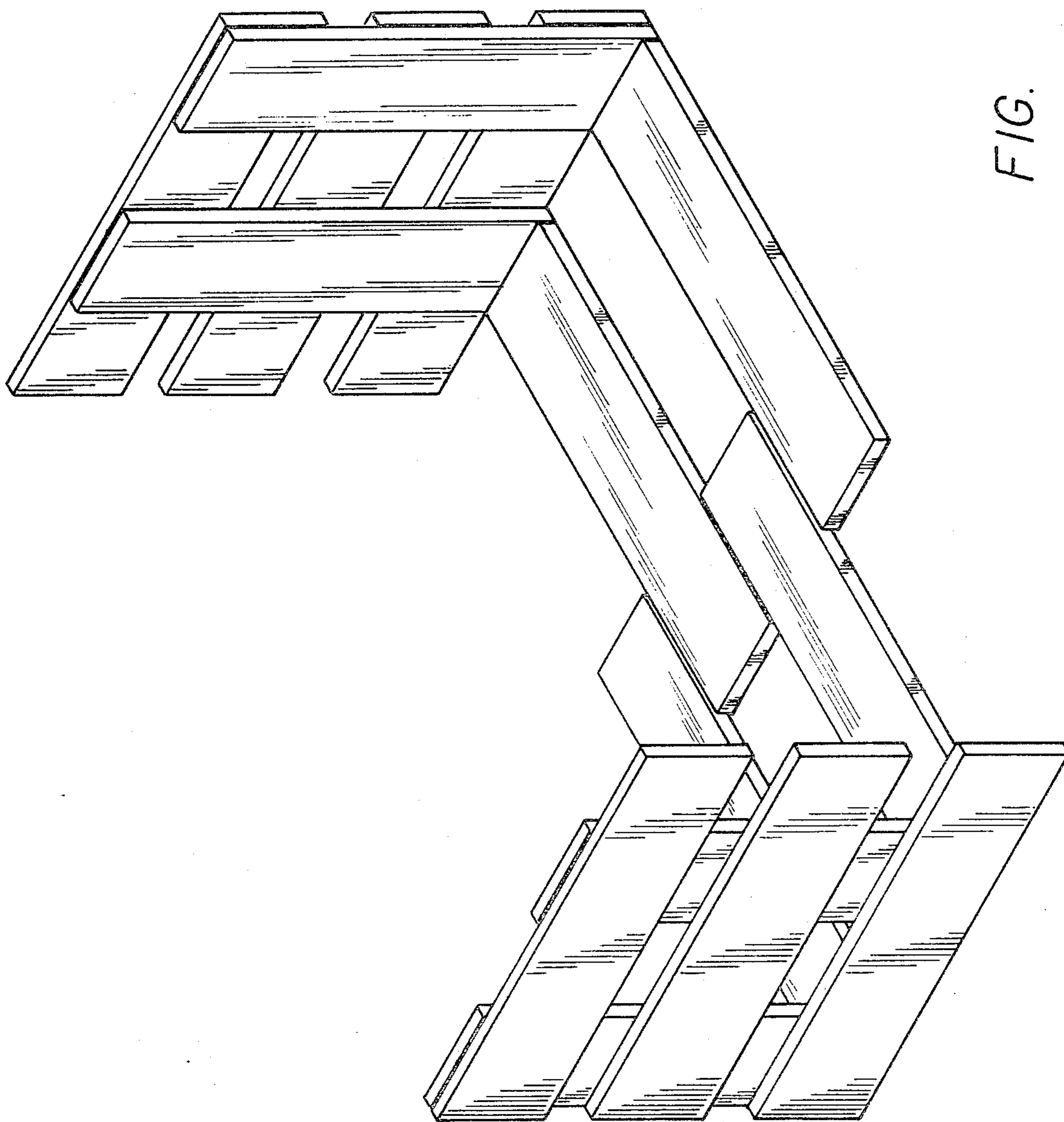


FIG.