

[54] MAILING ENVELOPE

[76] Inventor: Bruce E. Bourgeois, 807 Arlington Cr., Richmond, Va. 23229

[**] Term: 14 Years

[21] Appl. No.: 572,011

[22] Filed: Jan. 19, 1984

[52] U.S. Cl. D19/3

[58] Field of Search D19/3, 2, 4; 229/71, 229/72, 73, 87.5, 92.7, 68 R; 40/152.1, 124.1

[56] References Cited

U.S. PATENT DOCUMENTS

D. 230,772	3/1974	Eun-Sook Yong	D19/4
D. 268,117	3/1983	Solomon	D19/3
45,301	11/1864	Shepard	229/68 R
349,188	9/1886	Trum	229/75
1,060,431	4/1913	Dague	229/68 R
1,371,670	3/1921	Dority et al.	229/68 R
1,994,393	3/1935	Hopkins	229/68 R
2,085,496	6/1937	Guichard	229/68
2,268,795	1/1942	Berkowitz	229/72
3,537,637	11/1970	Hiersteiner	229/73

3,558,040	1/1971	Krueger	229/68 R
4,294,400	10/1981	Gendron	229/68 R
4,308,987	1/1982	Solomon	229/71
4,535,930	8/1985	Ward	229/71

FOREIGN PATENT DOCUMENTS

656374	5/1929	France	229/72
--------	--------	--------	-------	--------

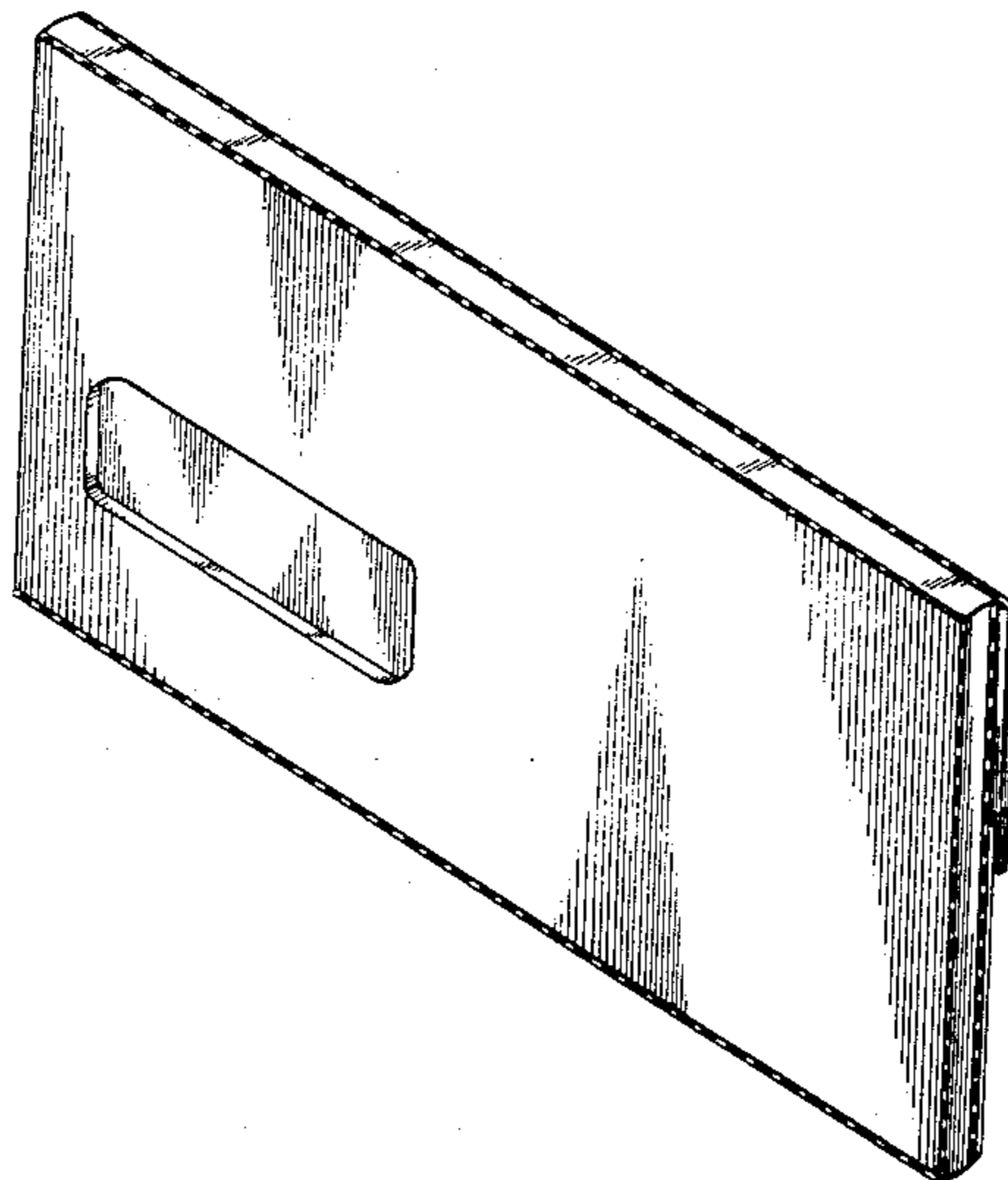
Primary Examiner—Bernard Ansher
Assistant Examiner—Theodore M. Shooman
Attorney, Agent, or Firm—Norman B. Rainer

[57] CLAIM

The ornamental design for a mailing envelope, substantially as shown and described.

DESCRIPTION

FIG. 1 is a front perspective view of a mailing envelope showing my new design;
FIG. 2 is a rear elevational view thereof;
FIG. 3 is a rear elevational view showing the flap in an open condition;
FIG. 4 is a top plan view thereof showing the flap in an open condition; and
FIG. 5 is an end view elevation of FIG. 1, the opposite side being identical to the side shown.



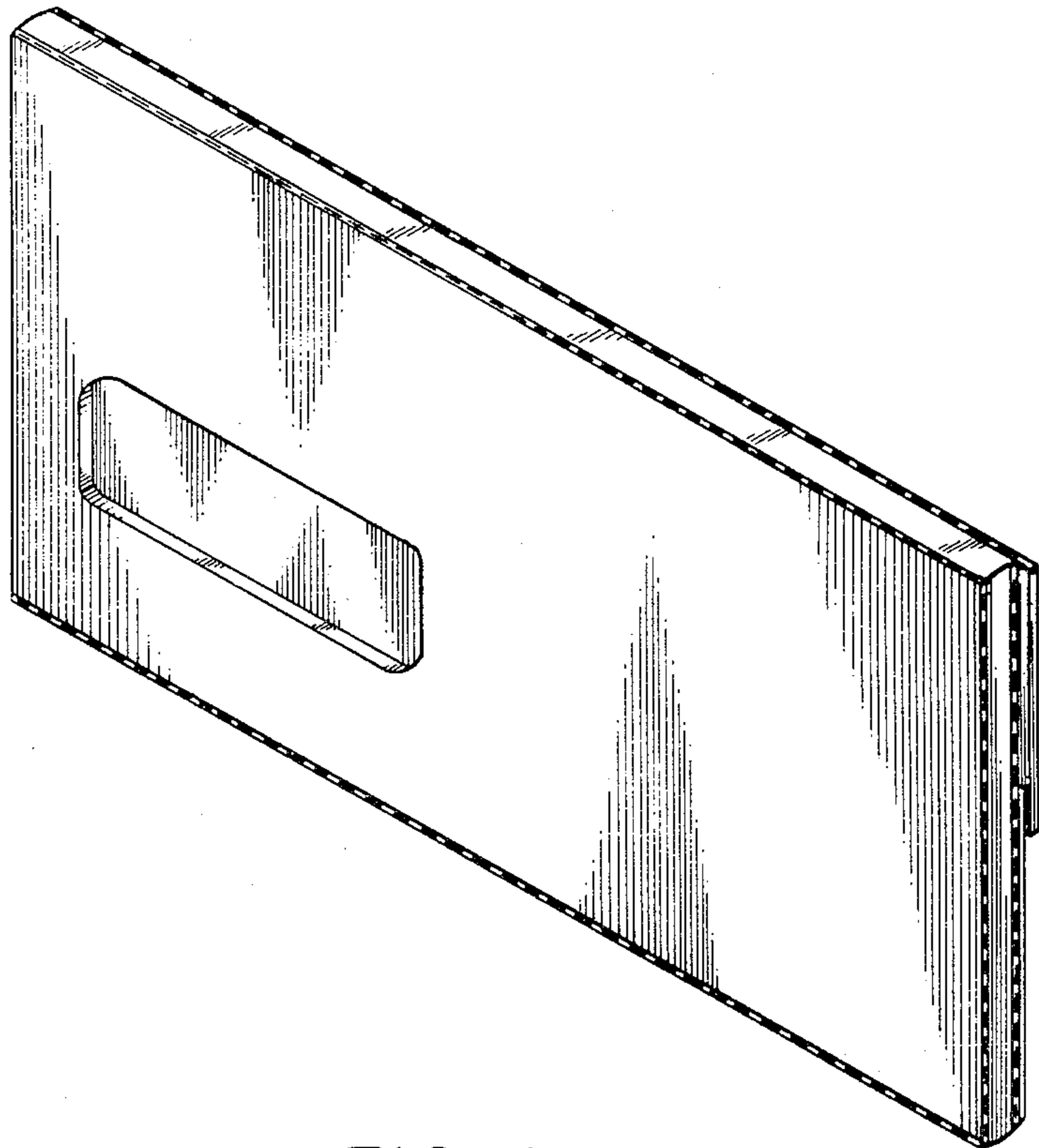


FIG. 1

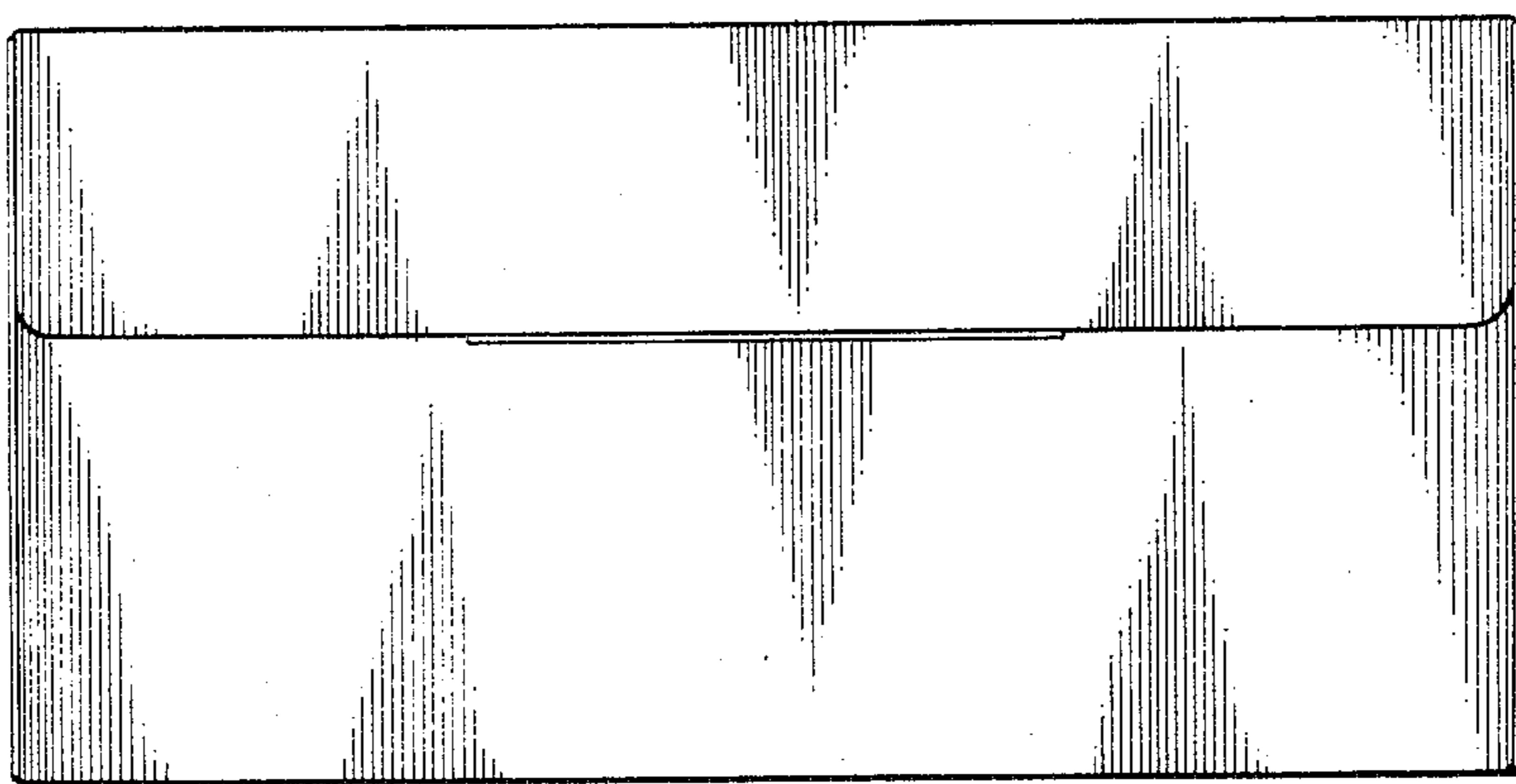


FIG. 2

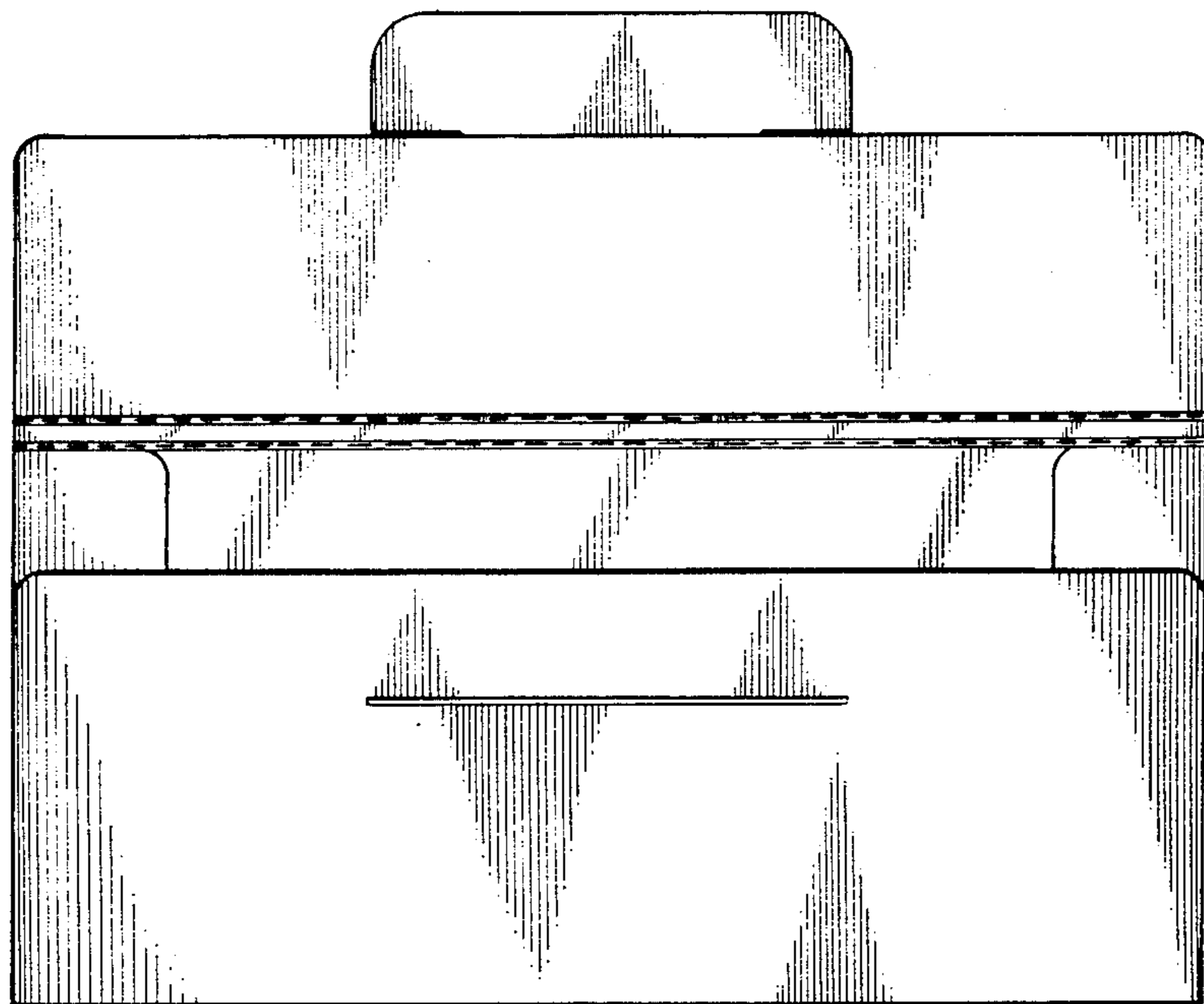


FIG. 3

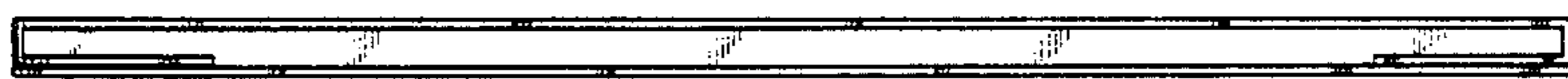


FIG. 4

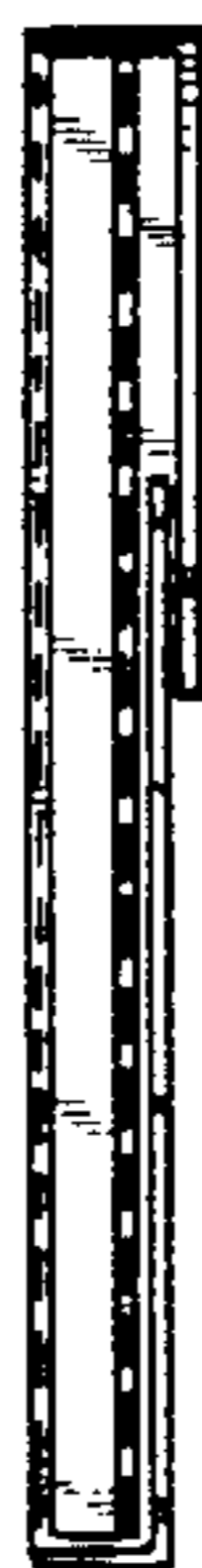


FIG. 5