

[54] OFFICE COPIER PROCESSING CARTRIDGE

4,432,632	2/1984	Yokota	355/3 R X
4,530,588	7/1985	Kimura	355/3 DR
4,540,268	9/1985	Toyono	355/3 DR X
4,551,000	11/1985	Kanemitsu	355/3 DR X

[75] Inventors: Robert A. Clowe, Penfield, N.Y.;
Robert L. Gault, Raleigh, N.C.

[73] Assignee: Xerox Corporation, Stamford, Conn.

Primary Examiner—Nelson C. Holtje

[**] Term: 14 Years

[57] CLAIM

[21] Appl. No.: 614,217

The ornamental design for an office copier processing cartridge, substantially as shown.

[22] Filed: May 25, 1984

[52] U.S. Cl. D16/32

DESCRIPTION

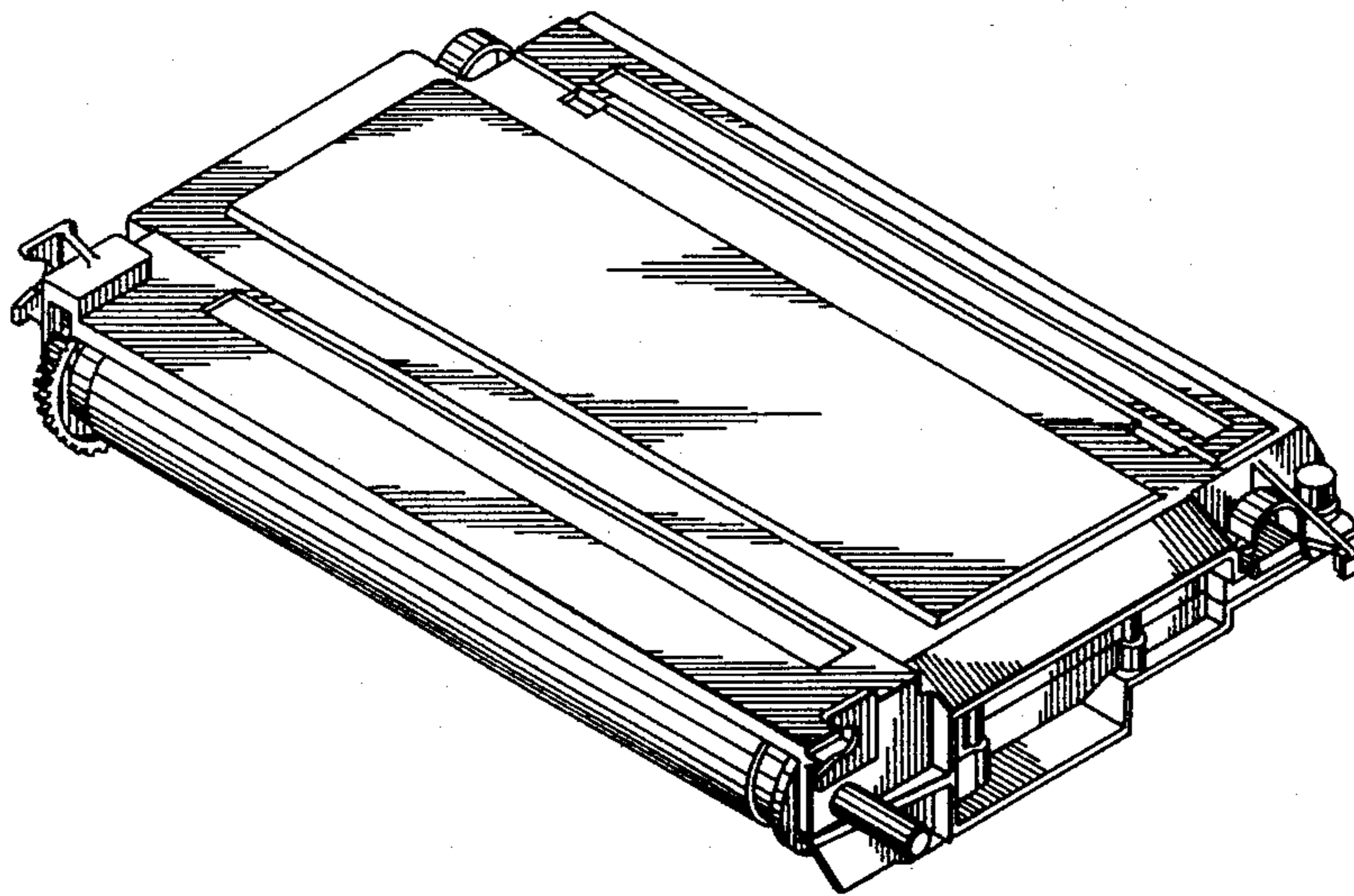
[58] Field of Search D16/27-32;
D14/110; 355/3 R, 3 DR, 3 DD, 109, 127, 129,
131, 138

FIG. 1 is a front perspective view of an office copier processing cartridge showing our new design;
FIG. 2 is a top plan view thereof;
FIG. 3 is a bottom view thereof;
FIG. 4 is a front elevational view thereof;
FIG. 5 is a back elevational view thereof;
FIG. 6 is a left side elevational view thereof;
FIG. 7 is a right side elevational view thereof.

[56] References Cited

U.S. PATENT DOCUMENTS

D. 276,916	12/1984	Masaki	D16/32
4,277,162	7/1981	Kasahara	355/3 R X



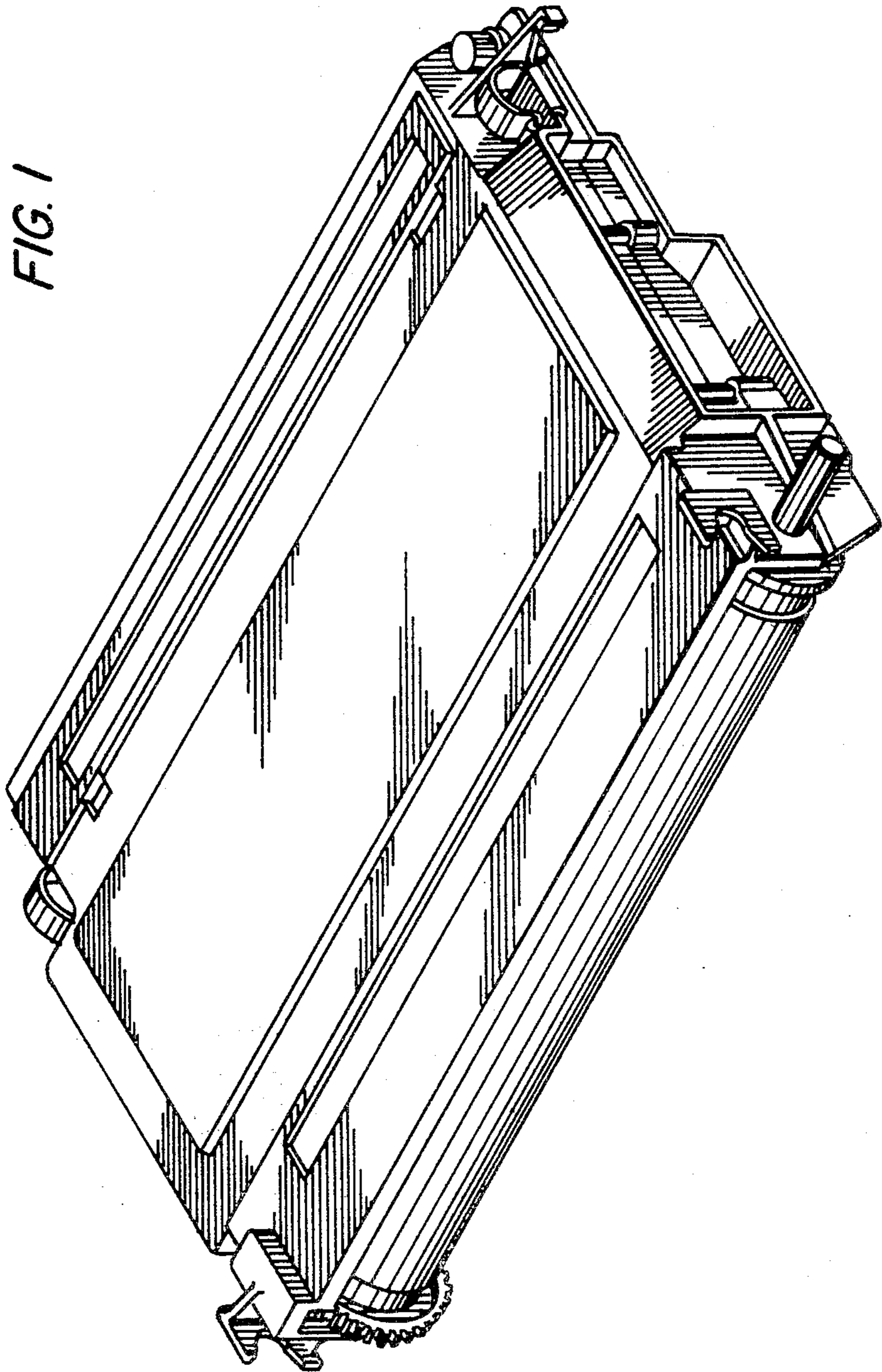


FIG. 2

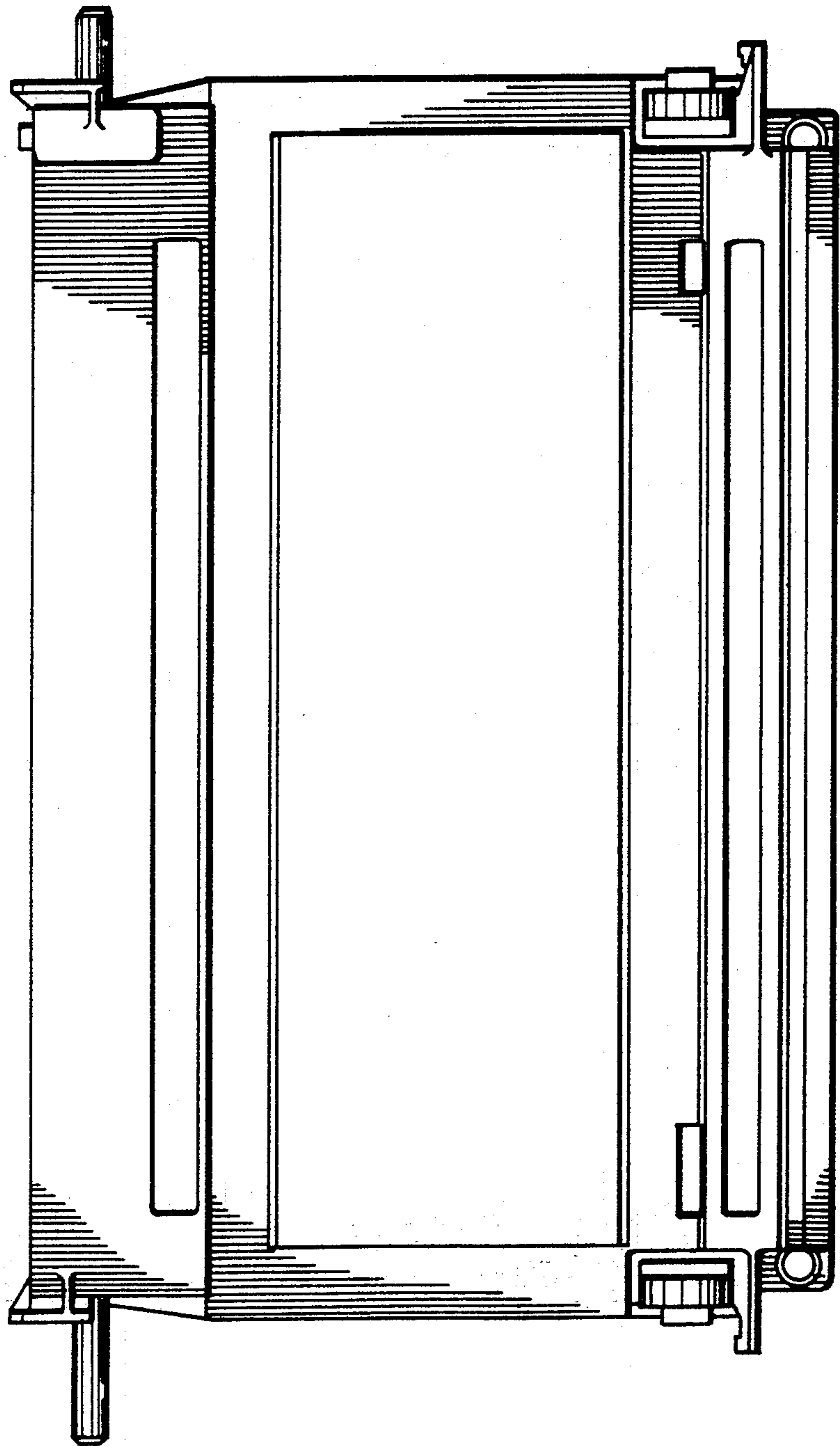


FIG. 3

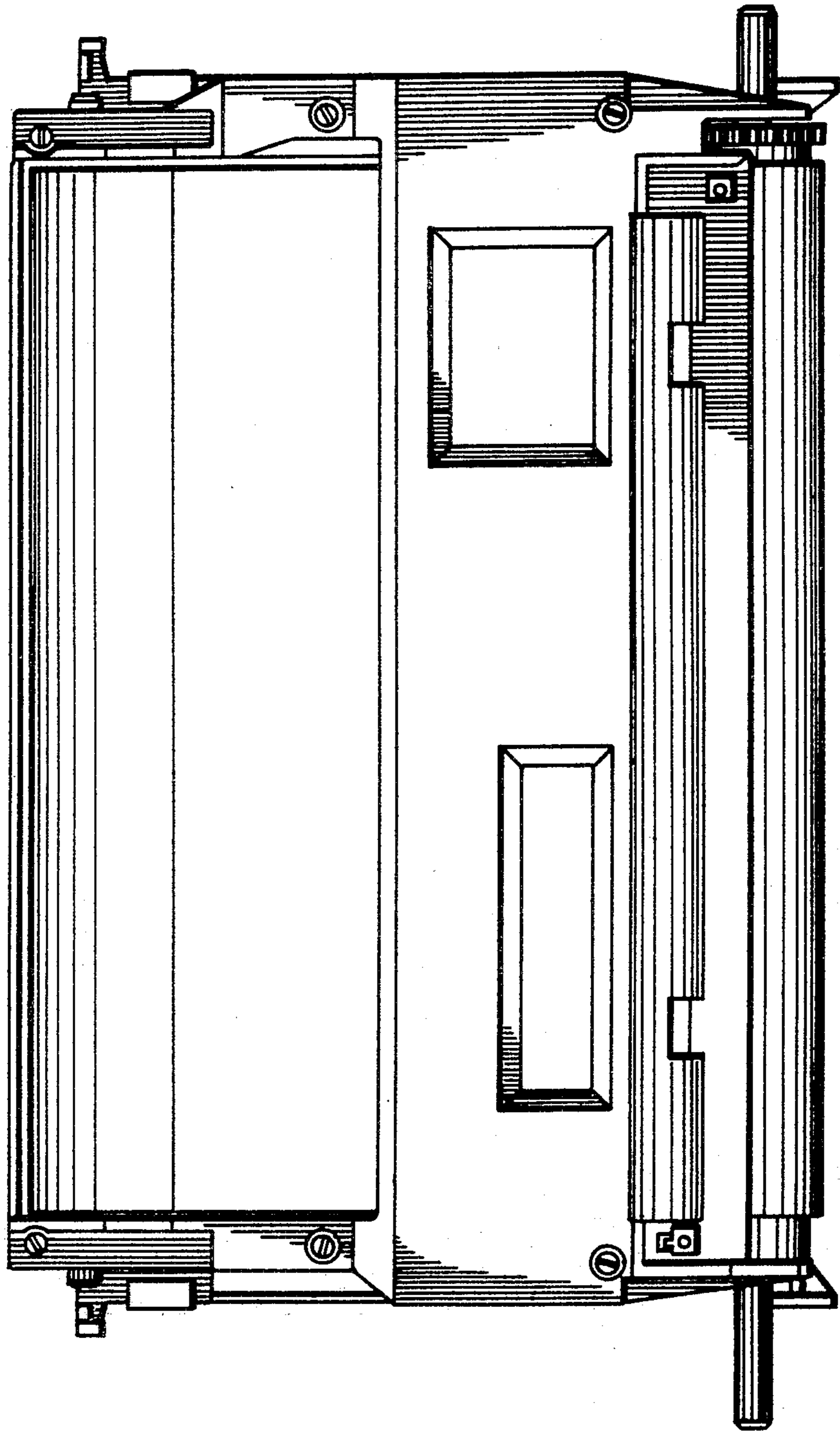


FIG. 4

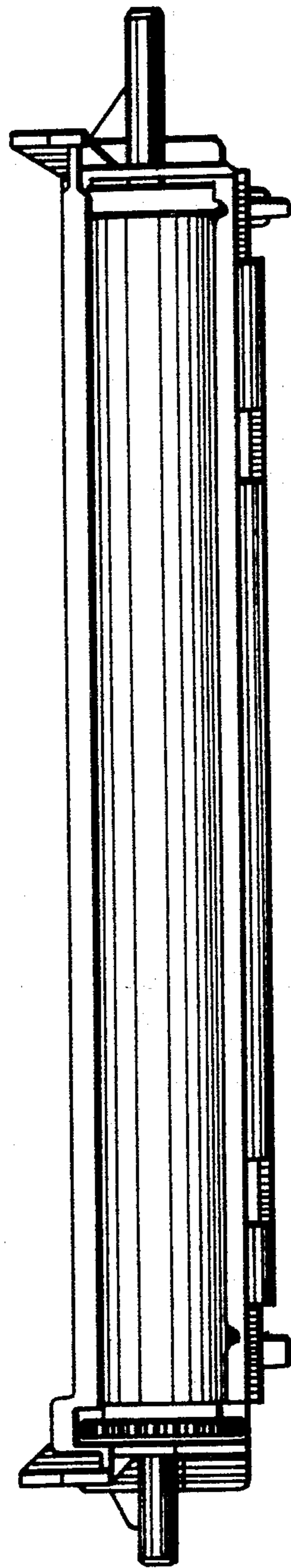


FIG. 5

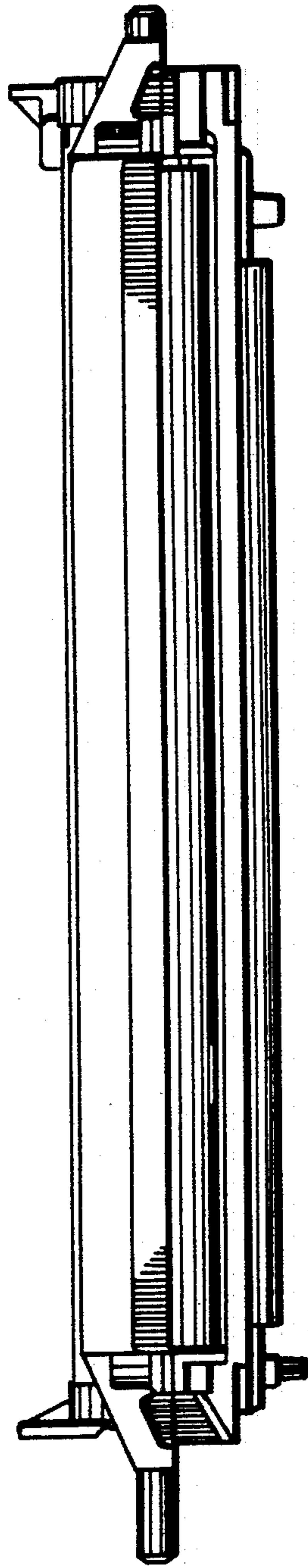


FIG. 6

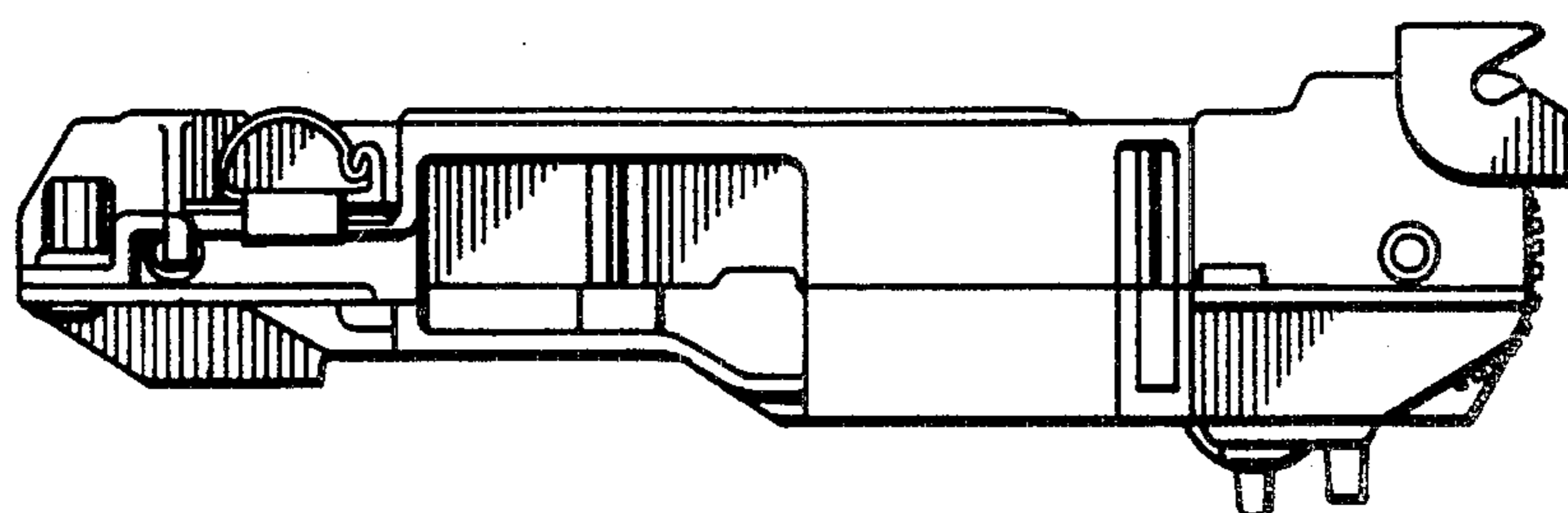


FIG. 7

