

[54] ELECTRONIC COPYING MACHINE

[75] Inventors: Kunio Hara, Chiba; Tooru Okuyama, Isehara, both of Japan

[73] Assignee: Kabushiki Kaisha Toshiba, Japan

[**] Term: 14 Years

[21] Appl. No.: 602,128

[22] Filed: Apr. 19, 1984

[30] Foreign Application Priority Data

Oct. 19, 1983 [JP] Japan 58-45036

[52] U.S. Cl. D16/31; D14/94; D16/32

[58] Field of Search D16/27-32; 355/3 R, 3 SH, 5 SH-14 SH, 18-19, 51, 54-55, 64-65; 358/286, 256, 285

[56] References Cited

U.S. PATENT DOCUMENTS

- D. 205,558 8/1966 Grimm D16/31
- D. 251,594 4/1979 Hara D16/31
- D. 251,595 4/1979 Hara D16/31
- D. 266,169 9/1982 Vasutani D16/31
- D. 266,252 9/1982 Sumi D16/27

- D. 267,878 2/1983 Hosogai D14/94
- D. 279,780 7/1985 Nishiwaki D14/94

OTHER PUBLICATIONS

Catalogue of Color Hard Copy, CHC-30 Series, Shinko Electric Co., Ltd.

Primary Examiner—Nelson C. Holtje
Attorney, Agent, or Firm—Finnegan, Henderson, Farabow, Garrett & Dunner

[57] CLAIM

The ornamental design for an electronic copying machine, substantially as shown.

DESCRIPTION

FIG. 1 is a front, top and right side perspective view of an electronic copying machine showing our new design;

FIG. 2 is a front elevational view thereof;

FIG. 3 is a right side elevational view thereof;

FIG. 4 is a left side elevational view thereof;

FIG. 5 is a top plan view thereof;

FIG. 6 is a rear elevational view thereof; and

FIG. 7 is a perspective view like FIG. 1, the broken line showing of a scanner is environmental only and forms no part of the claimed design.

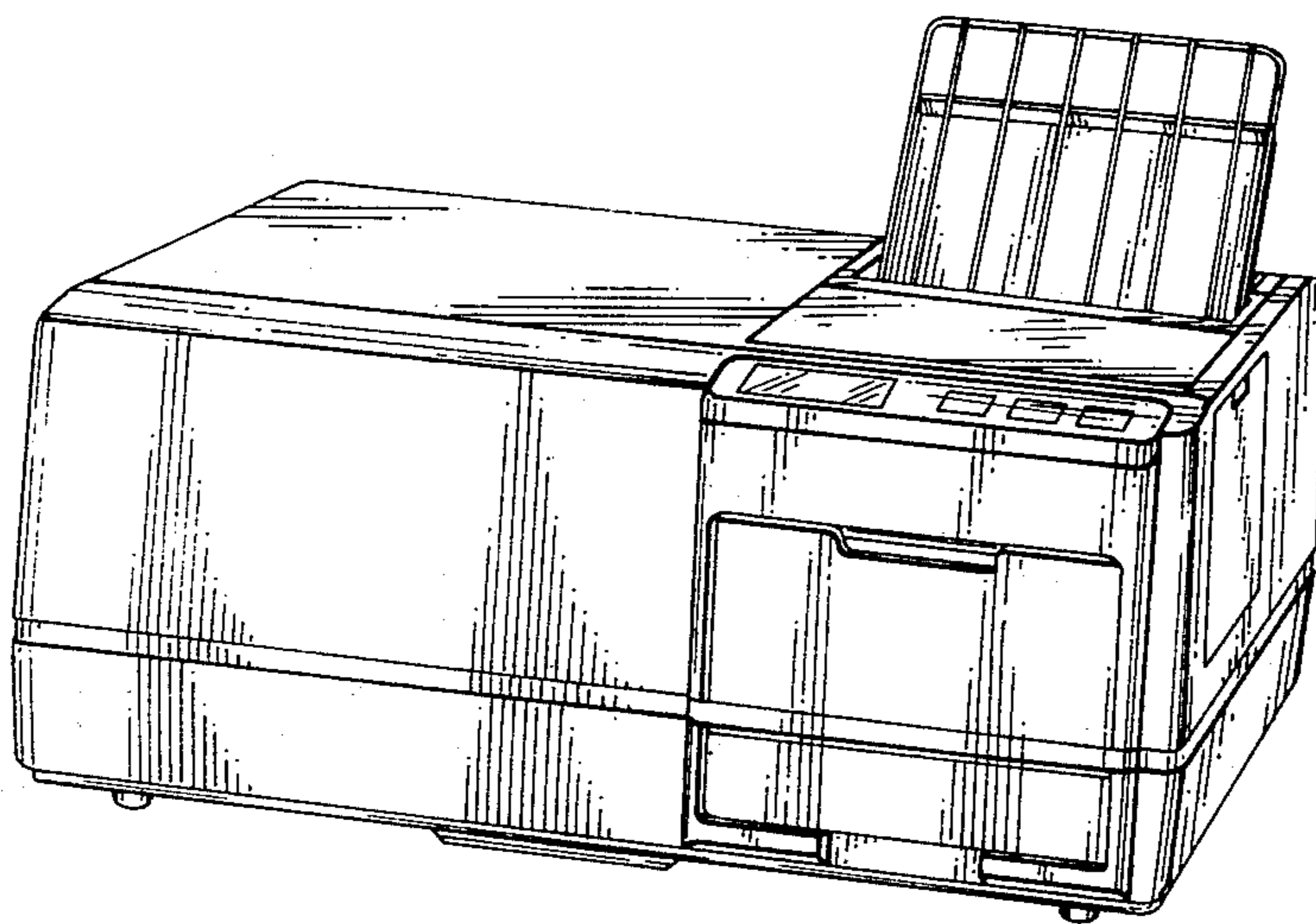


FIG. 1

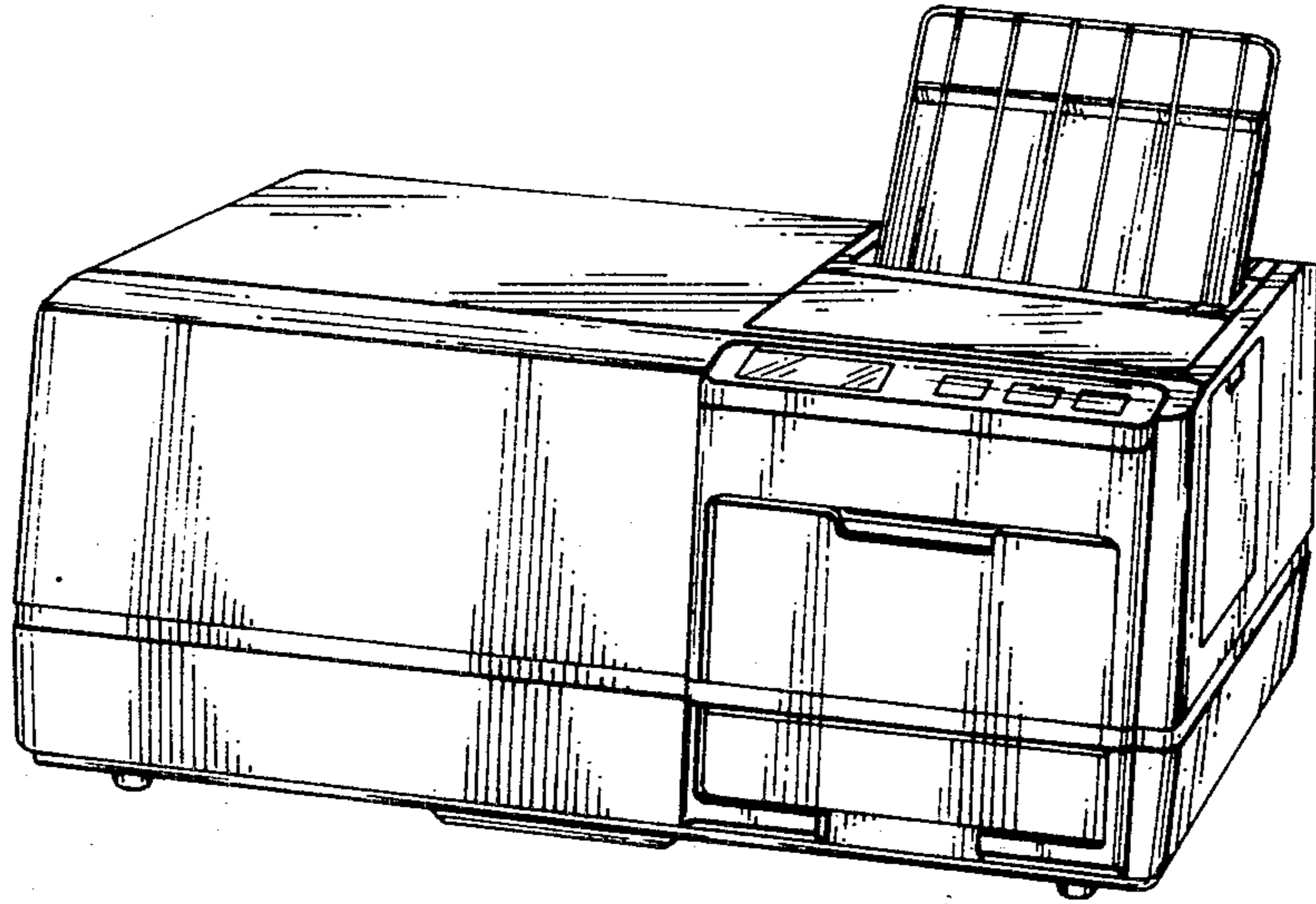


FIG. 2

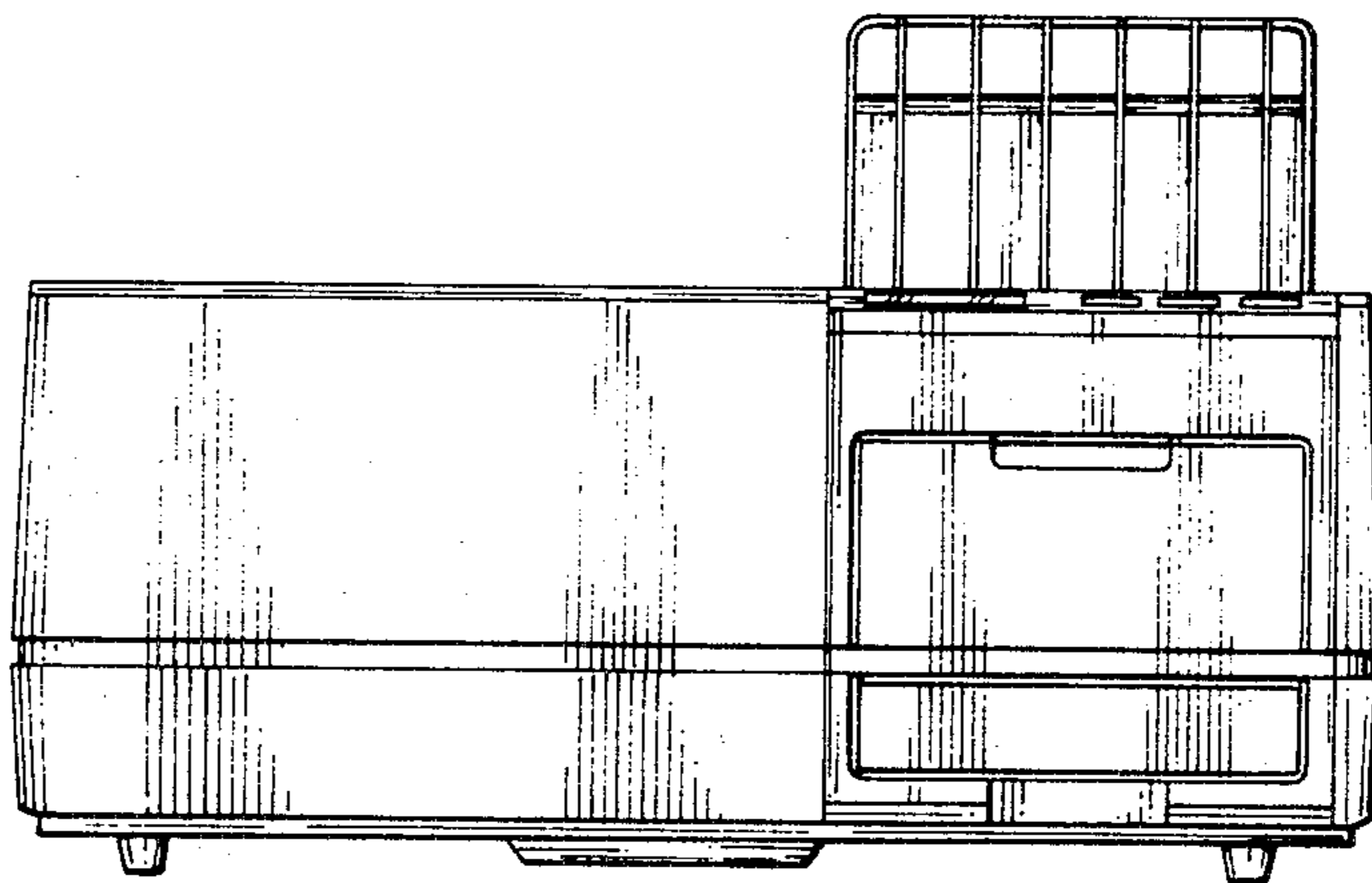


FIG. 3

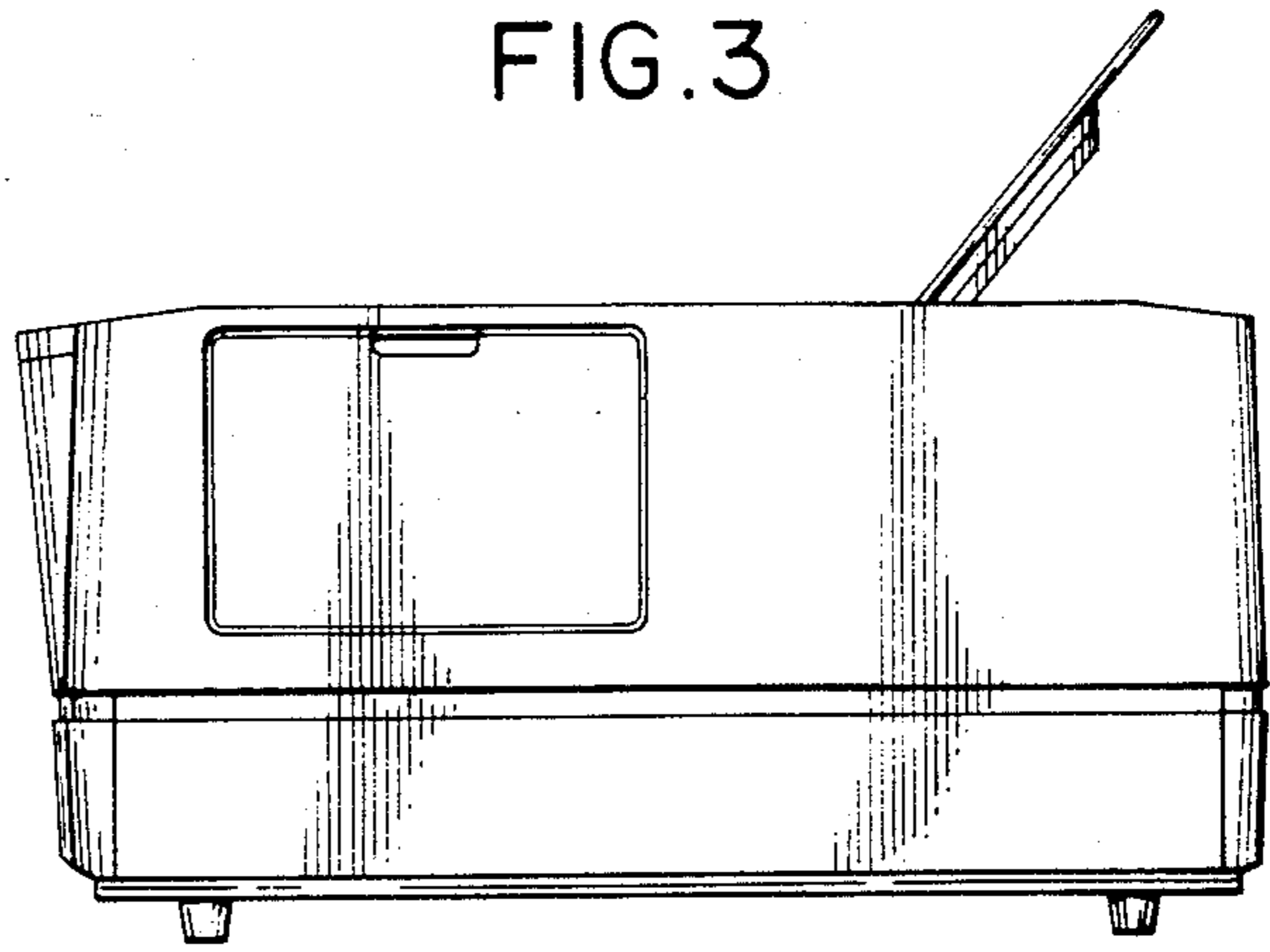


FIG. 4

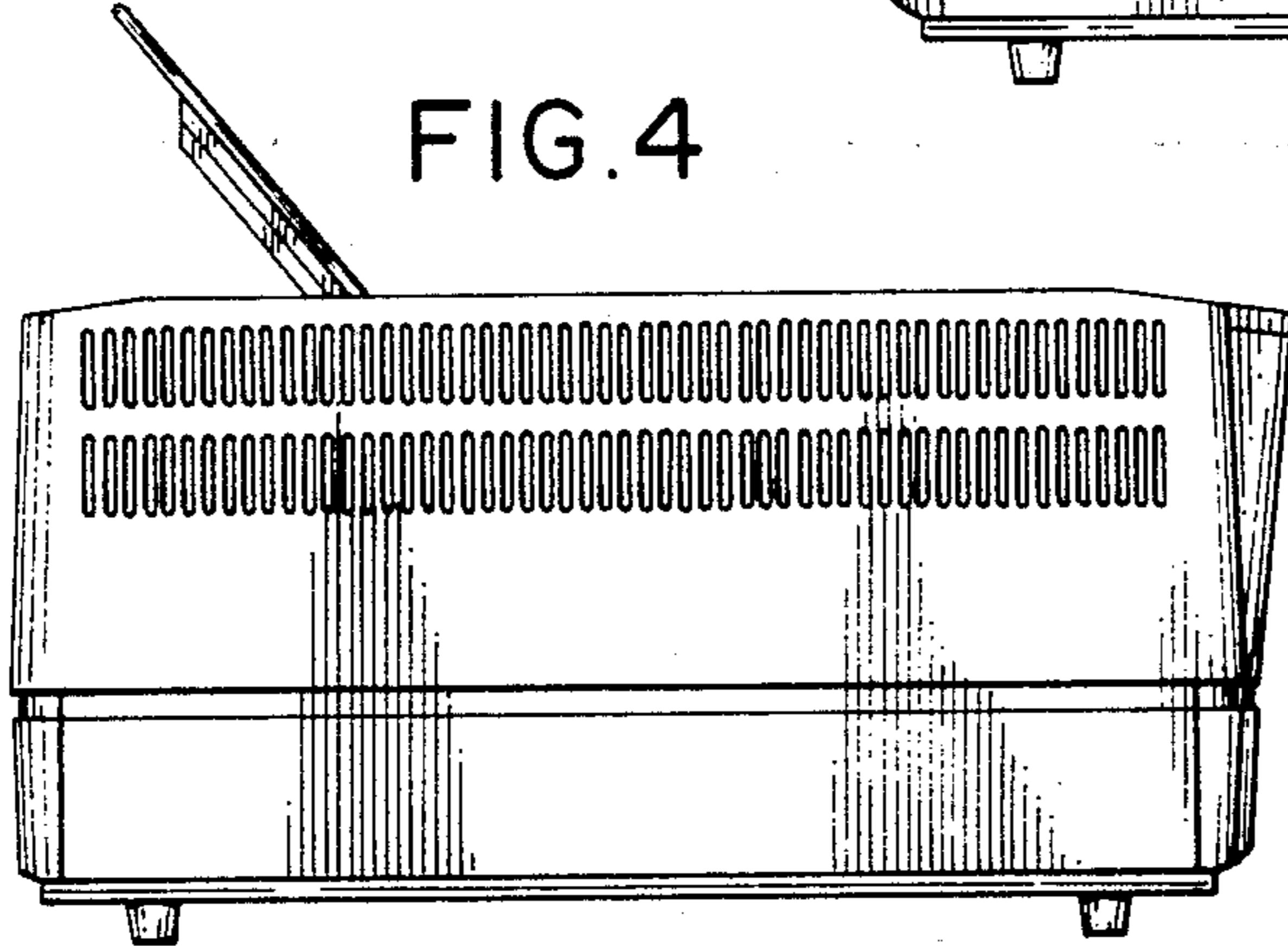


FIG. 5

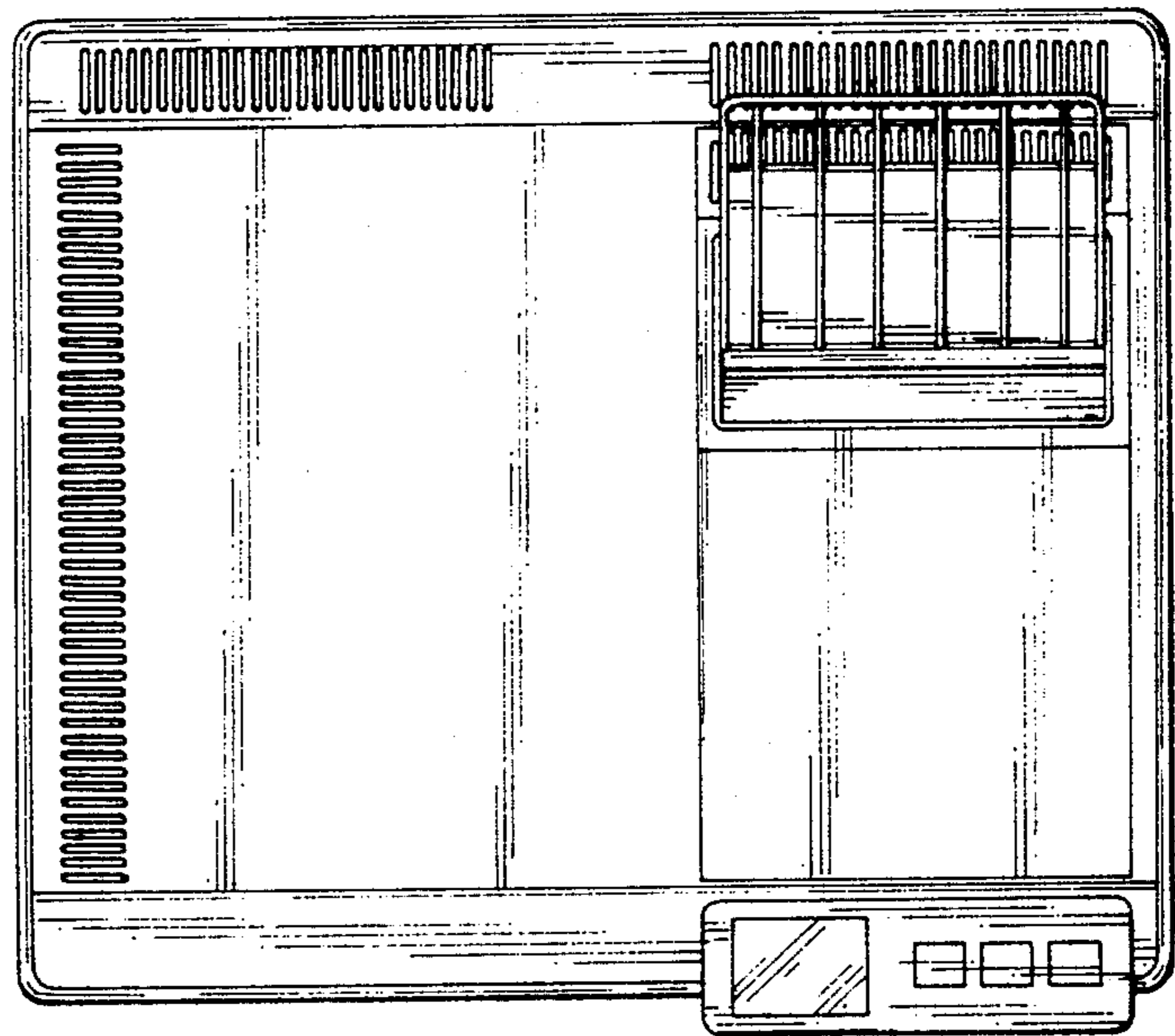


FIG. 6

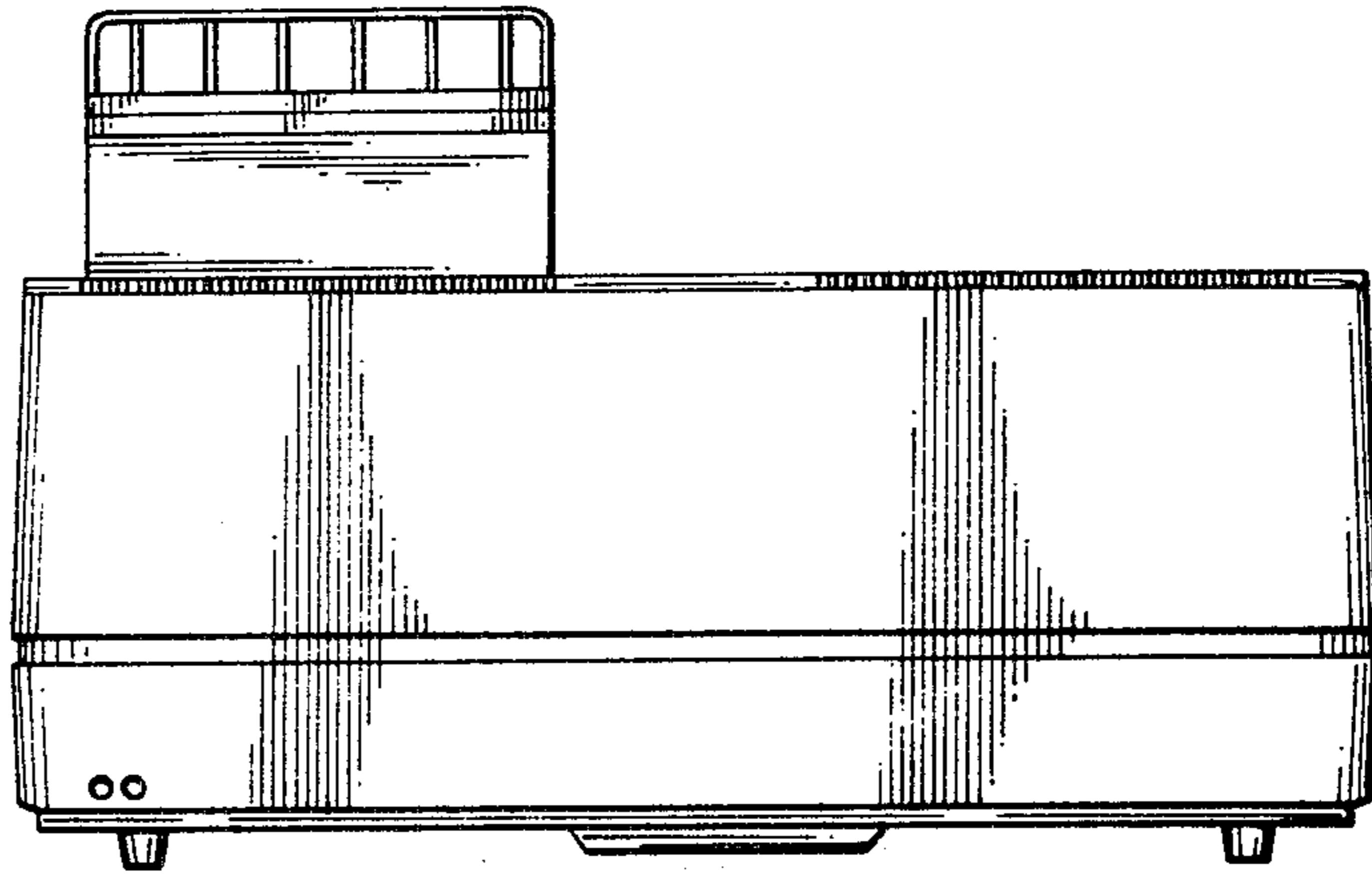


FIG. 7

