

[54] MACHINE USED FOR DRILLING, TAPPING AND MILLING, AND HAVING AN AUTOMATIC TOOL CHANGING SYSTEM

D. 266,851 11/1982 Wada et al. .... D15/127  
D. 277,679 2/1985 Kitamura ..... D15/127  
3,052,011 9/1962 Brainard et al. .... D15/127  
3,830,584 8/1974 Ohlig et al. .... 29/40  
4,443,929 4/1984 Bayer et al. .... D15/127

[75] Inventor: Kazuo Itoh, Aichi, Japan

Primary Examiner—B. J. Bullock  
Attorney, Agent, or Firm—Moonray Kojima

[73] Assignee: brother Kogyo Kabushiki Kaisha, Nagoya, Japan

[\*\*] Term: 14 Years

[57] CLAIM

[21] Appl. No.: 644,538

The ornamental design for a machine used for drilling, tapping and milling, and having an automatic tool changing system, as shown and described.

[22] Filed: Aug. 27, 1984

[30] Foreign Application Priority Data

DESCRIPTION

Feb. 29, 1984 [JP] Japan ..... 59-7699

[52] U.S. Cl. .... D15/132; D15/122; D15/121; D15/131

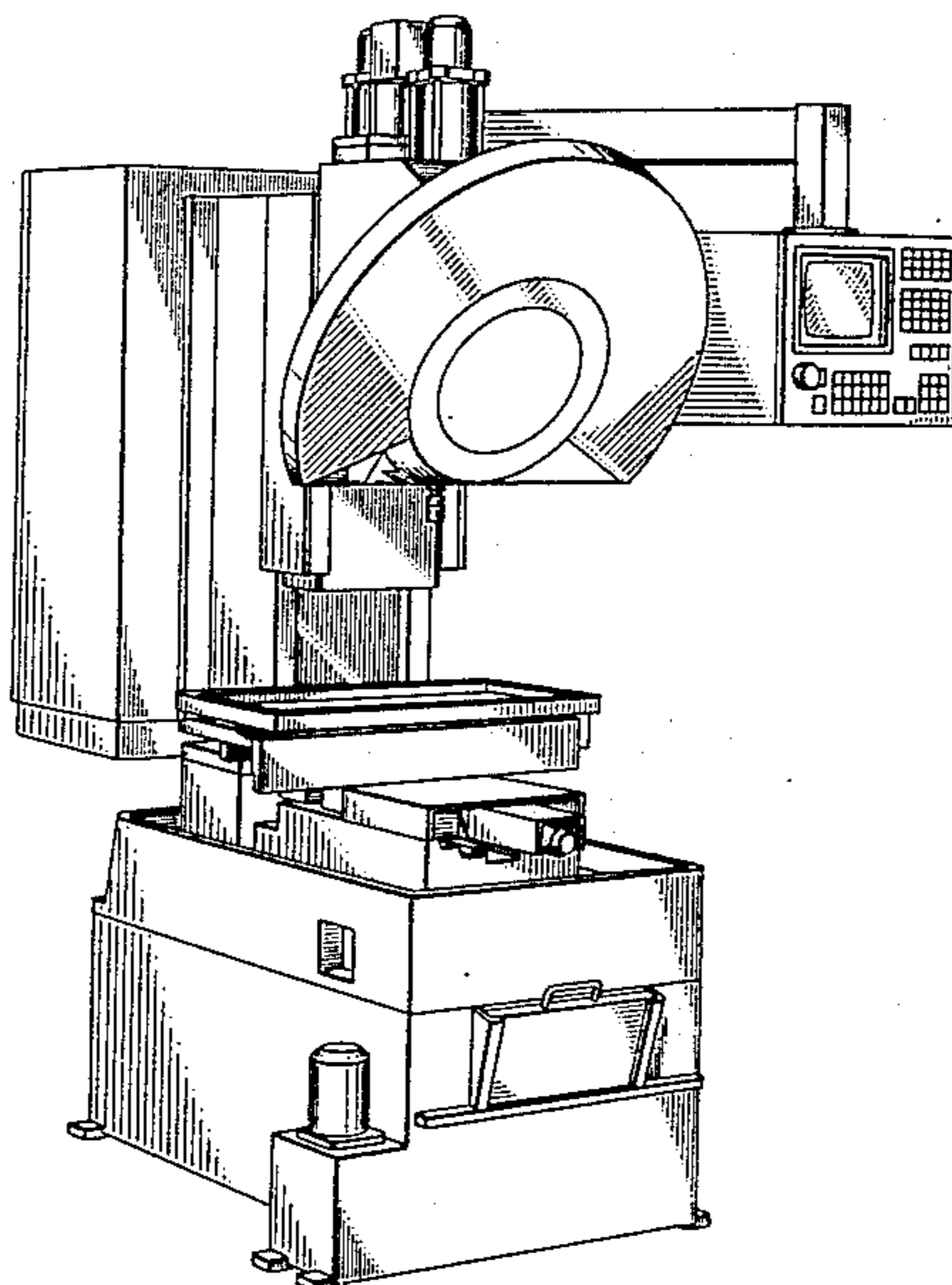
[58] Field of Search ..... D15/122, 127, 130, 131, D15/132; 29/29, 565, 568

FIG. 1 is a front elevational view of a machine used for drilling, tapping and milling, and having an automatic tool changing system showing my new design; FIG. 2 is a rear elevational view thereof; FIG. 3 is a left side end elevational view thereof; FIG. 4 is a right side end elevational view thereof; FIG. 5 is a top plan view thereof; and FIG. 6 is a front, top and left side perspective view thereof.

[56] References Cited

U.S. PATENT DOCUMENTS

D. 243,972 4/1977 Kucyna et al. .... D15/131



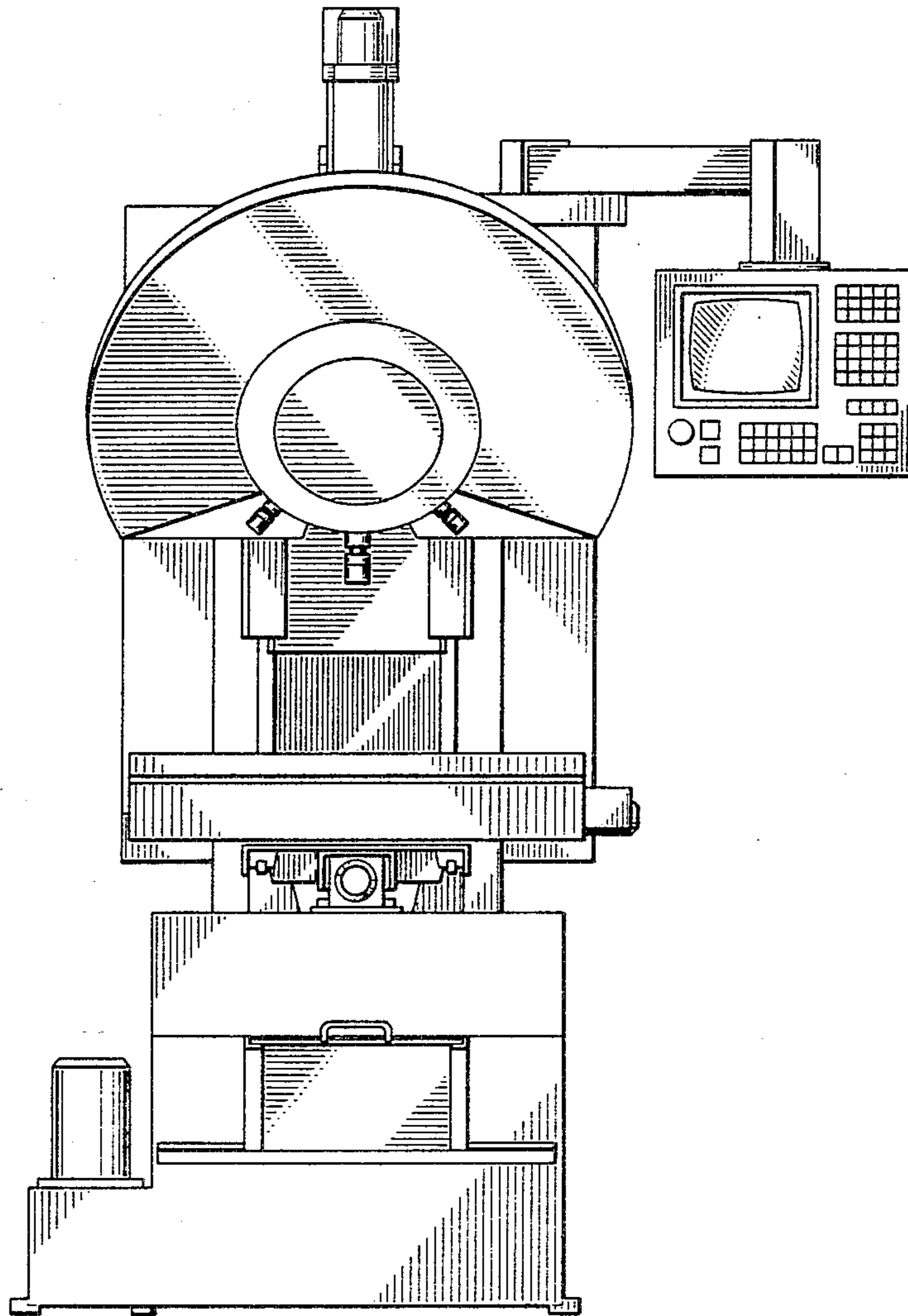


Fig. 1

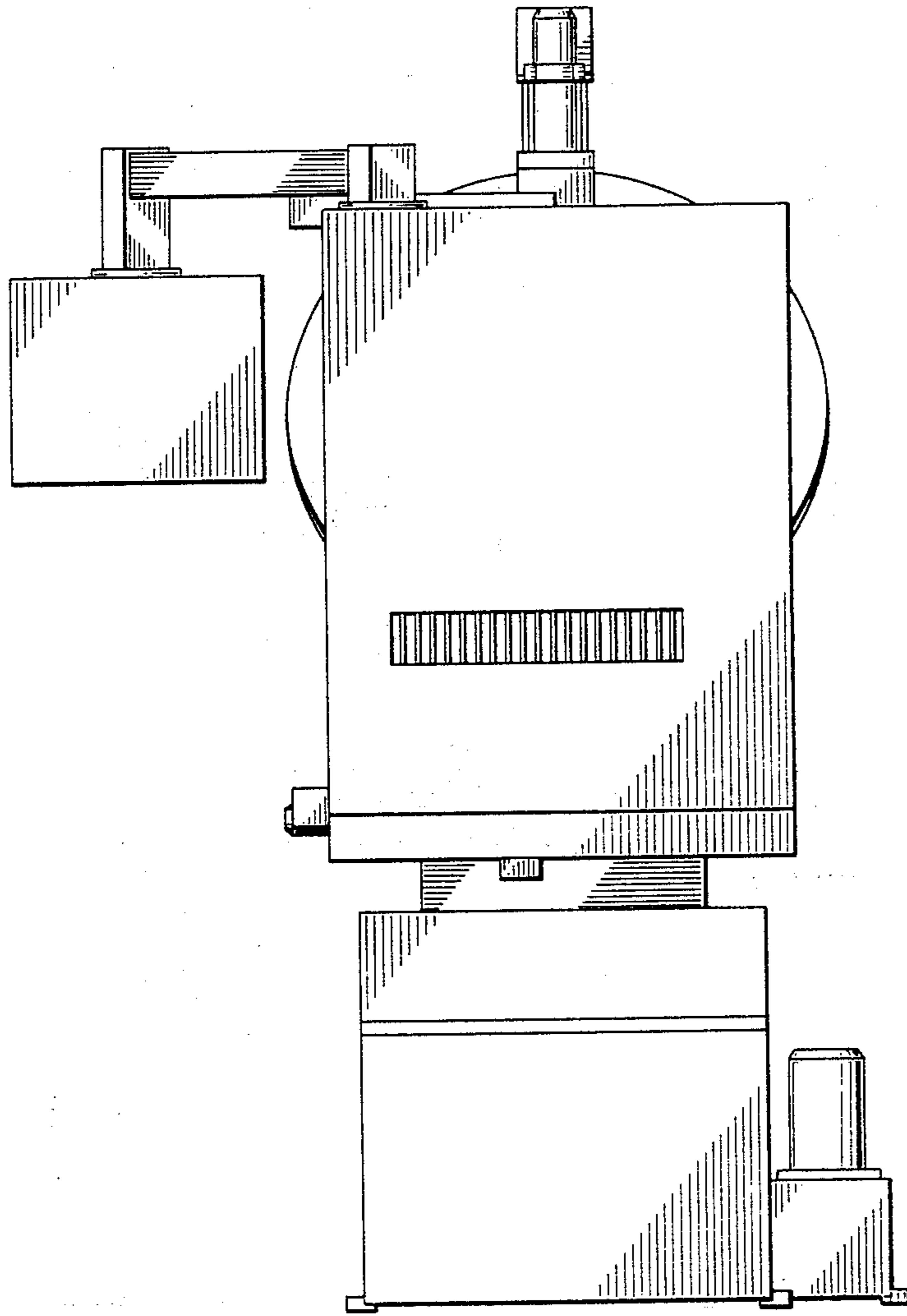


Fig. 2

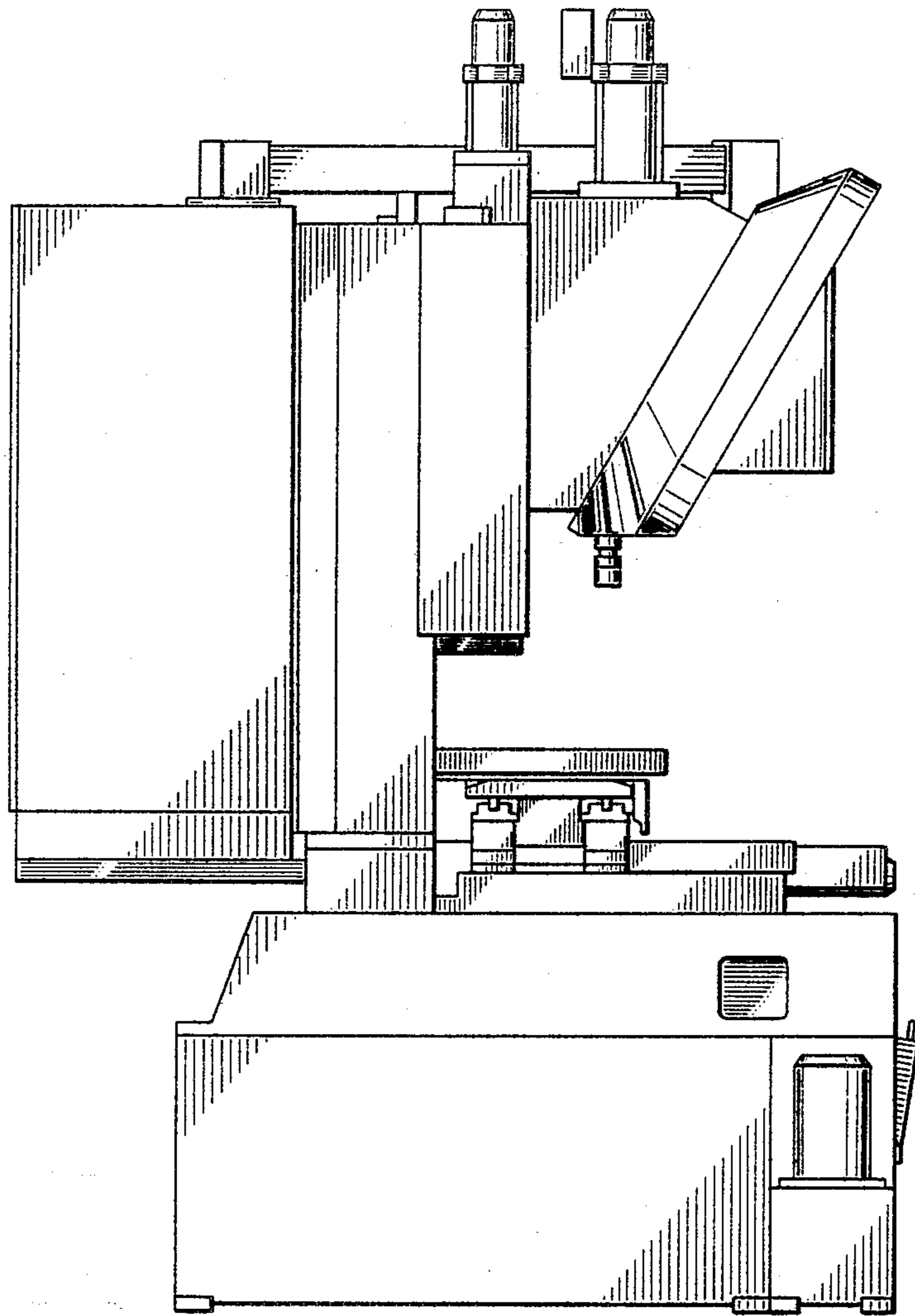


Fig. 3

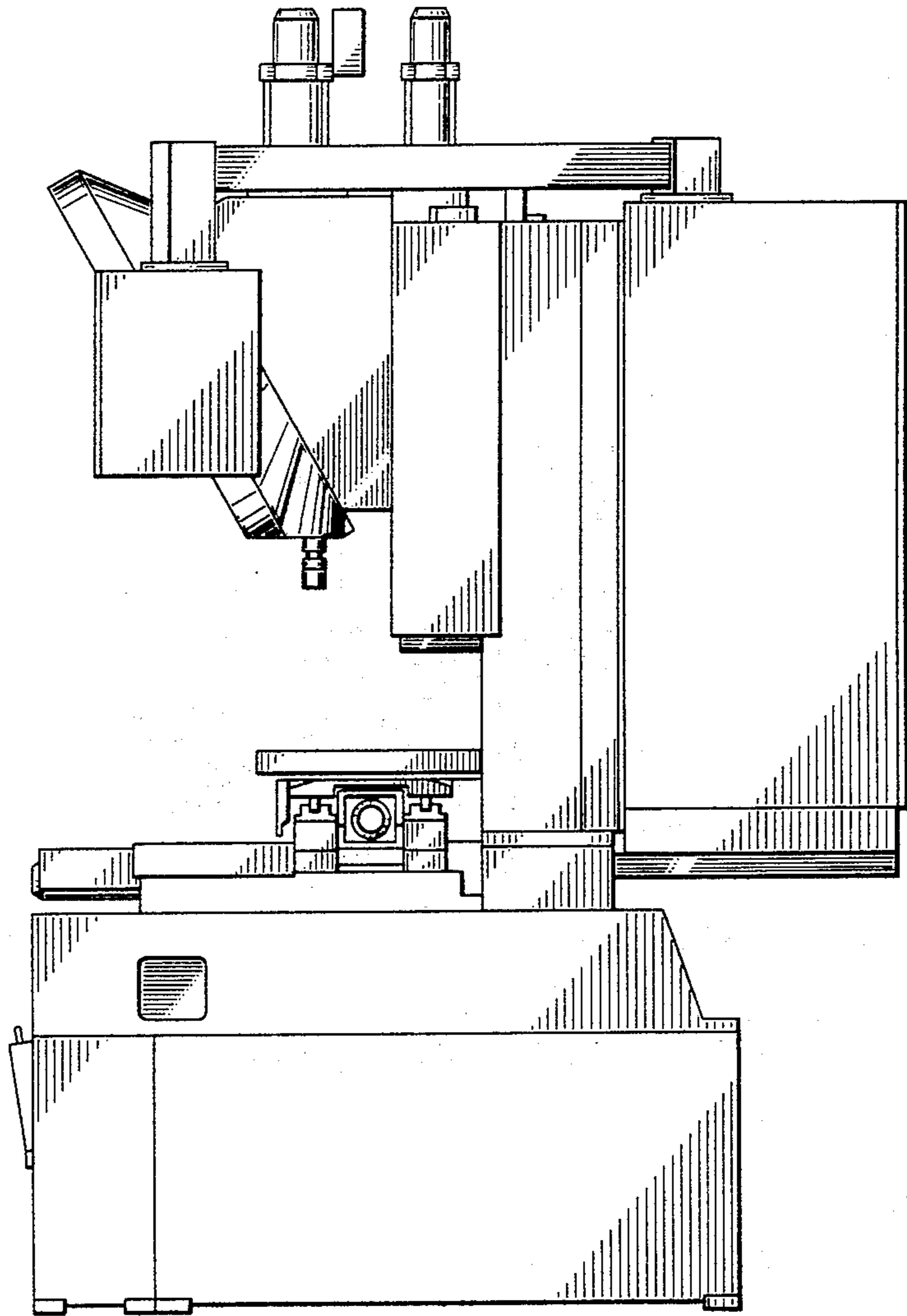


Fig. 4

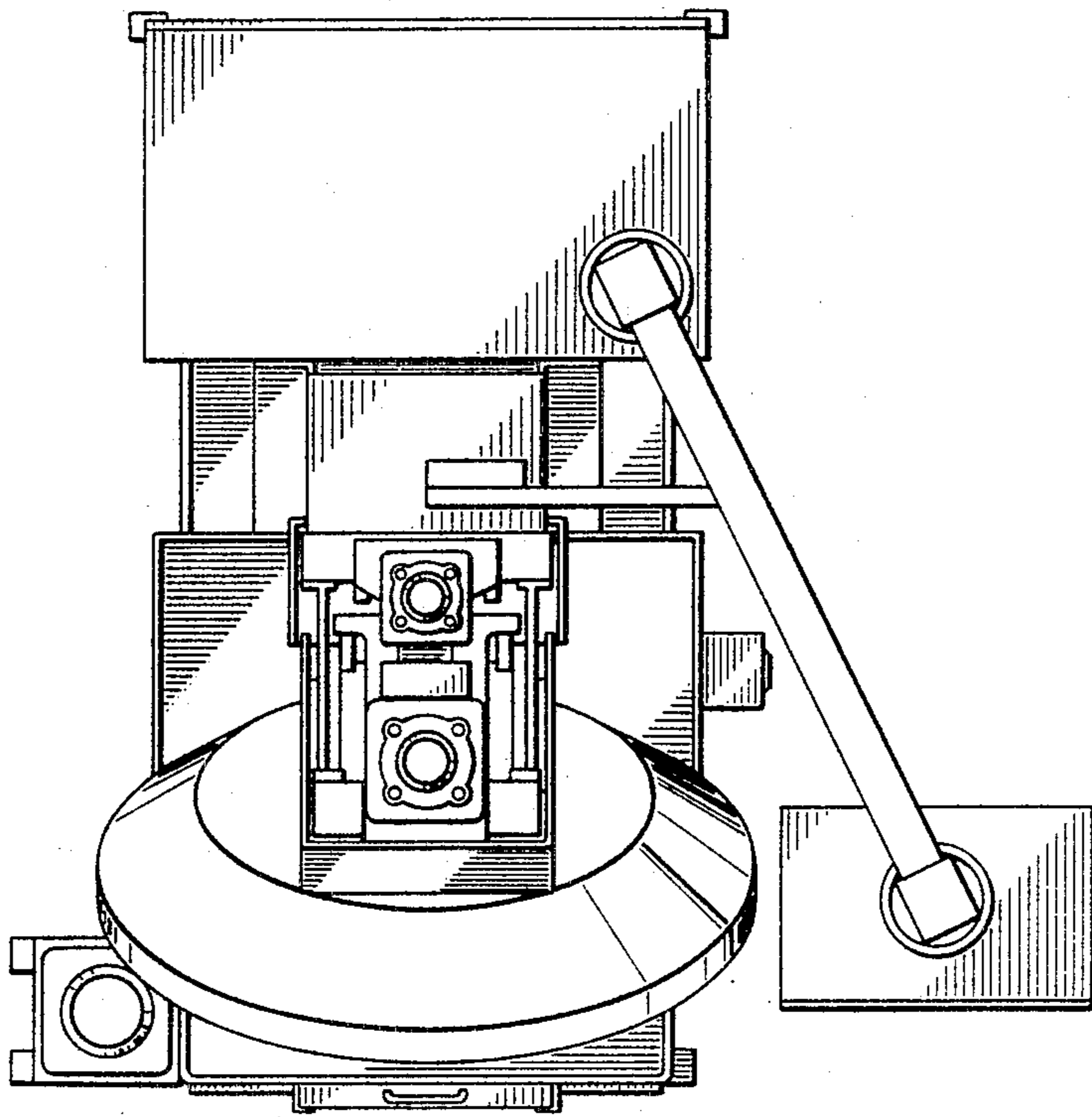


Fig. 5

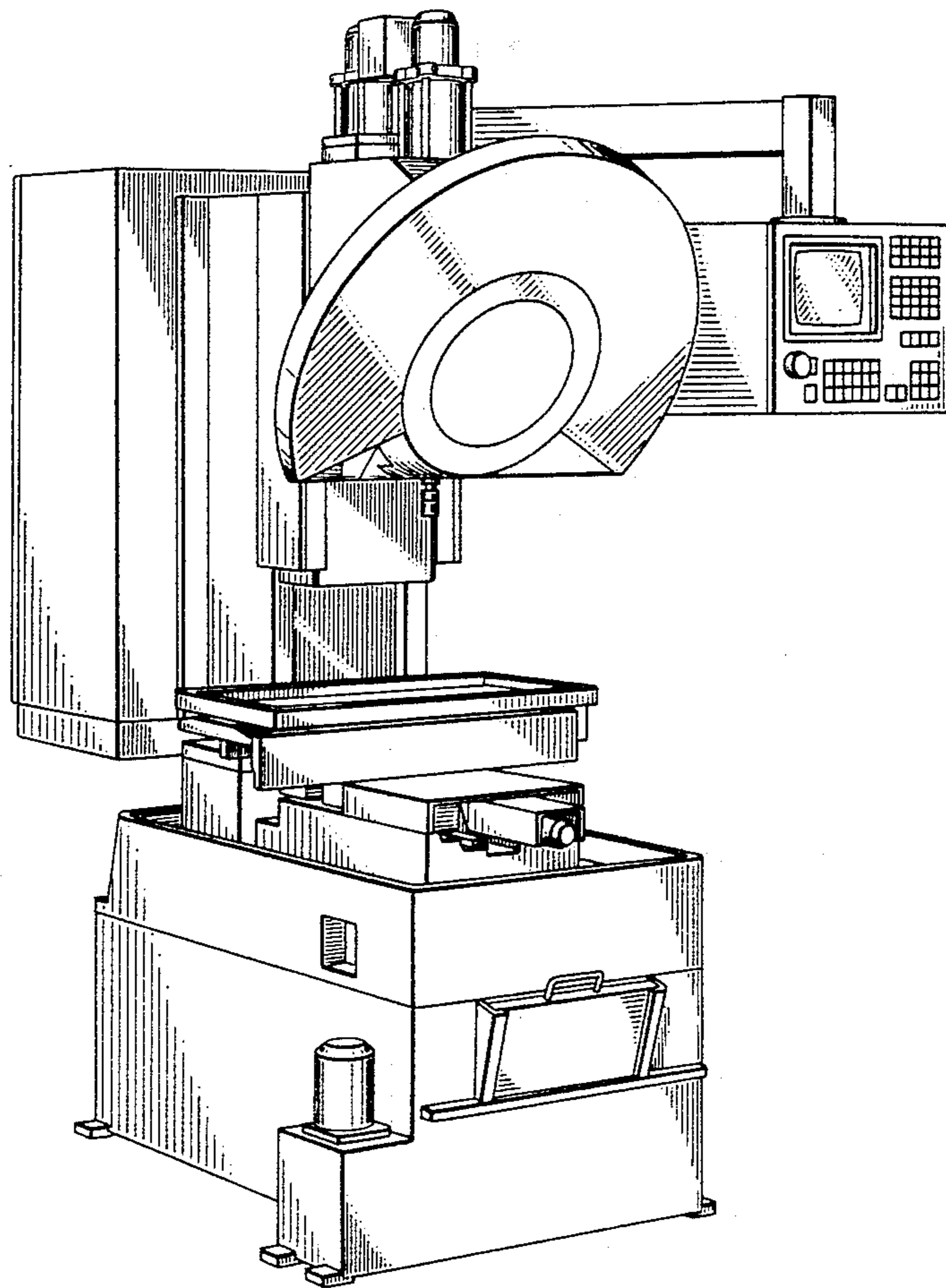


Fig. 6