

[54] DESIGN FOR SPREADER AGITATOR

4,326,673 4/1982 Thene 239/675
4,492,478 1/1985 Ito et al. 366/64

[75] Inventor: Robert A. Germain, Anderson, S.C.

[73] Assignee: USM Corporation, Farmington, Conn.

Primary Examiner—B. J. Bullock
Assistant Examiner—Suzanne N. Gitlin
Attorney, Agent, or Firm—Barry E. Deutsch

[**] Term: 14 Years

[57] CLAIM

[21] Appl. No.: 584,583

The ornamental design for a spreader agitator, as shown and described.

[22] Filed: Feb. 29, 1984

[52] U.S. Cl. D15/28; 366/325

[58] Field of Search D15/10, 13, 28;
366/325, 603, 64; 111/8, 34; 239/142, 680, 683

DESCRIPTION

[56] References Cited

U.S. PATENT DOCUMENTS

3,133,728 5/1964 Janke 366/64
4,128,052 12/1978 Mueller 366/325
4,155,315 5/1979 Dobbins 111/8

FIG. 1 is a top plan view of a spreader agitator showing my new design, the bottom plan being identical;
FIG. 2 is a front elevational view thereof, the rear being identical;
FIG. 3 is a side elevational view taken from the left of FIG. 1;
FIG. 4 is a side elevational view taken from the right of FIG. 1.

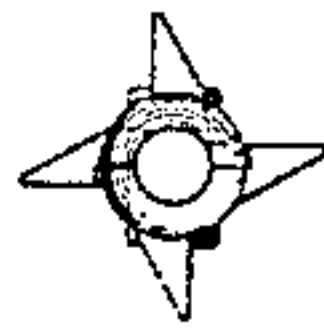
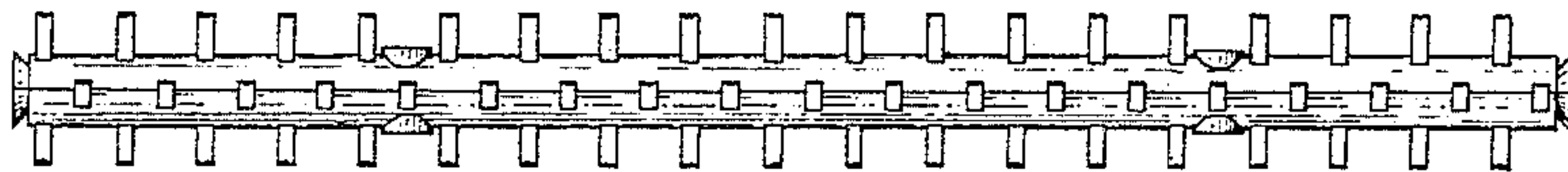
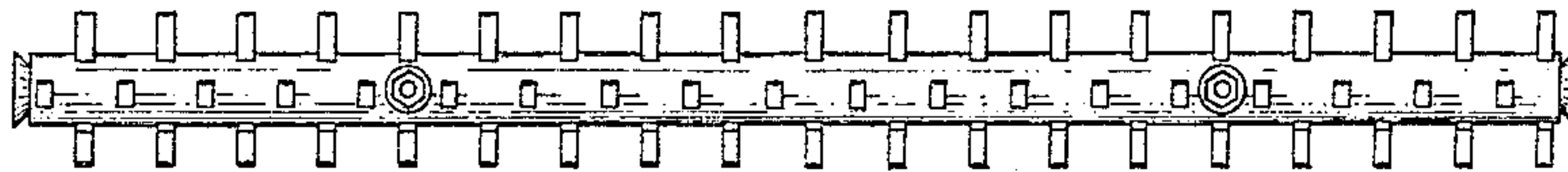


Fig. 1.

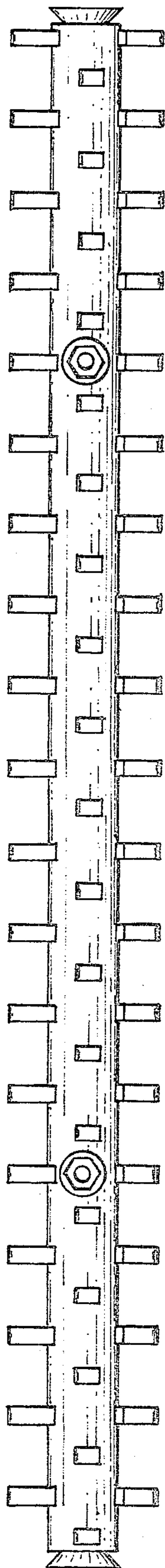


Fig. 2.

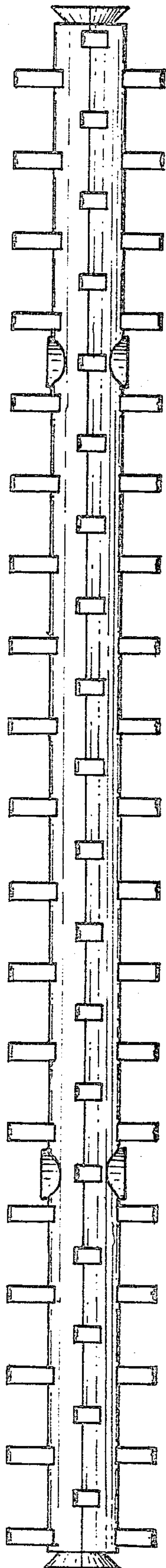


Fig. 3.

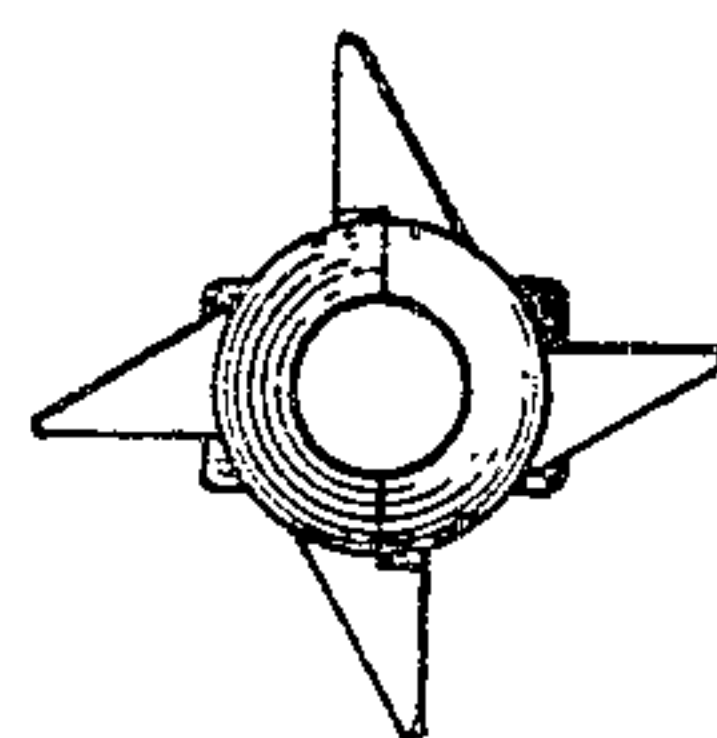


Fig. 4.

