

[54] SATELLITE ANTENNA MOUNTING BASE

[76] Inventors: **Jerald P. Skinner**, 3014 Eveningside Dr., Topeka, Kans. 66614; **Richard A. Zlotky**, 246 Yorkshire, Topeka, Kans. 66606; **Robert L. Diel**, 2537 Michigan, Topeka, Kans. 66605

[\*\*] Term: 14 Years

[21] Appl. No.: 585,158

[22] Filed: Mar. 1, 1984

[52] U.S. Cl. .... D14/91; D6/498; D14/86

[58] Field of Search ..... D14/86, 90, 91; D6/366, D6/498; 343/880, 881, 882, 840

[56] References Cited

U.S. PATENT DOCUMENTS

- D. 193,859 10/1962 Nissen et al. .... D6/498
- D. 273,728 5/1984 Cafiero ..... D6/366
- D. 277,578 2/1985 Nichols ..... D14/91

- 3,509,578 4/1970 Cribb ..... 343/882
- 3,714,660 1/1973 Scrafford et al. .... 343/880 X
- 3,832,717 8/1974 Taggart, Jr. .... 343/840
- 4,404,565 9/1983 Gurney et al. .... 343/881

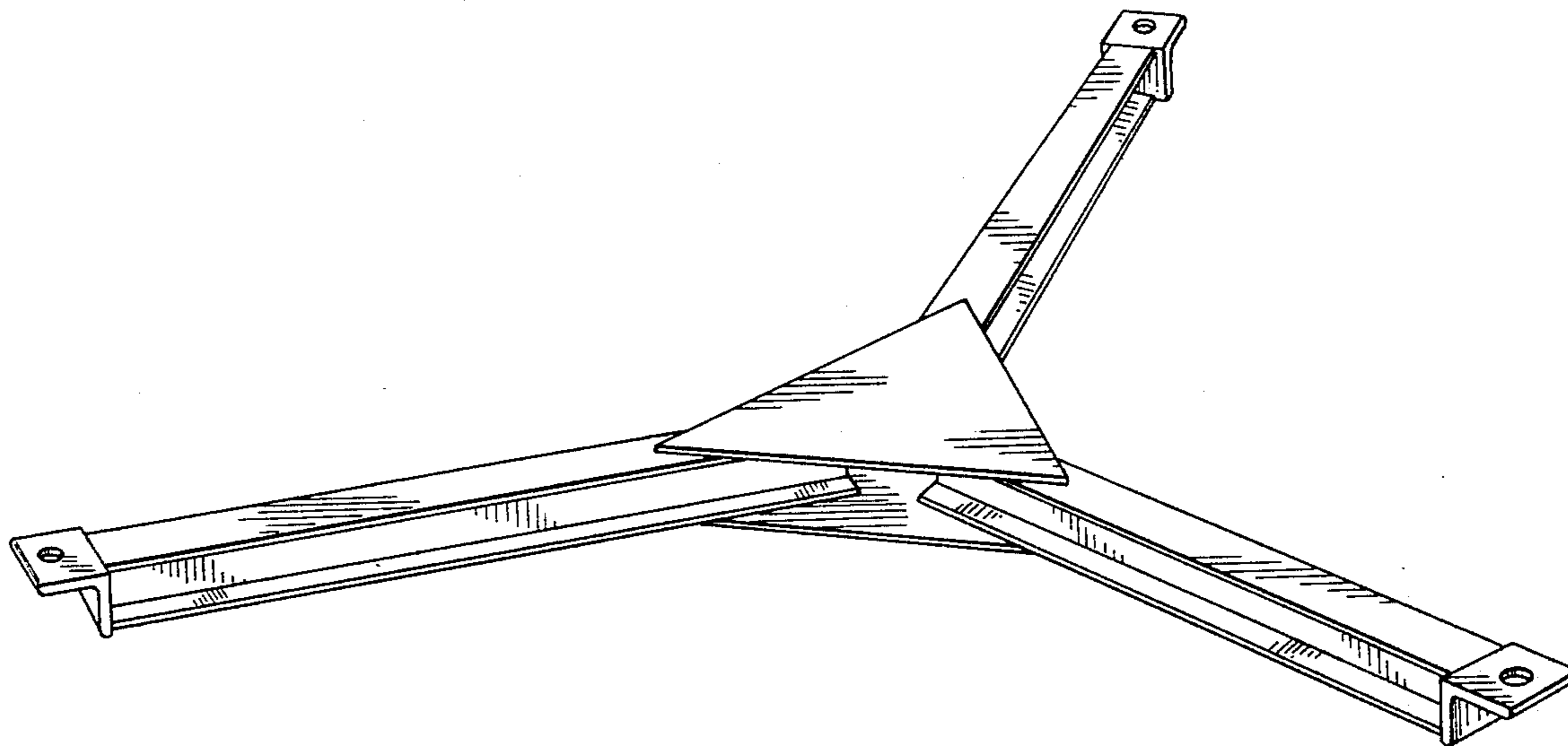
Primary Examiner—Bernard Ansher  
Assistant Examiner—Theodore M. Shooman  
Attorney, Agent, or Firm—D. A. N. Chase; Michael Yakimo, Jr.

[57] CLAIM

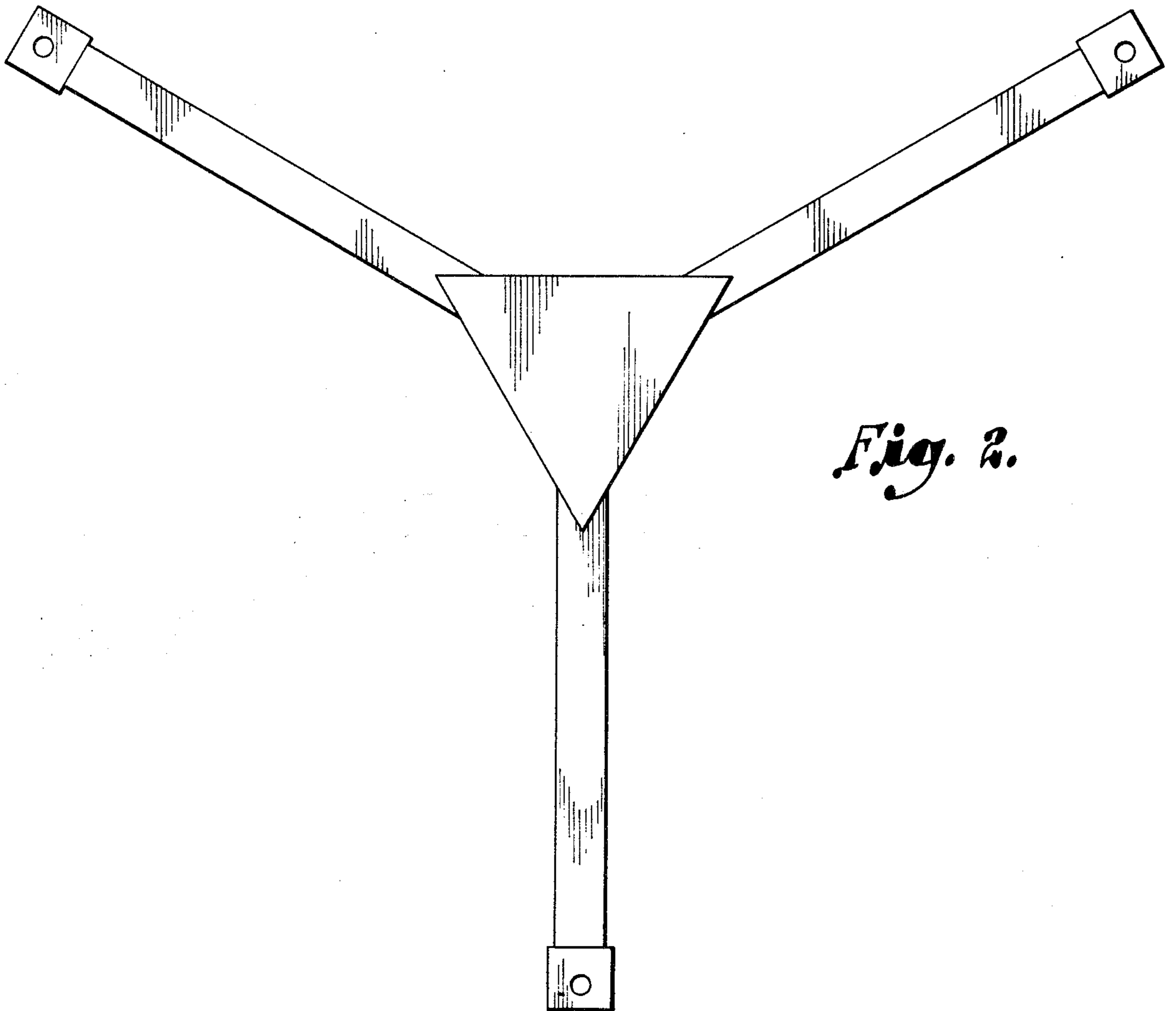
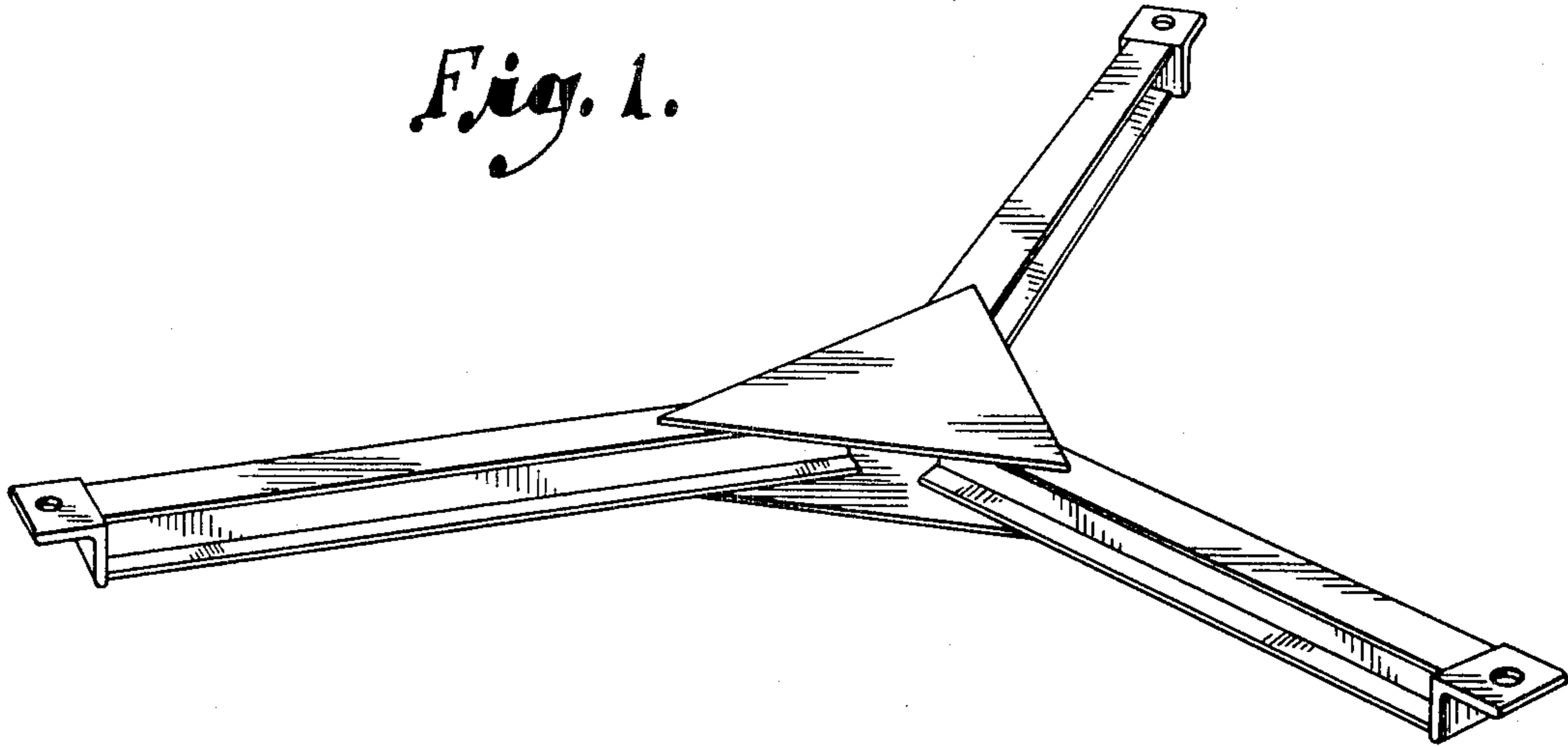
The ornamental design for a satellite antenna mounting base, as shown and described.

DESCRIPTION

FIG. 1 is a top and side perspective view of a satellite antenna mounting base showing our new design; FIG. 2 is a top plan view thereof; FIG. 3 is a front elevational view thereof; FIG. 4 is a rear elevational view thereof; and FIG. 5 is a side elevational view thereof, the opposite side being a mirror image of the side shown. The bottom is unornamented.



*Fig. 1.*



*Fig. 2.*

*Fig. 3.*



*Fig. 4.*



*Fig. 5.*

