

[54] TELEPHONE STAND

[75] Inventors: David C. Danielson, New Canaan, Conn.; John N. McGarvey, Drexel Hill, Pa.

[73] Assignee: AT&T Information Systems Inc., Morristown, N.J.

[**] Term: 14 Years

[21] Appl. No.: 816,493

[22] Filed: Jan. 6, 1986

[52] U.S. Cl. D14/60; D14/57; D14/62

[58] Field of Search D14/53, 58, 57, 60, D14/61, 65; 179/179, 100 R, 100 D, 100 C, 100 L, 101, 102, 28 A; D6/555

[56] References Cited

U.S. PATENT DOCUMENTS

D. 252,569	8/1979	Genaro et al.	D14/60
D. 253,345	11/1979	Read et al.	D14/60
D. 264,715	6/1982	Trussler	D14/58
D. 265,089	6/1982	Bee	D14/58
D. 265,401	7/1982	Genaro et al.	D14/60
D. 266,667	10/1982	Bee	D14/58
D. 271,691	12/1983	Bhat et al.	D14/60

D. 274,959	8/1984	Glebocki et al.	D6/555
D. 275,481	9/1984	Foggia et al.	D14/60
D. 276,430	11/1984	Isaacs	D14/60
D. 277,001	1/1985	McGarvey	D14/60
D. 277,929	3/1985	Sakamoto	D14/58
D. 279,777	7/1985	Cooke et al.	D14/60
4,543,451	9/1985	Schoen	179/28 A

OTHER PUBLICATIONS

NEC Telephone advertisement

Primary Examiner—Wallace R. Burke

Assistant Examiner—Horace B. Fay

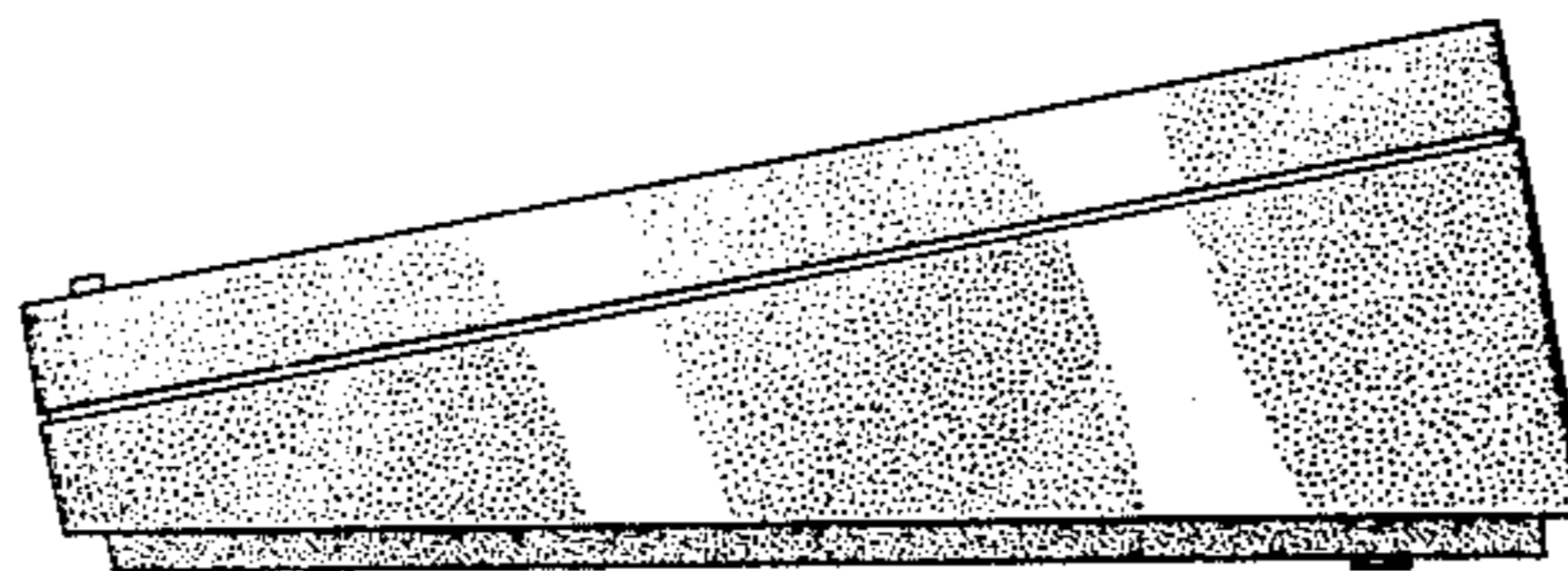
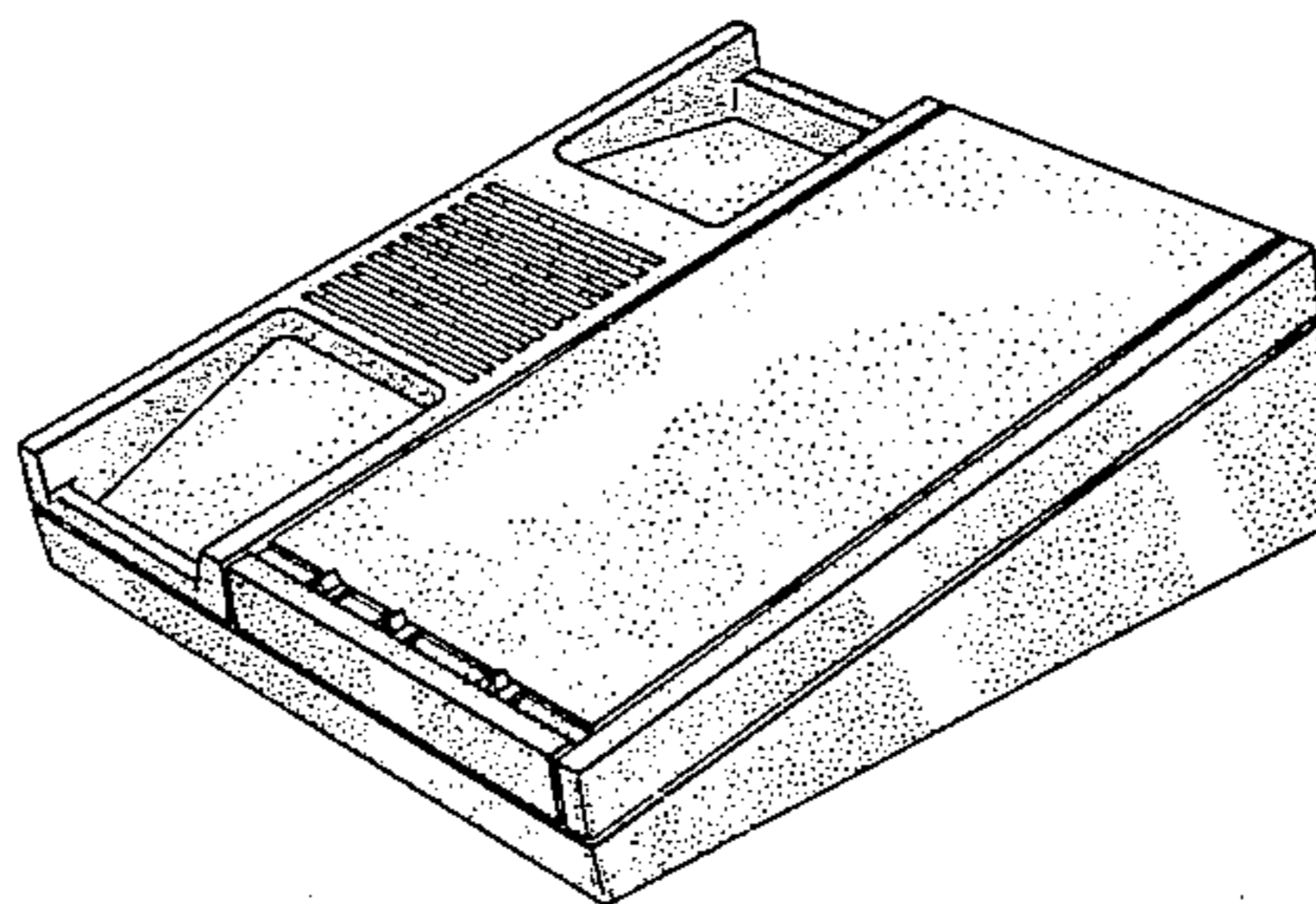
Attorney, Agent, or Firm—M. A. Morra

[57] CLAIM

The ornamental design for a telephone stand, as shown and described.

DESCRIPTION

FIG. 1 is a top, front and right side perspective view of a telephone stand showing our new design;
 FIG. 2 is a right side elevational view, the left side being substantially a mirror image thereof;
 FIG. 3 is a top plan view;
 FIG. 4 is a front elevational view;
 FIG. 5 is a rear elevational view thereof; and
 FIG. 6 is a bottom plan view.



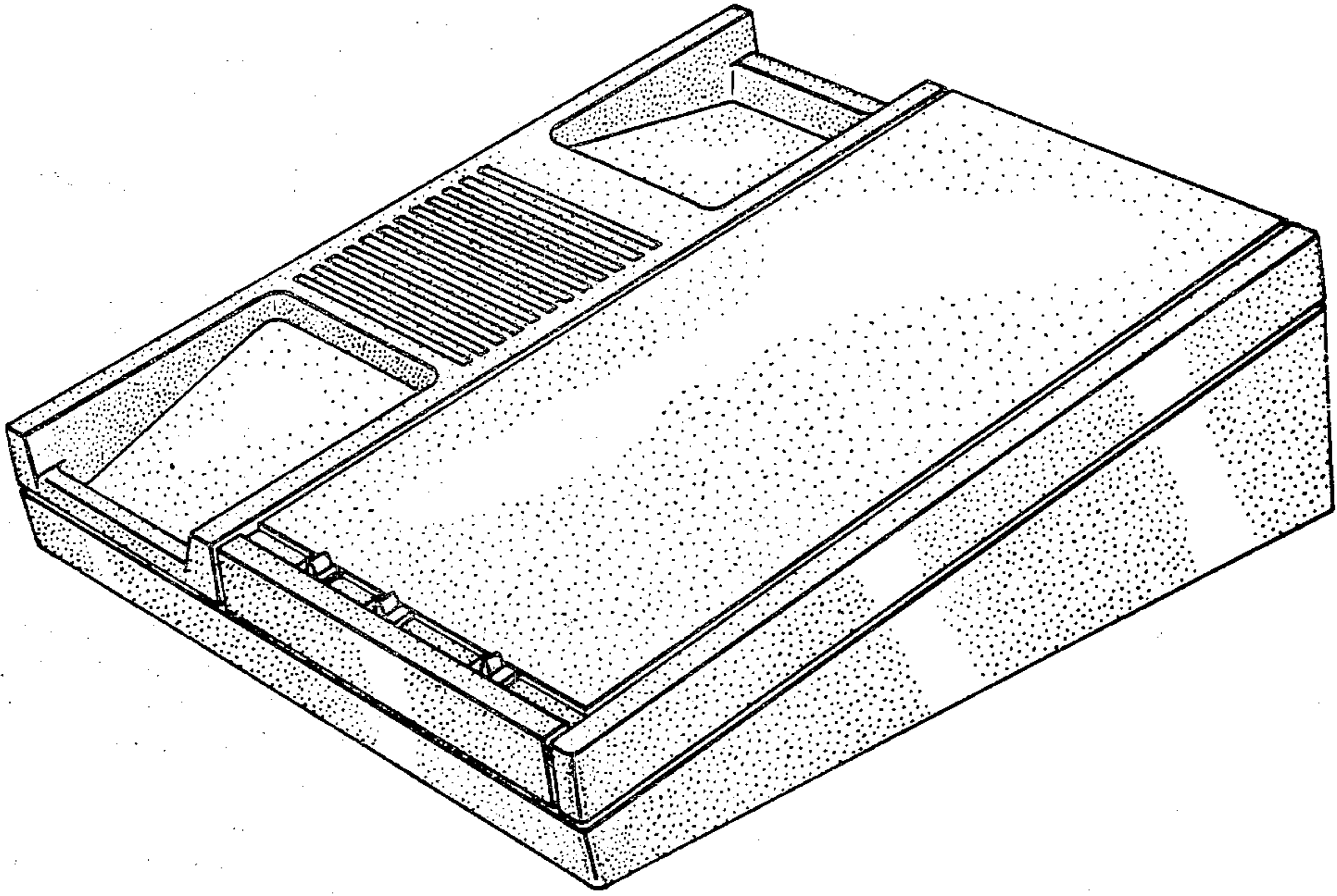


FIG. 1

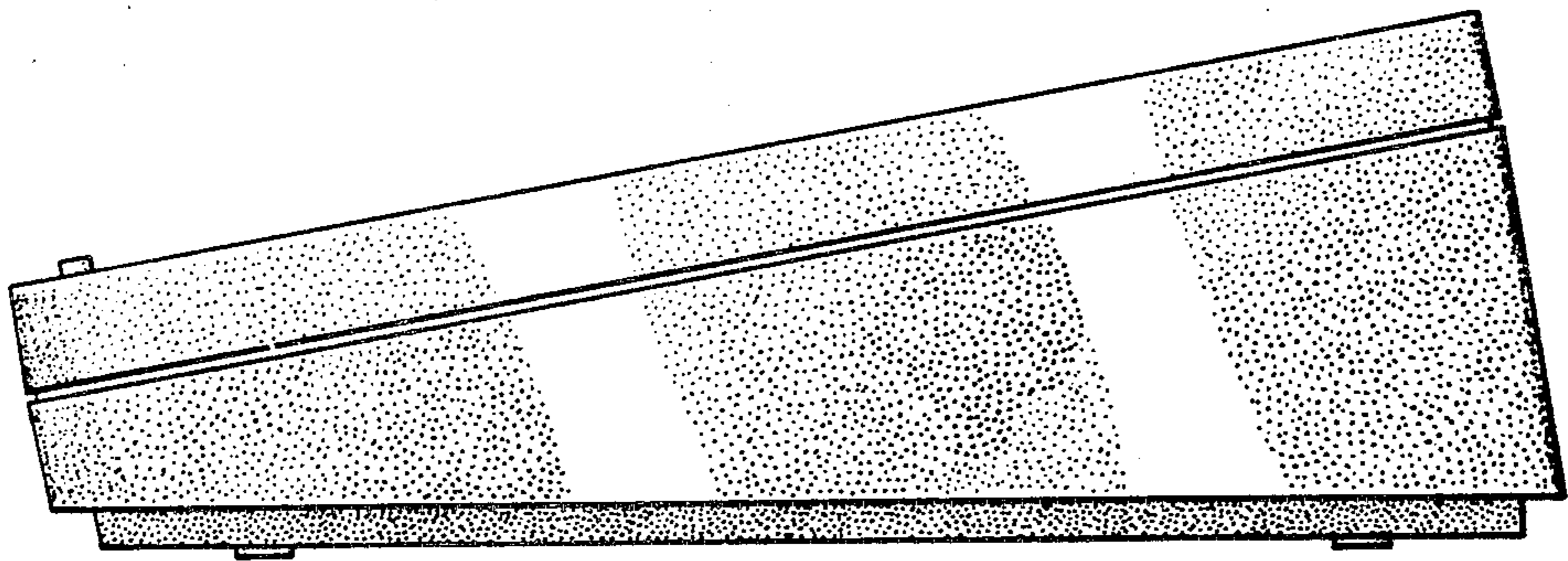


FIG. 2

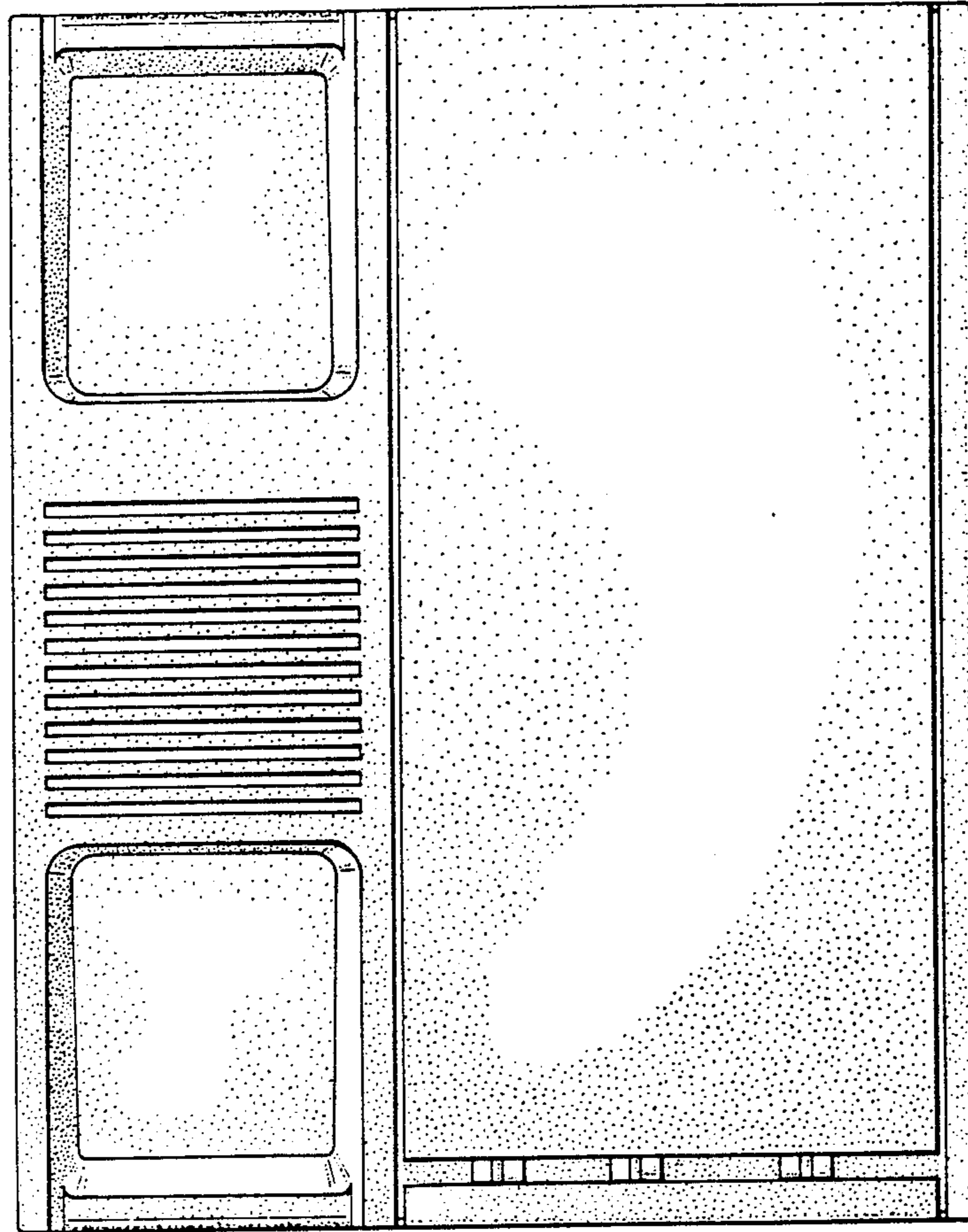


FIG. 3

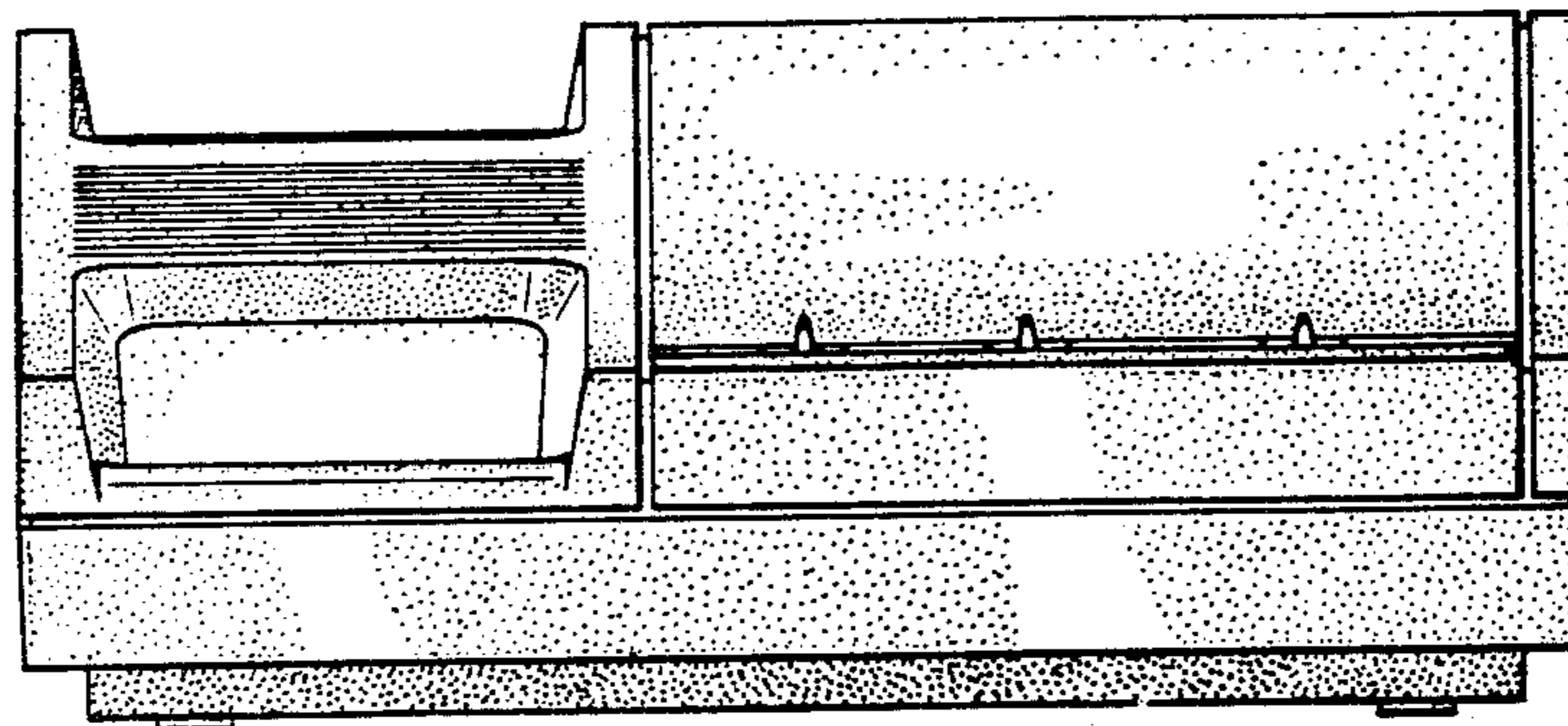


FIG. 4

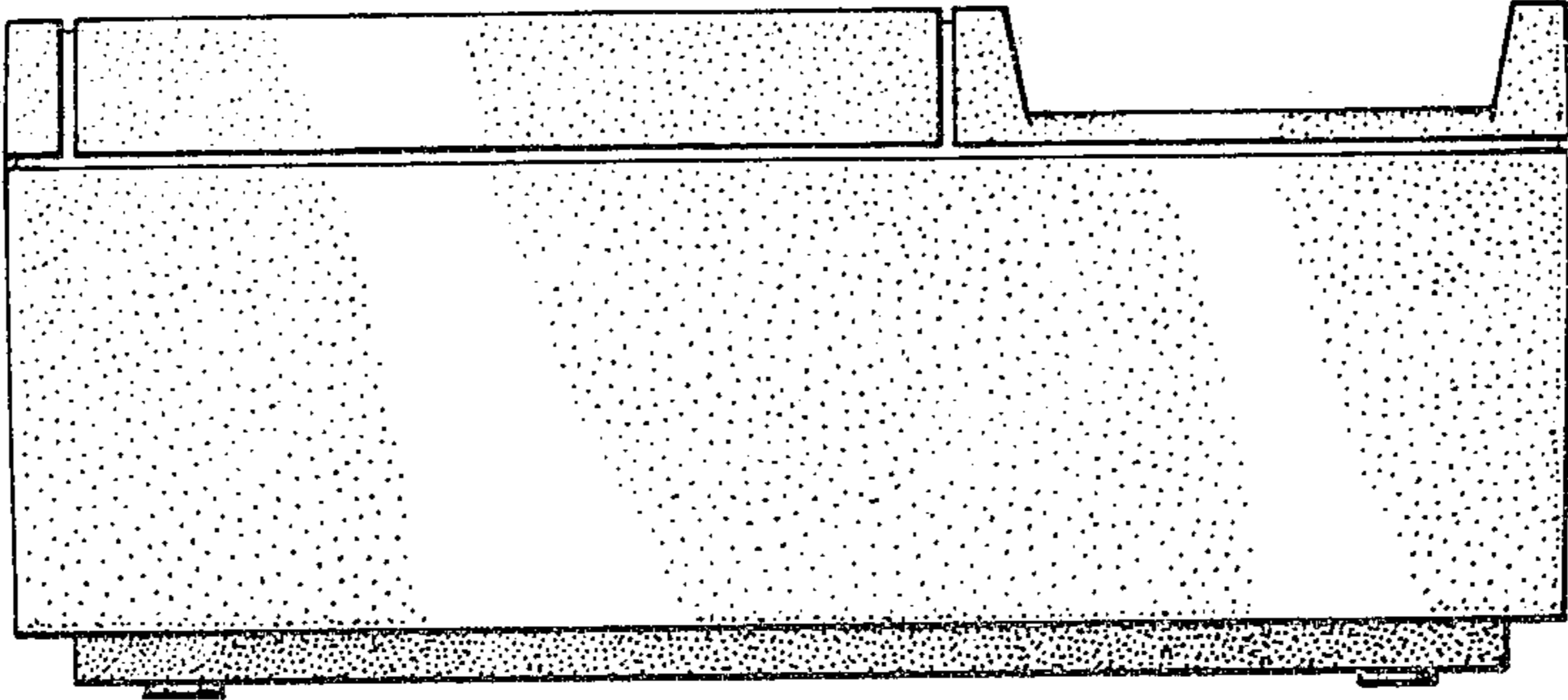


FIG. 5

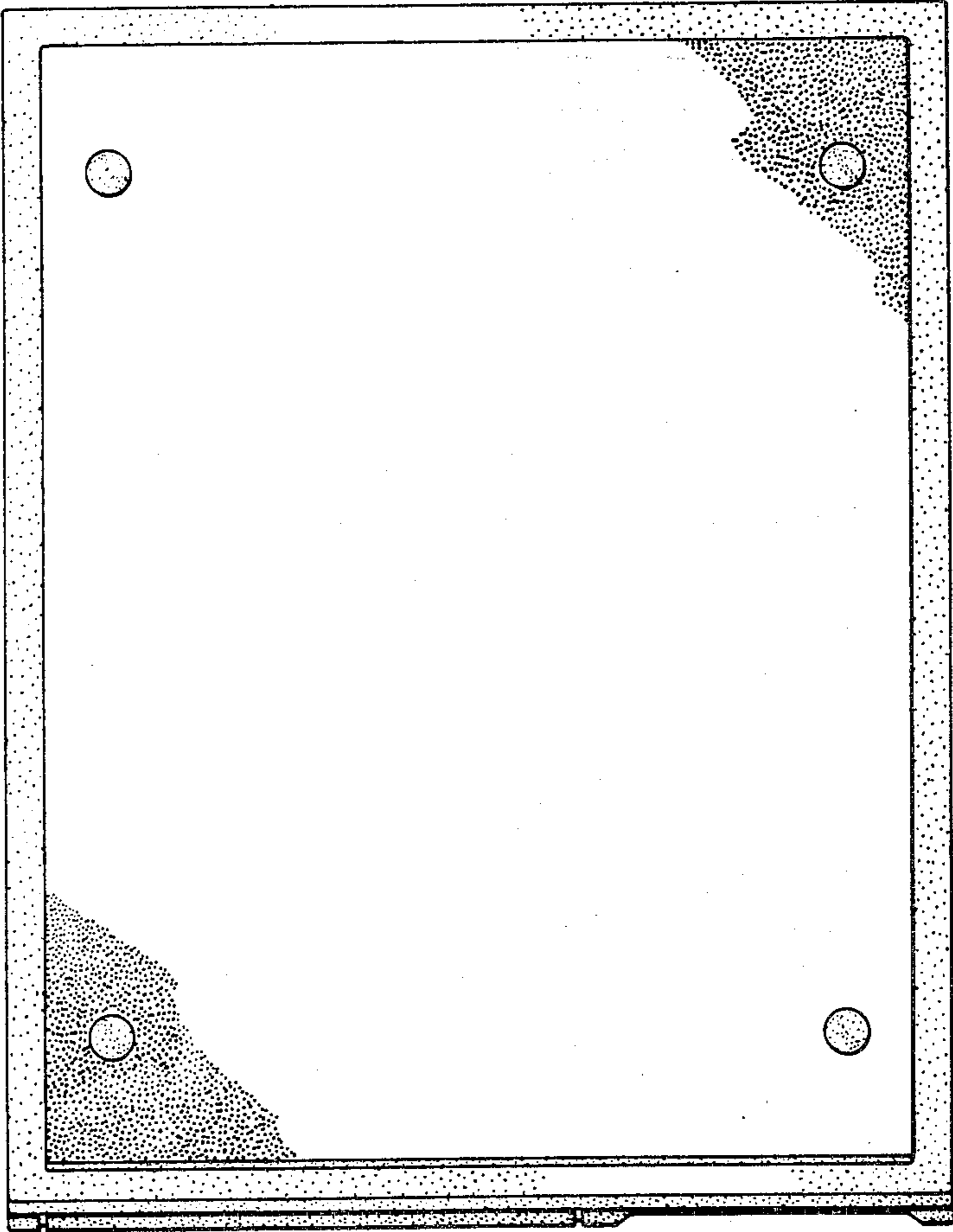


FIG. 6