

[54] **CORDLESS TELEPHONE ASSEMBLY**

[75] Inventor: **Stephen A. Nichols**, Indianapolis, Ind.

[73] Assignee: **Uniden Corporation of America**, Indianapolis, Ind.

[**] Term: **14 Years**

[21] Appl. No.: **473,458**

[22] Filed: **Mar. 9, 1983**

[52] U.S. Cl. **D14/53; D14/60; D14/52**

[58] Field of Search **D14/53, 58, 60, 62, D14/63, 100; 179/179, 100 C, 103 D, 100 L, 102, 101, 29 A, 100 R; D18/6, 7, 8, 11**

[56] **References Cited**

U.S. PATENT DOCUMENTS

D. 190,145	4/1961	Reed et al.	D18/12
D. 209,910	1/1968	Tyson	D14/63
D. 218,612	9/1970	Payne	D14/62
D. 224,021	6/1972	Minka et al.	D14/100
D. 229,564	12/1973	Chadema, Jr.	D14/100
D. 260,886	9/1981	Taylor	D14/100
D. 265,734	8/1982	Mahan	D4/53
3,521,008	7/1970	Tyson	D14/64
4,349,706	9/1982	Thompson	179/146 R

OTHER PUBLICATIONS

Best Products 1982/1983 Catalog; at p. 303, "Extend-A-Phone" Cordless Models Ex-4000 & Ex-3000.

Montgomery Ward, Spring & Summer '83 Catalog; at p. 312; Uniden's Model "Extend-A-Phone" 3000.

AT&T "Nomad" 400 Cordless Telephone; 5 page Brochure Copy SLN-303A/12/82.

Uniden Corp. of America Price List 6-1-82, 4 page pocket booklet showing Extend-A-Phone Models Ex 3000, 4000, 5000 ewt seq.

W. Bell & Co. 1982 Catalog ©1981; "Cobra" Cordless Telephone, Item V, p. 239; Model 501 21c.

Primary Examiner—Wallace R. Burke

Assistant Examiner—Horace B. Fay

Attorney, Agent, or Firm—Banner, Birch, McKie & Beckett

[57] **CLAIM**

The ornamental design for a cordless telephone assembly, as shown and described.

DESCRIPTION

FIG. 1 is a top plan view of a cordless telephone assembly showing my new design with the handset cradled in the base unit;

FIG. 2 is a bottom plan view thereof;

FIG. 3 is a front elevational view thereof;

FIG. 4 is a rear elevational view thereof;

FIG. 5 is a side elevational view thereof, from the right side of FIG. 1; and

FIG. 6 is a side view thereof, from the left side of FIG. 1.

FIG. 7 is a perspective view from above showing the front, top and right side of thereof; and

FIG. 8 is a perspective view from above showing the rear, top and left side thereof.

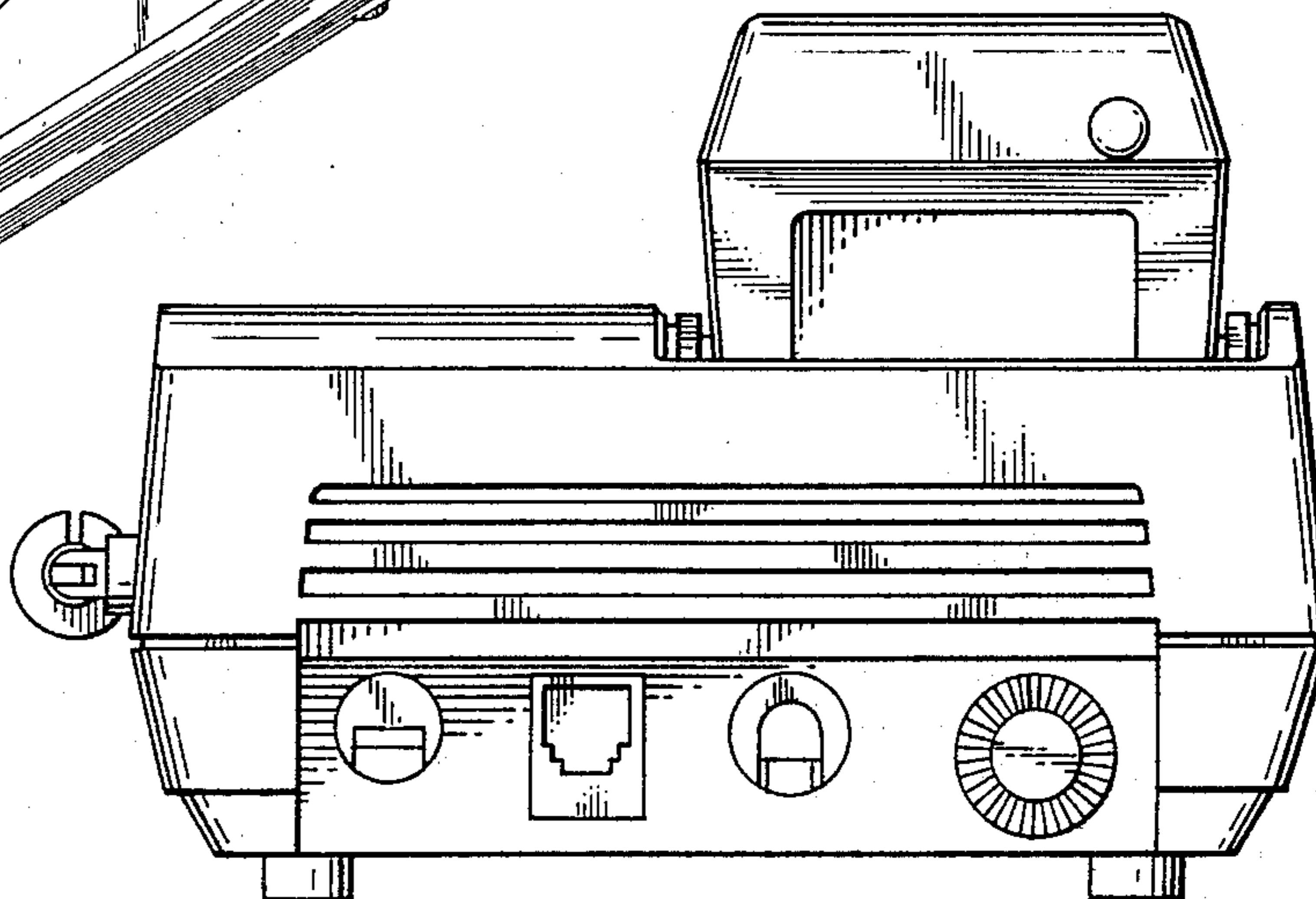
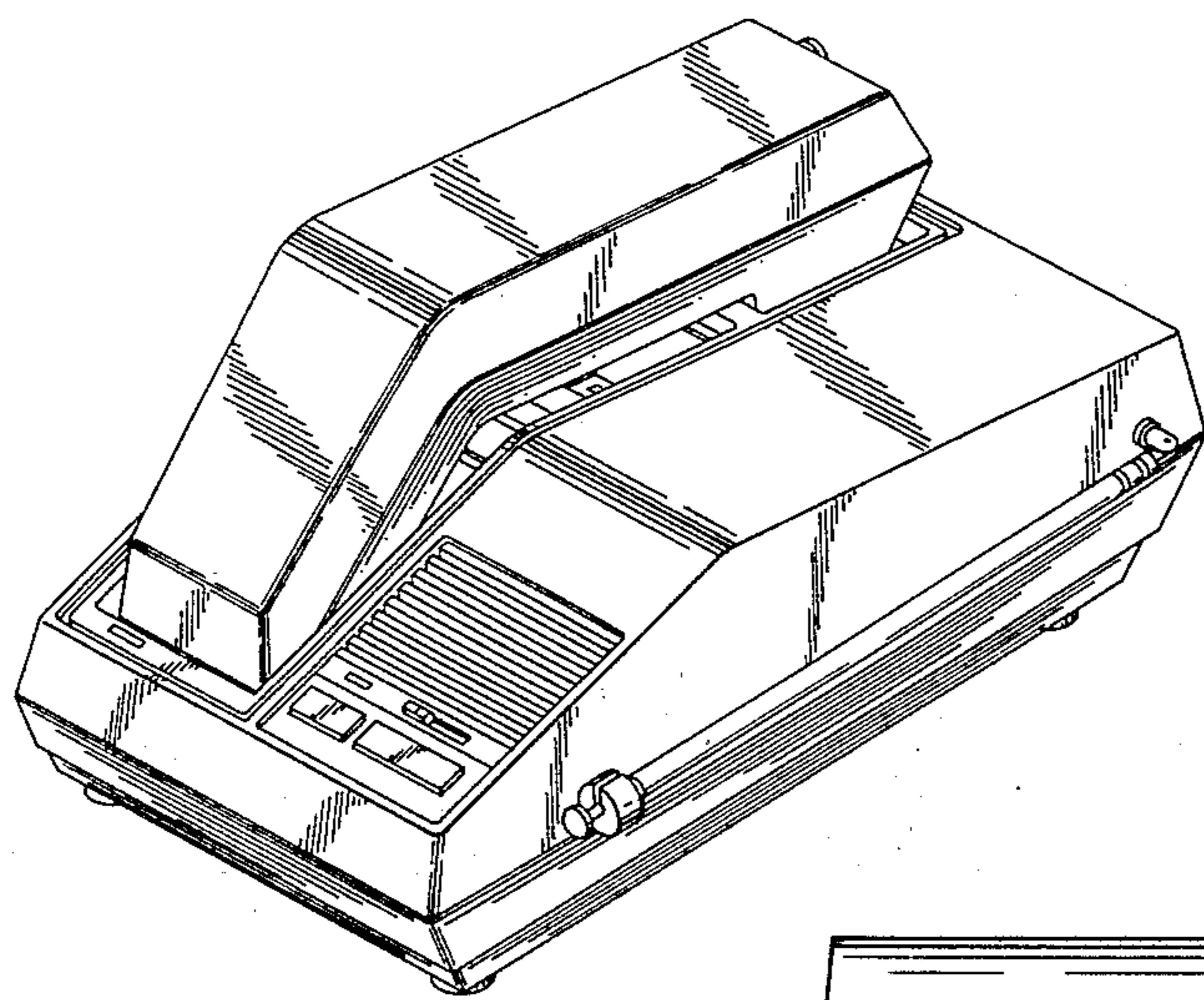


FIG. 2.

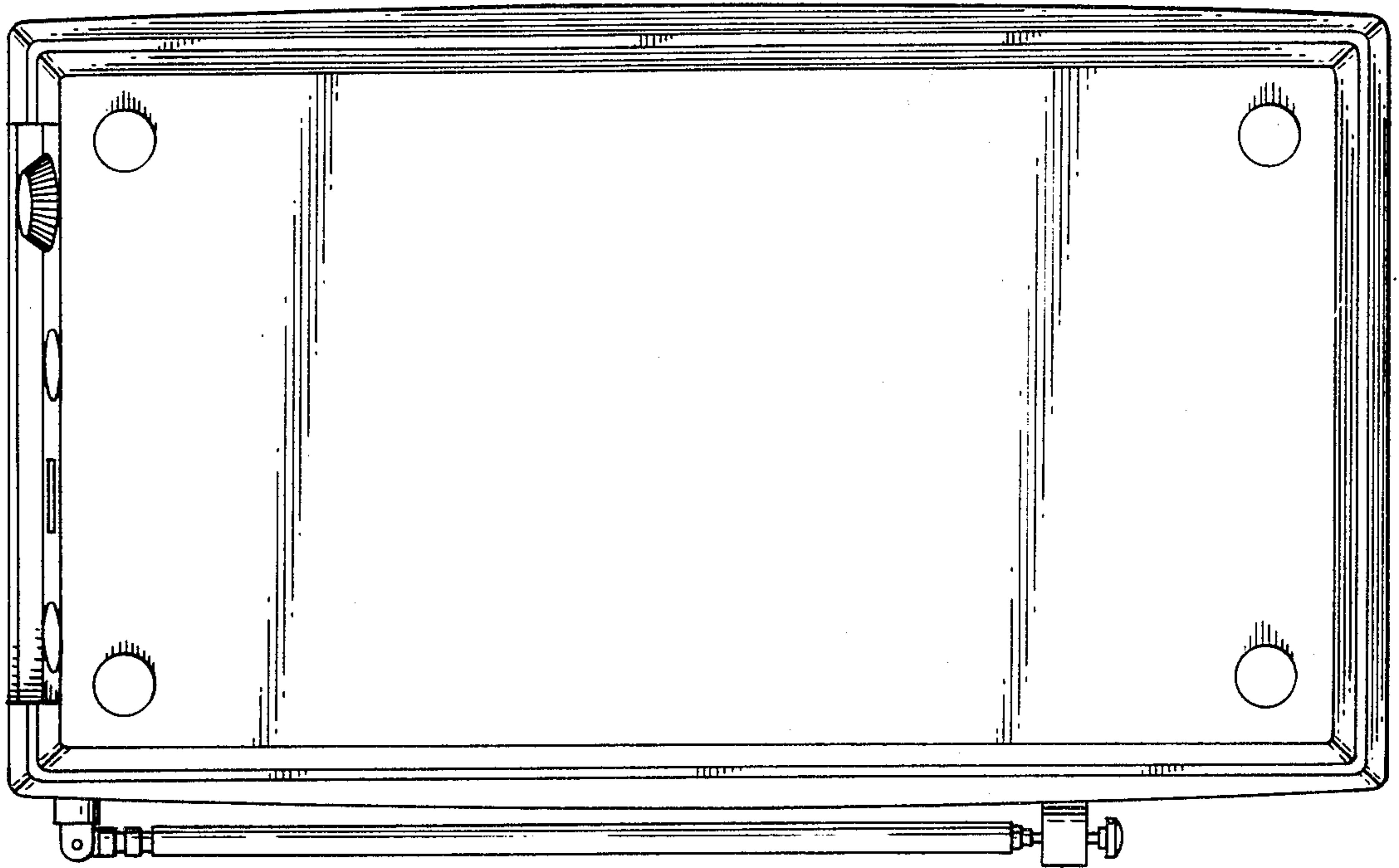


FIG. 1.

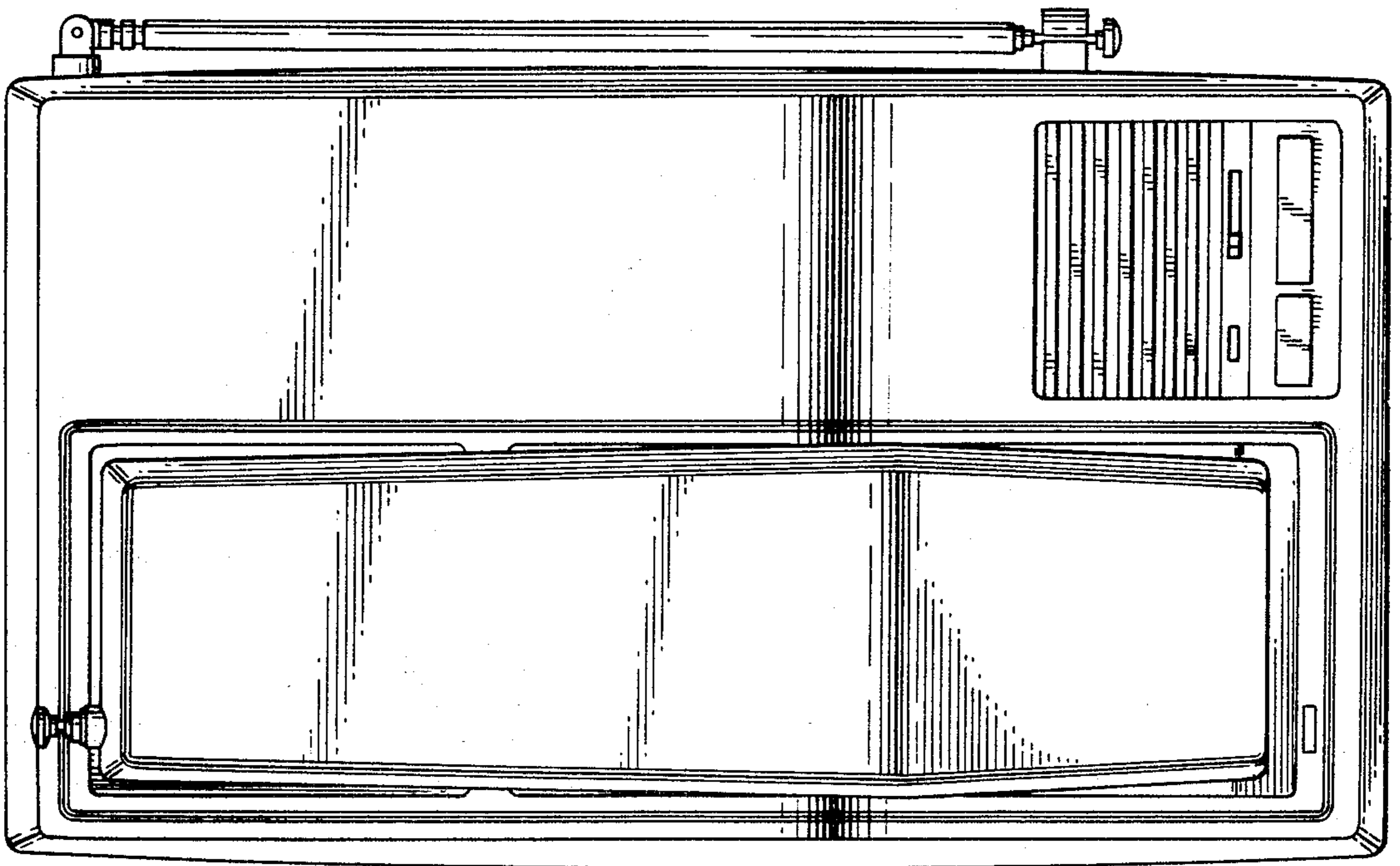


FIG. 3.

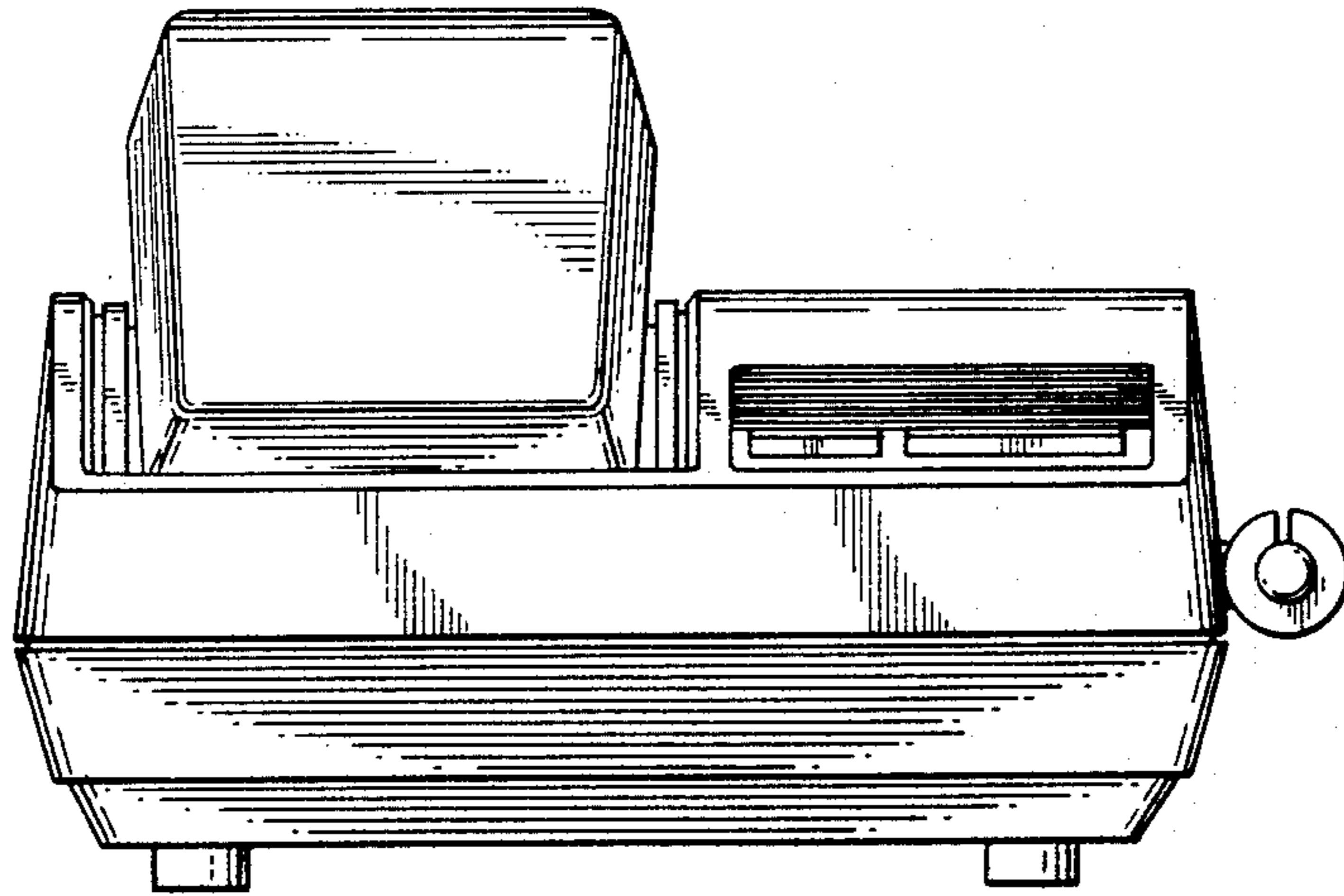


FIG. 4.

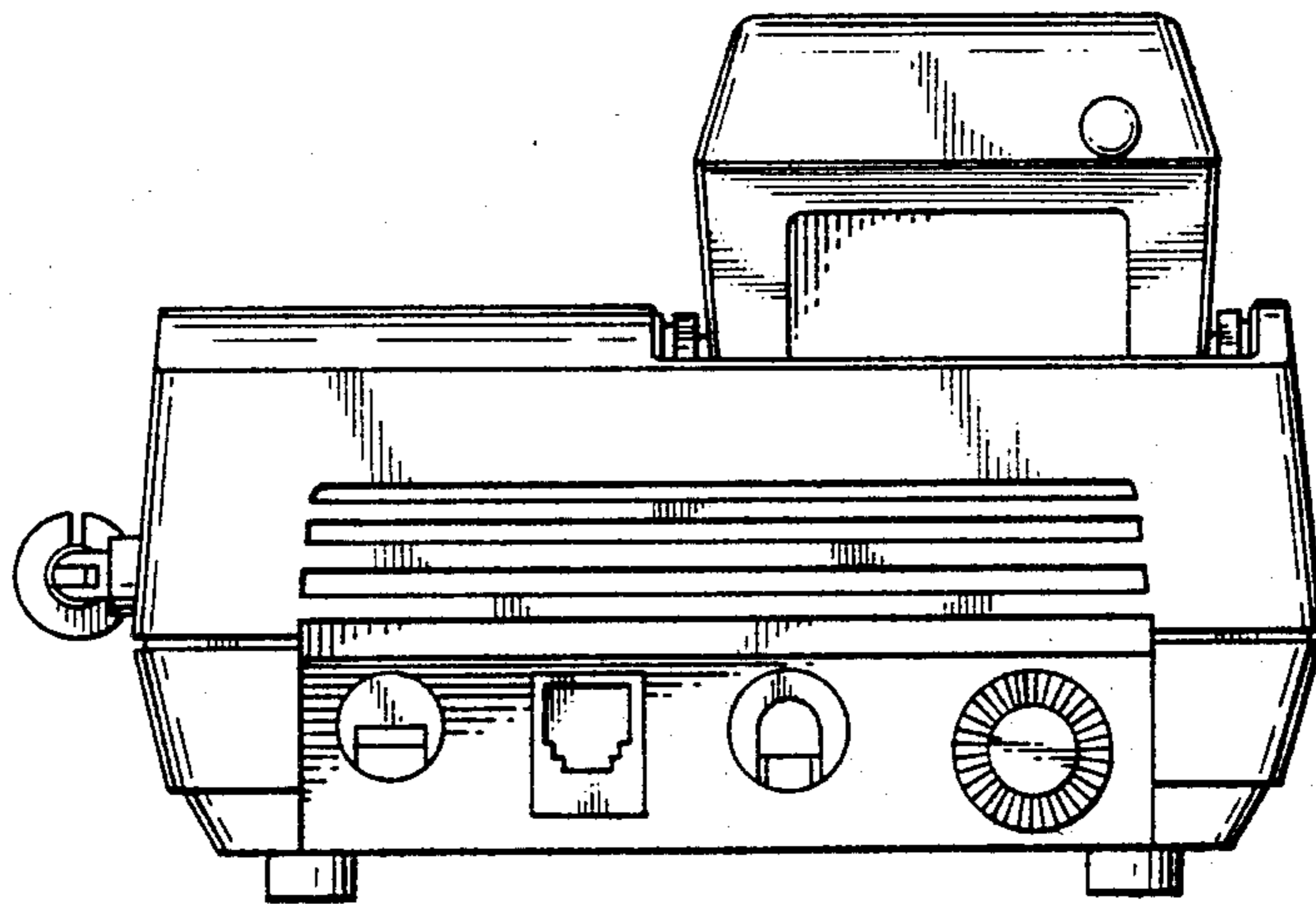


FIG. 5.

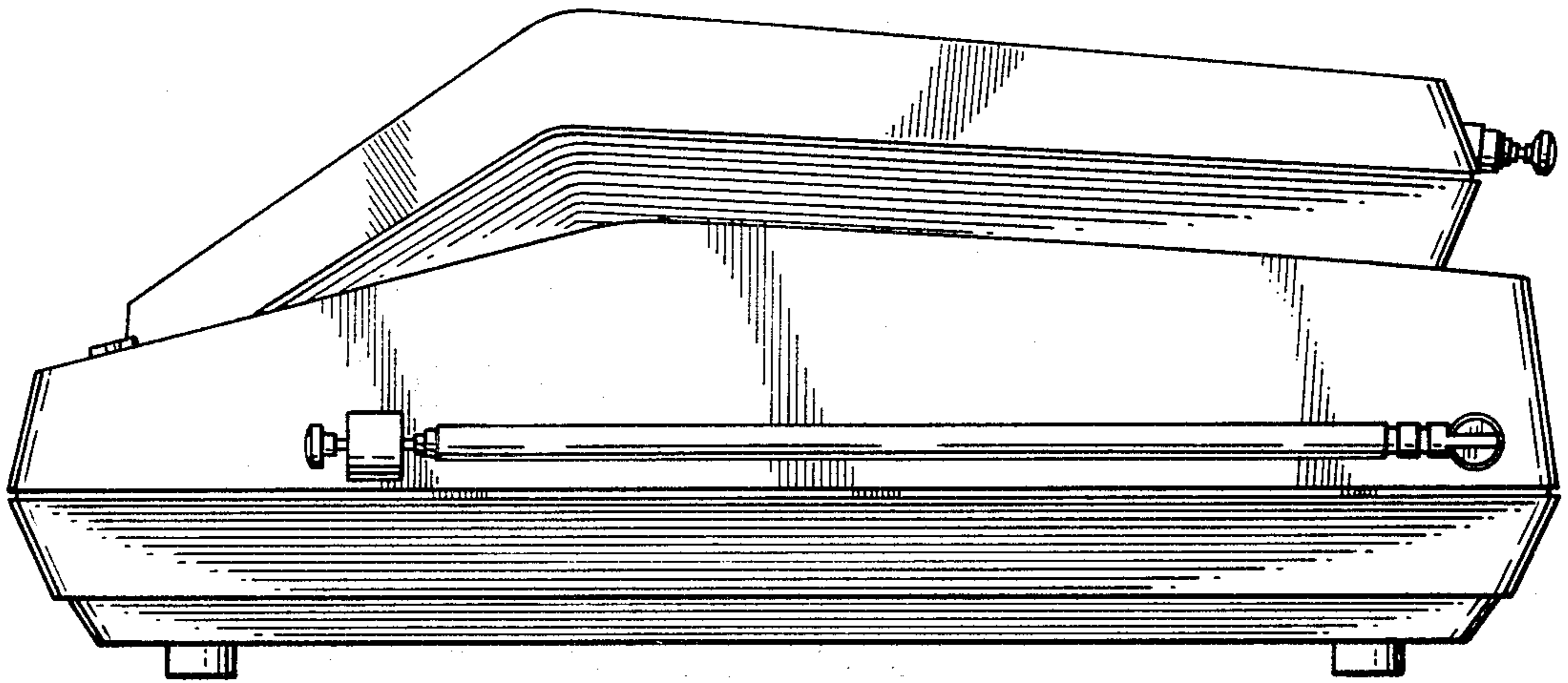


FIG. 6.

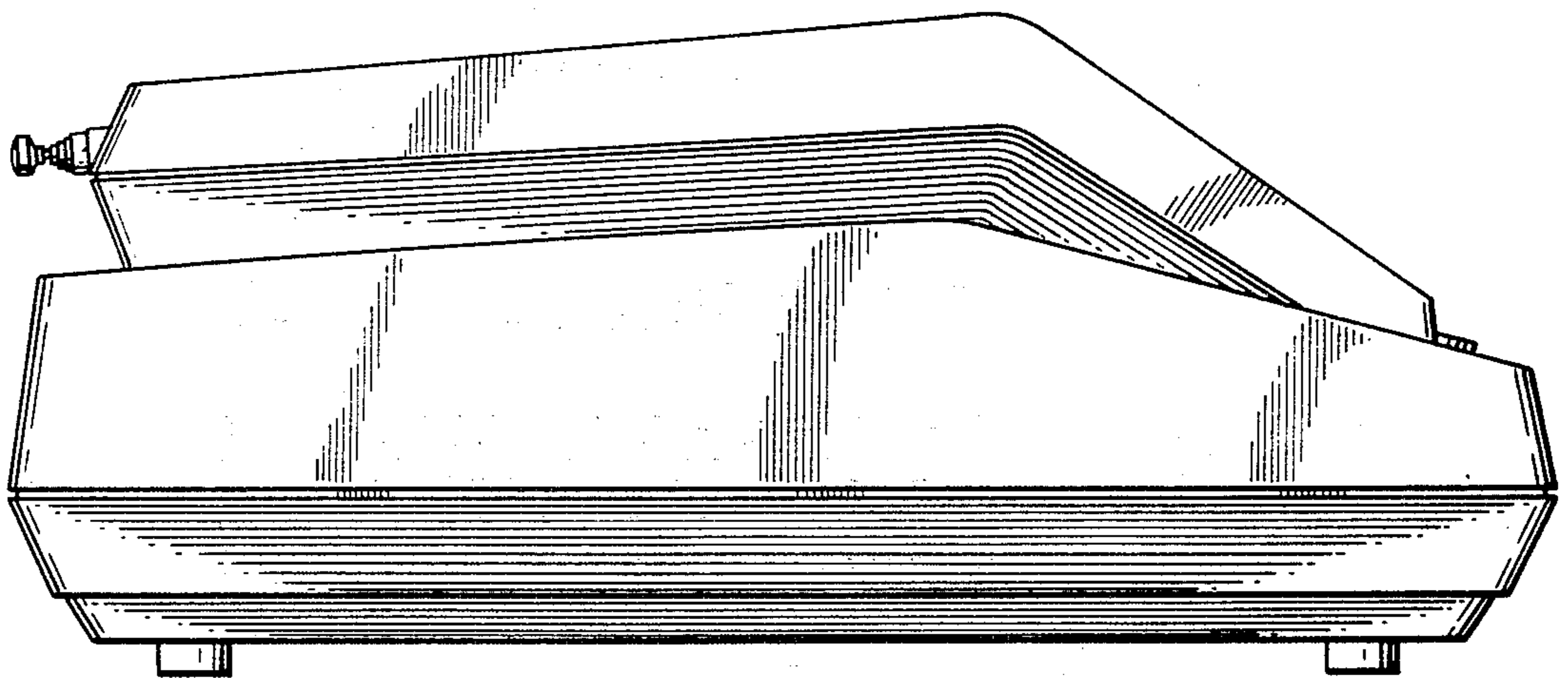


FIG. 7.

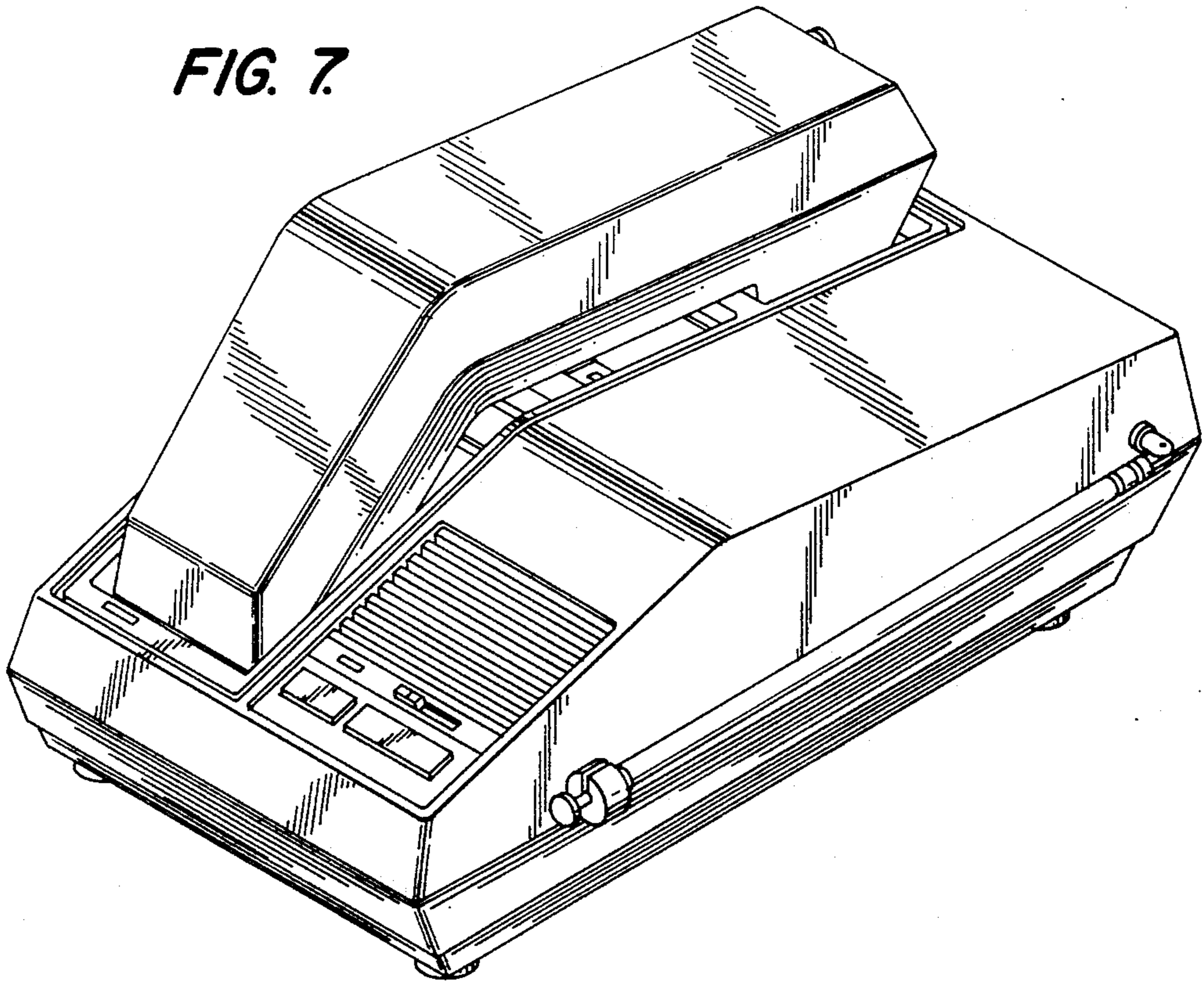


FIG. 8.

