

[54] **WHEEL**

[75] **Inventor: Ulf A. Sandberg, Box 4829, 434 00  
Kungsbacka, Sweden**

[73] **Assignee: Aktiebolaget Volvo, Goteborg,  
Sweden**

[\*\*] **Term: 14 Years**

[21] **Appl. No.: 632,338**

[22] **Filed: Jul. 19, 1984**

[30] **Foreign Application Priority Data**

Mar. 5, 1984 [SE] Sweden ..... 84-0736  
[52] **U.S. Cl. .... D12/211**  
[58] **Field of Search ..... D12/209-211;  
301/63 R, 64 R, 64 SD, 65**

[56] **References Cited**

**U.S. PATENT DOCUMENTS**

D. 257,507 11/1980 McIntosh ..... D12/211  
D. 261,880 11/1981 Blanchard et al. .... D12/211  
D. 263,213 3/1982 Blanchard et al. .... D12/209  
D. 263,296 3/1982 Blanchard et al. .... D12/209

**OTHER PUBLICATIONS**

1984 ET Custom Wheel Catalog & Application Guide,  
p. 4, Kelstar Wheel, top left side of page.

*Primary Examiner*—James M. Gandy

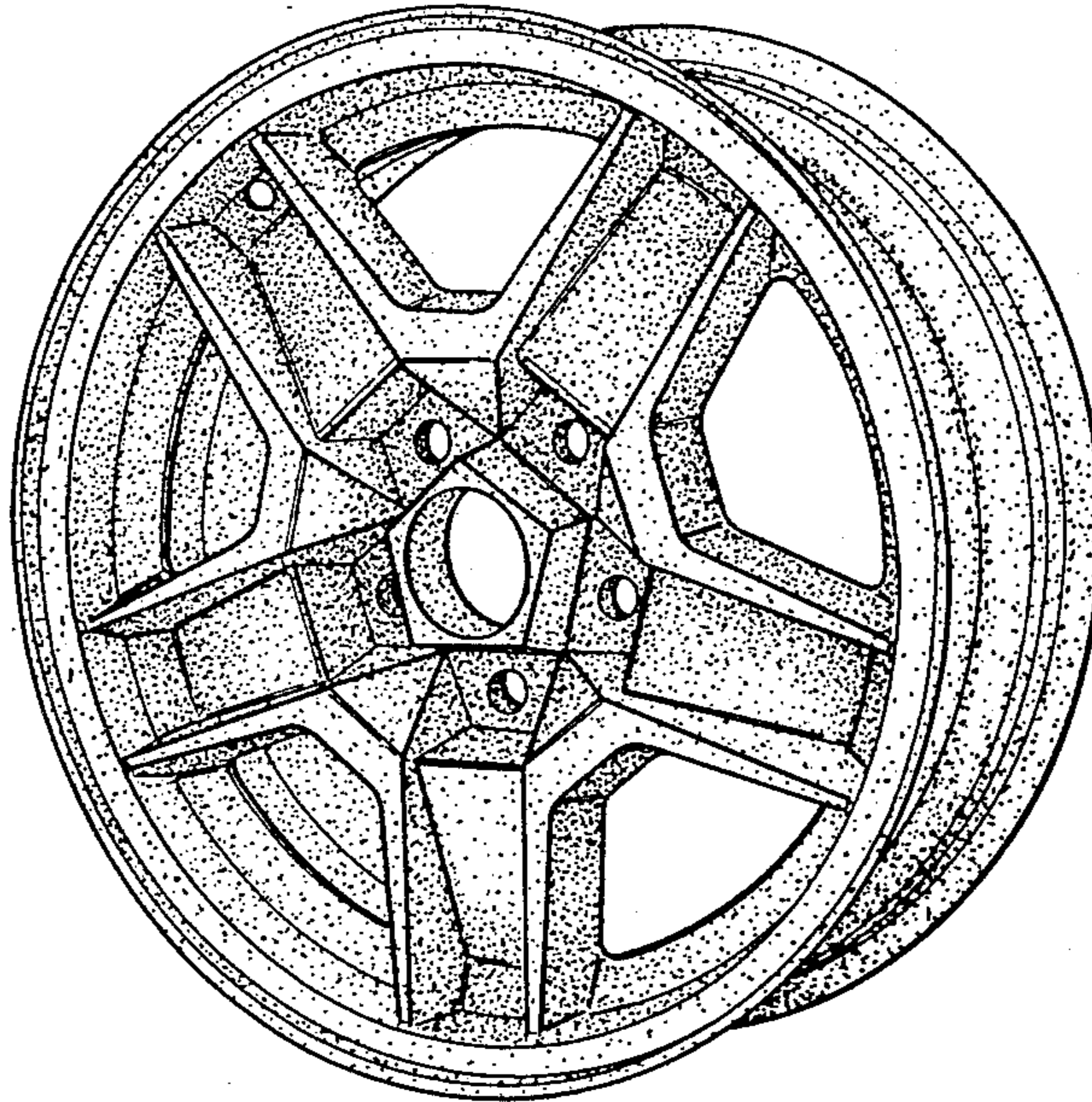
*Attorney, Agent, or Firm*—Young & Thompson

[57] **CLAIM**

The ornamental design for a wheel, as shown.

**DESCRIPTION**

FIG. 1 is a front and side perspective view of a wheel showing my new design;  
FIG. 2 is a front perspective view thereof;  
FIG. 3 is a rear and side perspective view thereof; and  
FIG. 4 is a side elevational view thereof.



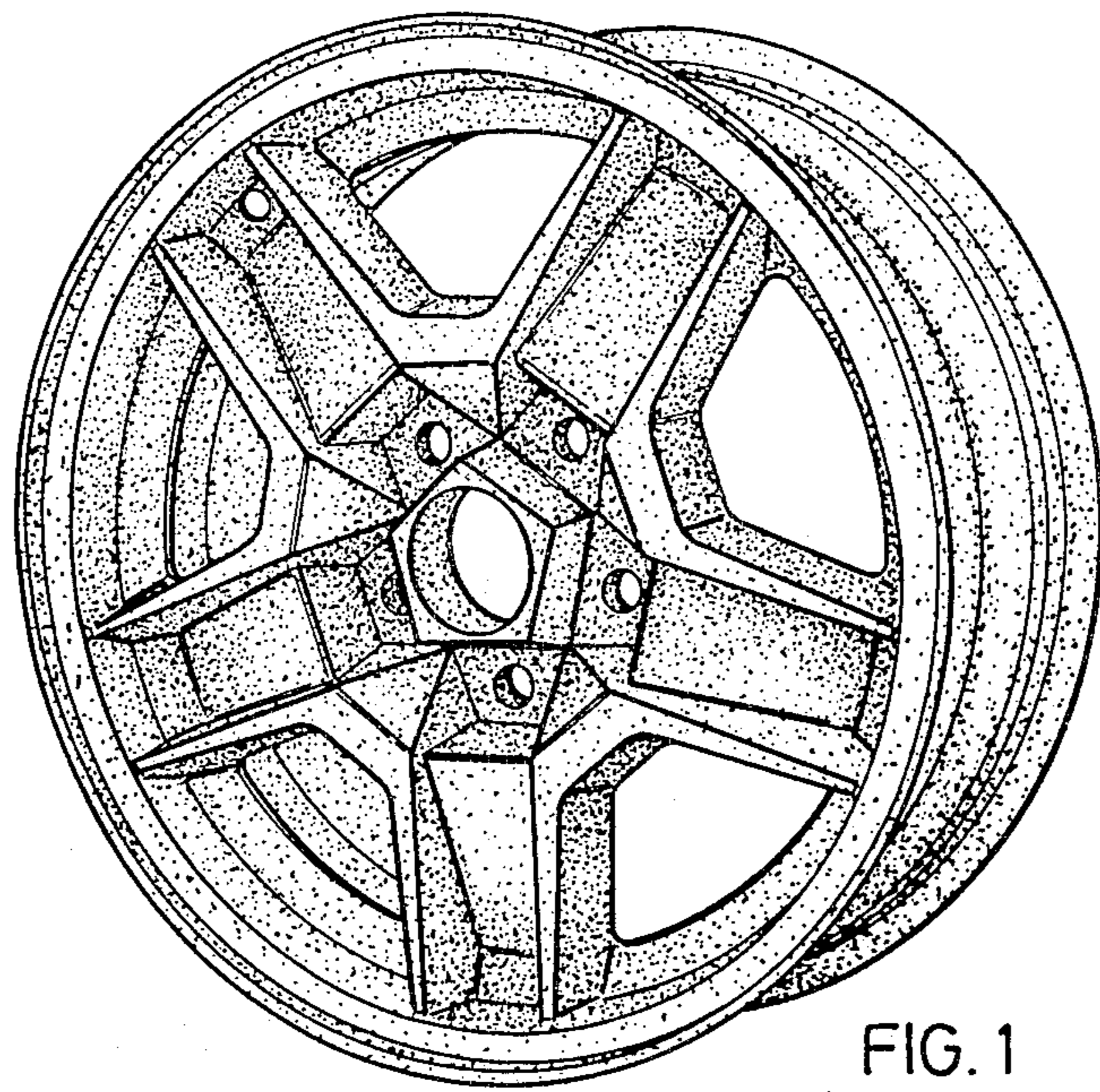


FIG. 1

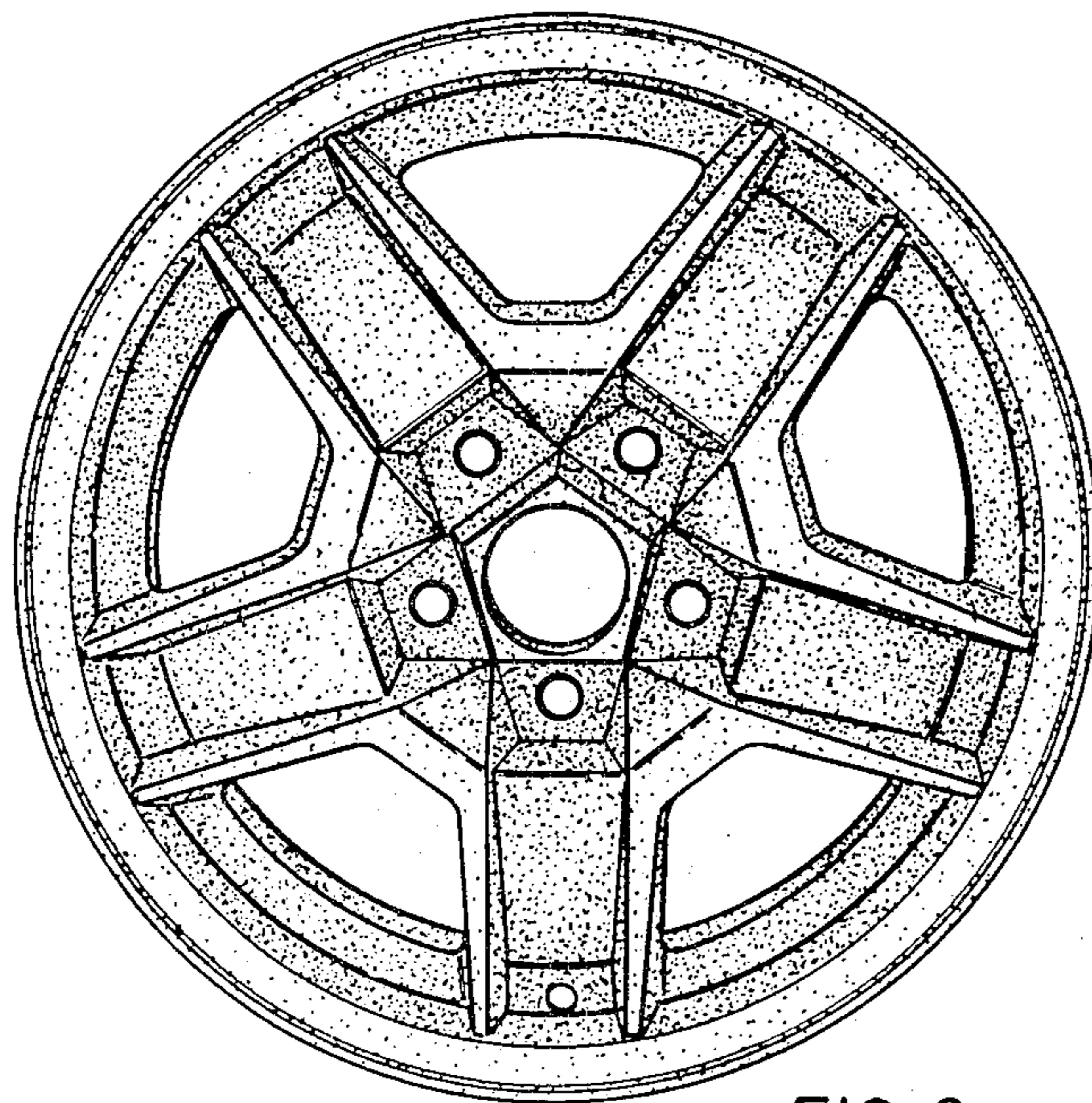


FIG. 2

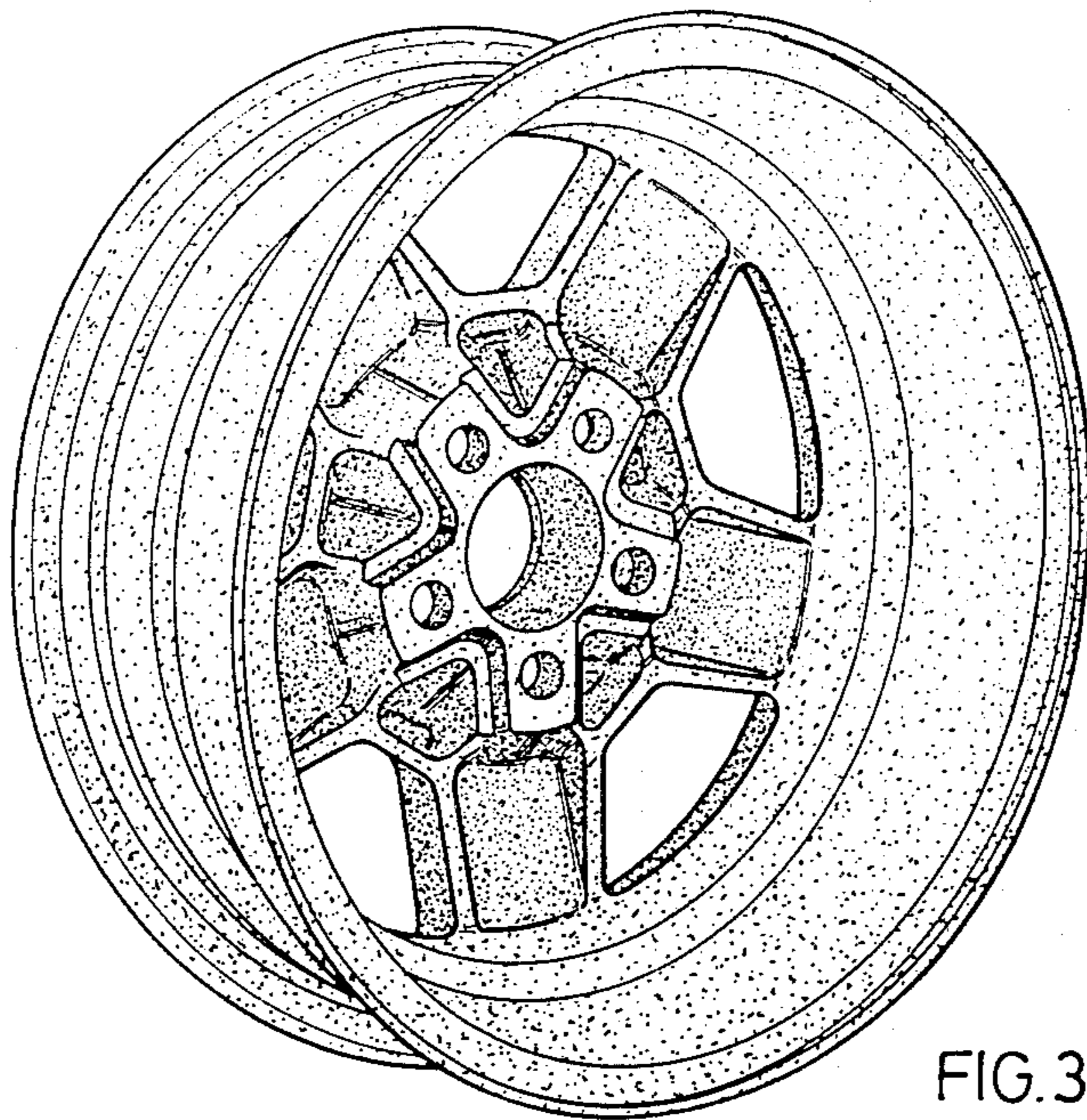


FIG. 3



FIG. 4