

[54] VASE

D. 102,719 1/1937 Jackson ..... D11/155

[75] Inventor: Ambrogio Pozzi, Gallarate, Italy

OTHER PUBLICATIONS

[73] Assignee: Rosenthal Aktiengesellschaft  
Rechtsabteilung, Fed. Rep. of  
Germany

Haeger Pottery Cat.; ©1950; Section V; p. 2; Vase  
3481-Y Vase.

"The Glass of Frederick Cardeu" by P. V. Gardner,  
©1971; p. 260, Vase 1653.

[\*\*] Term: 14 Years

Primary Examiner—B. J. Bullock

[21] Appl. No.: 643,663

Attorney, Agent, or Firm—Ostrolenk, Faber, Gerb &  
Soffen

[22] Filed: Aug. 23, 1984

[57] CLAIM

[30] Foreign Application Priority Data

The ornamental design for vase, as shown and de-  
scribed.

Feb. 23, 1984 [DE] Fed. Rep. of Germany ..... 7368

[52] U.S. Cl. .... D11/143

[58] Field of Search ..... D11/143-155;  
47/41 R, 72; 428/35

DESCRIPTION

[56] References Cited

U.S. PATENT DOCUMENTS

D. 83,119 1/1931 Meyer ..... D11/146

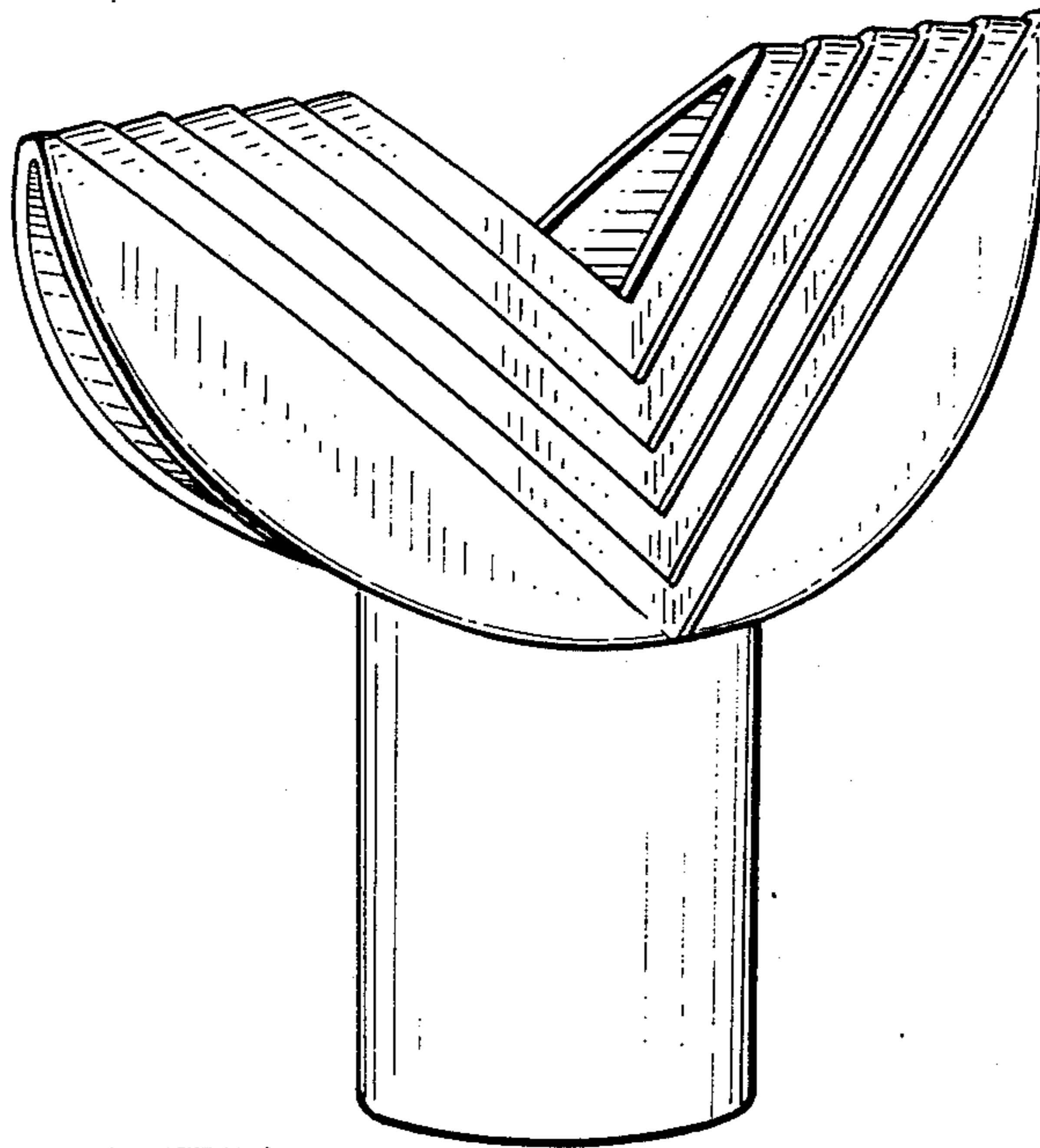
FIG. 1 is a front perspective view of a vase showing my  
new design, the rear being identical;

FIG. 2 is an end view thereof, both ends being identical;

FIG. 3 is a top view thereof;

FIG. 4 is a front elevational view thereof; and

FIG. 5 is a bottom view thereof.



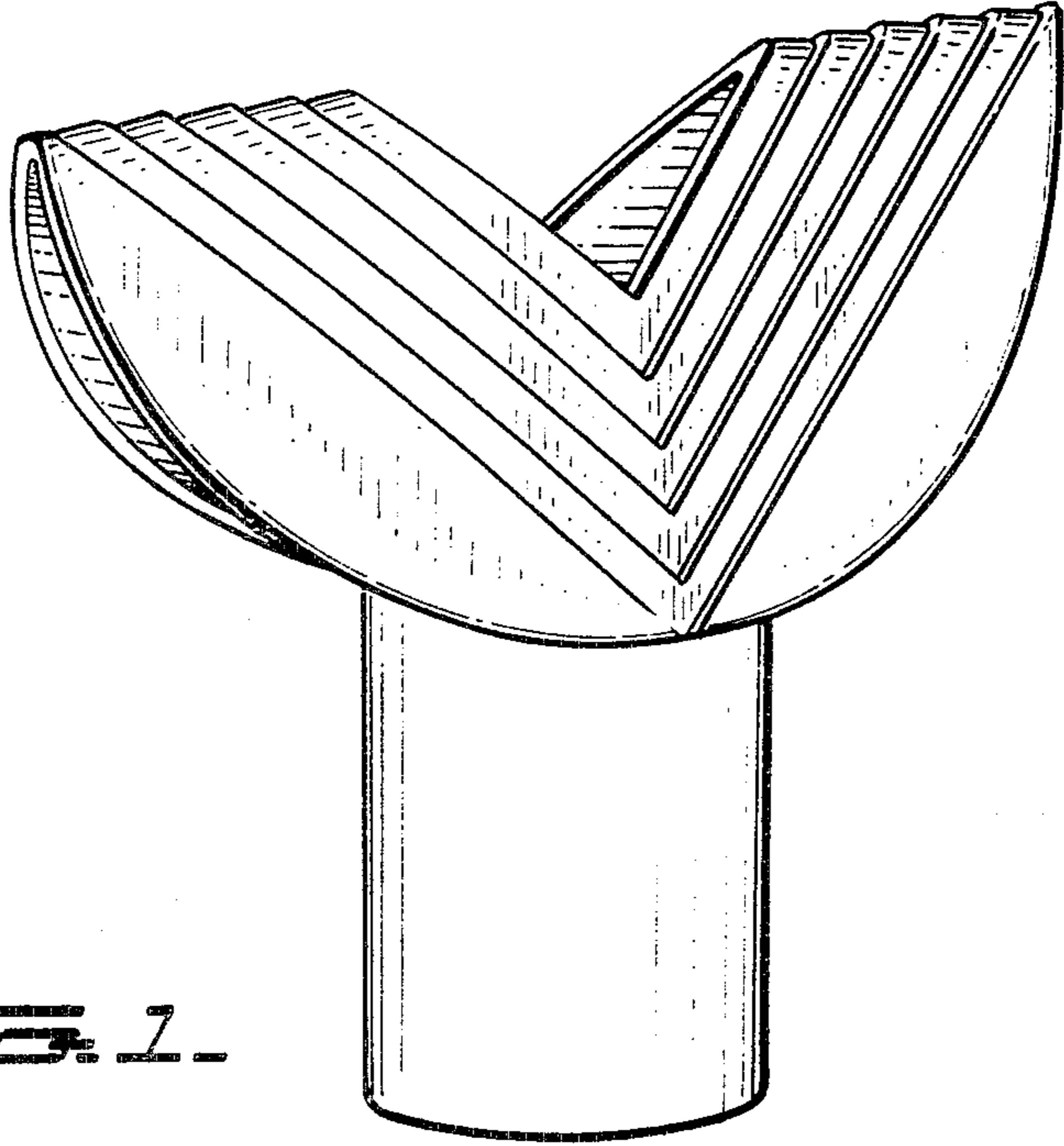


FIG. 1.

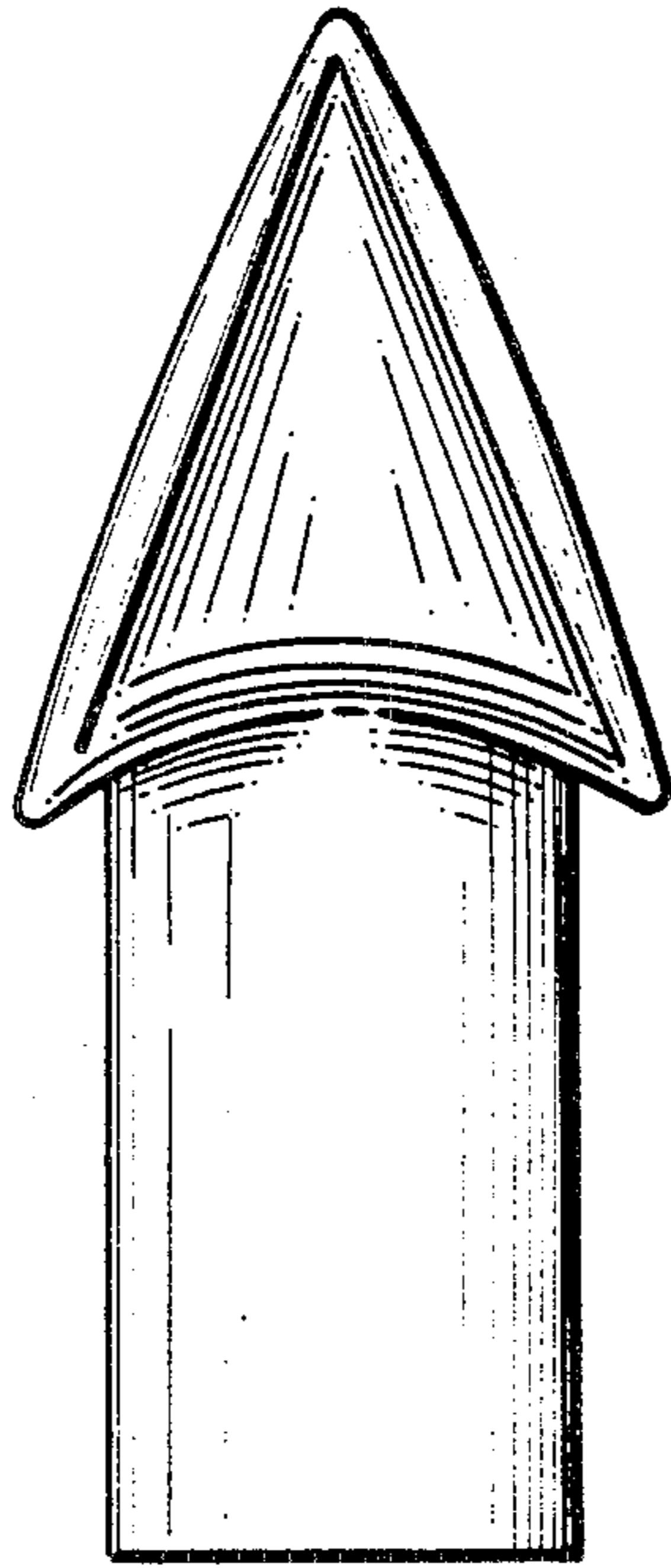


FIG. 2.

FIG. 3.

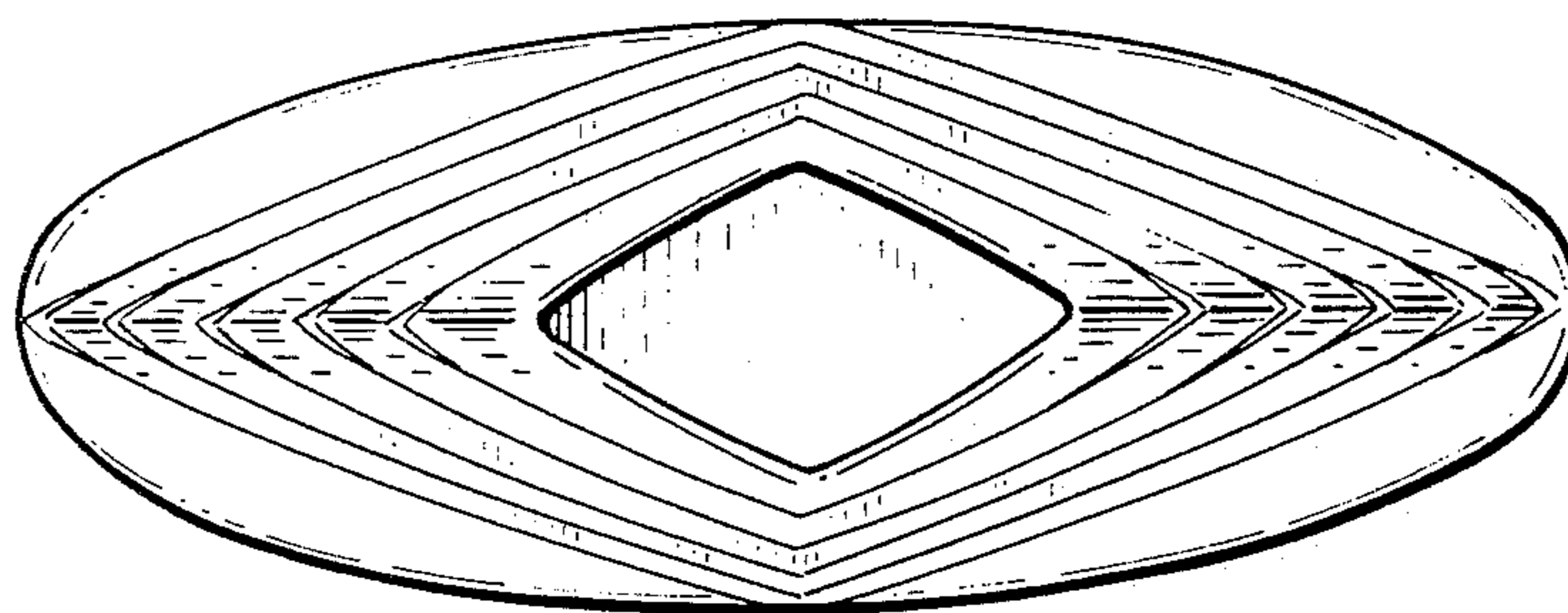


FIG. 4.

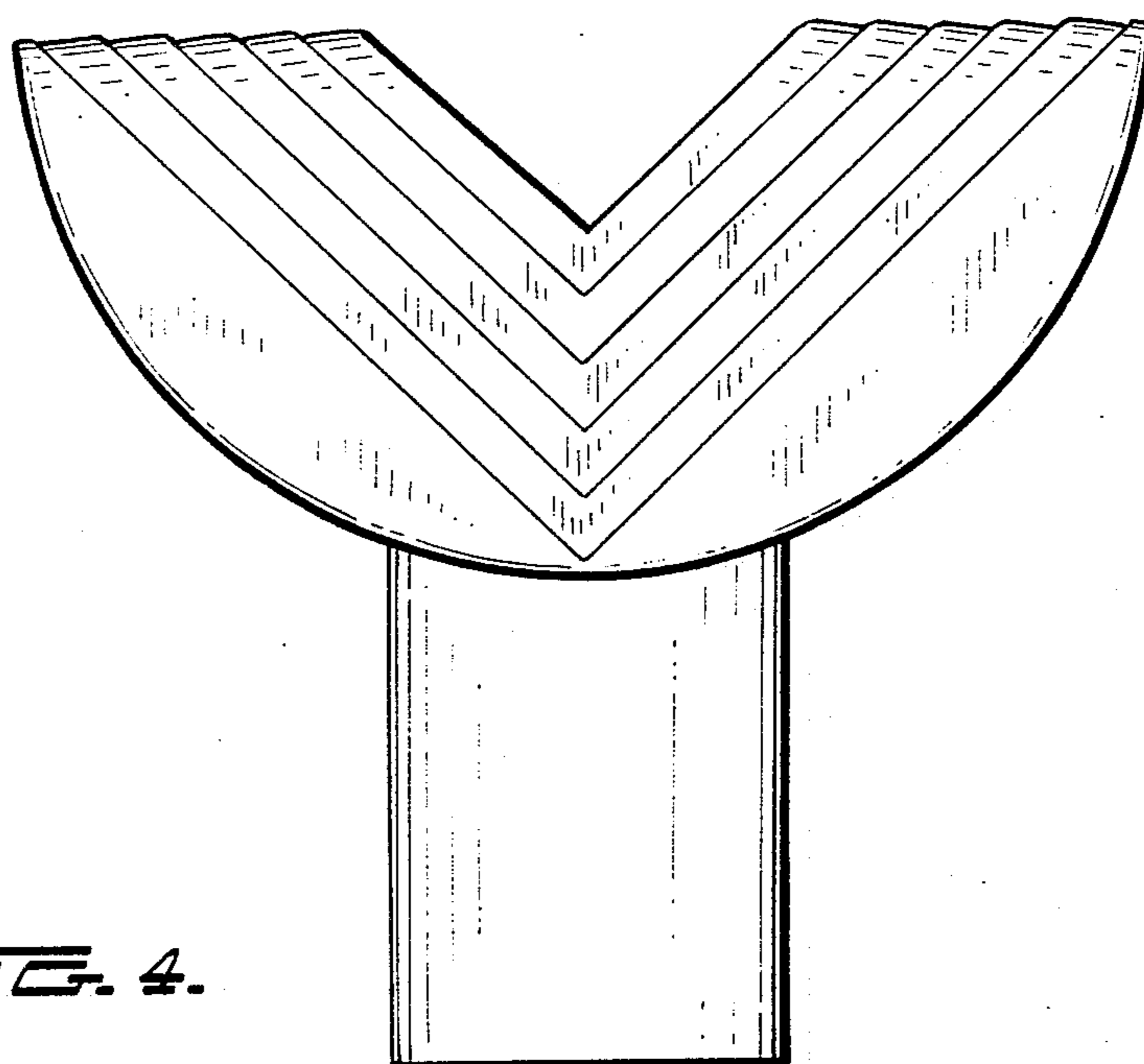


FIG. 5.

