

[54] CAP FOR EXTRUSION TUBES AND THE LIKE

[75] Inventor: Bernard Schneider, Sainte Ménehould, France

[73] Assignee: Tuboplast s.a., Paris, France

[**] Term: 14 Years

[21] Appl. No.: 568,241

[22] Filed: Jan. 3, 1984

[52] U.S. Cl. D9/435; 138/89

[58] Field of Search D9/435, 442, 434, 452, D9/453, 454, 447; D23/41; 138/89, 96 R, 44; 215/295, 305; 220/260; 222/92

[56] References Cited

U.S. PATENT DOCUMENTS

- D. 123,502 11/1940 Jung D9/453
- D. 124,385 12/1940 Jung D9/453
- D. 169,359 4/1953 Ciampa D21/87 X

- D. 171,608 3/1954 Mather D21/87 X
- D. 183,564 9/1958 Erstad D21/87 X
- 1,844,215 2/1932 Edwards 222/92
- 1,849,586 3/1932 Offley 222/92
- 3,295,730 1/1967 Moran 222/92 X
- 4,469,235 9/1984 Parker 215/295

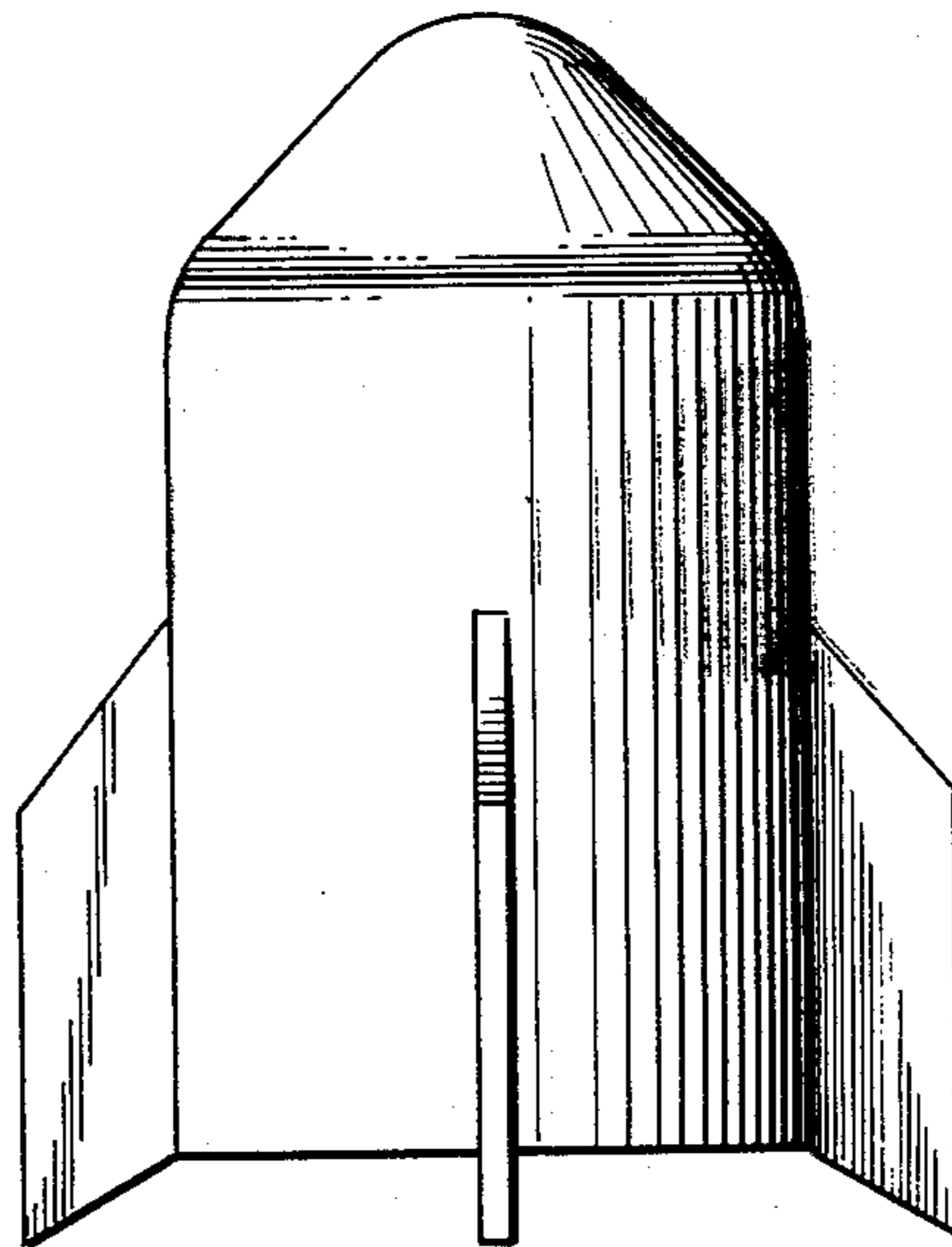
Primary Examiner—Bernard Ansher
Assistant Examiner—Linda Titolo
Attorney, Agent, or Firm—Mason, Fenwick & Lawrence

[57] CLAIM

The ornamental design for a cap for extrusion tubes and the like, substantially as shown and described.

DESCRIPTION

FIG. 1 is a side elevational view of a cap for extrusion tubes and the like, embodying my new design, the opposite side being a mirror image thereof;
FIG. 2 is a top plan view thereof;
FIG. 3 is a bottom plan view thereof; and
FIG. 4 is a cross-sectional view thereof, taken on line 4—4 of FIG. 2.



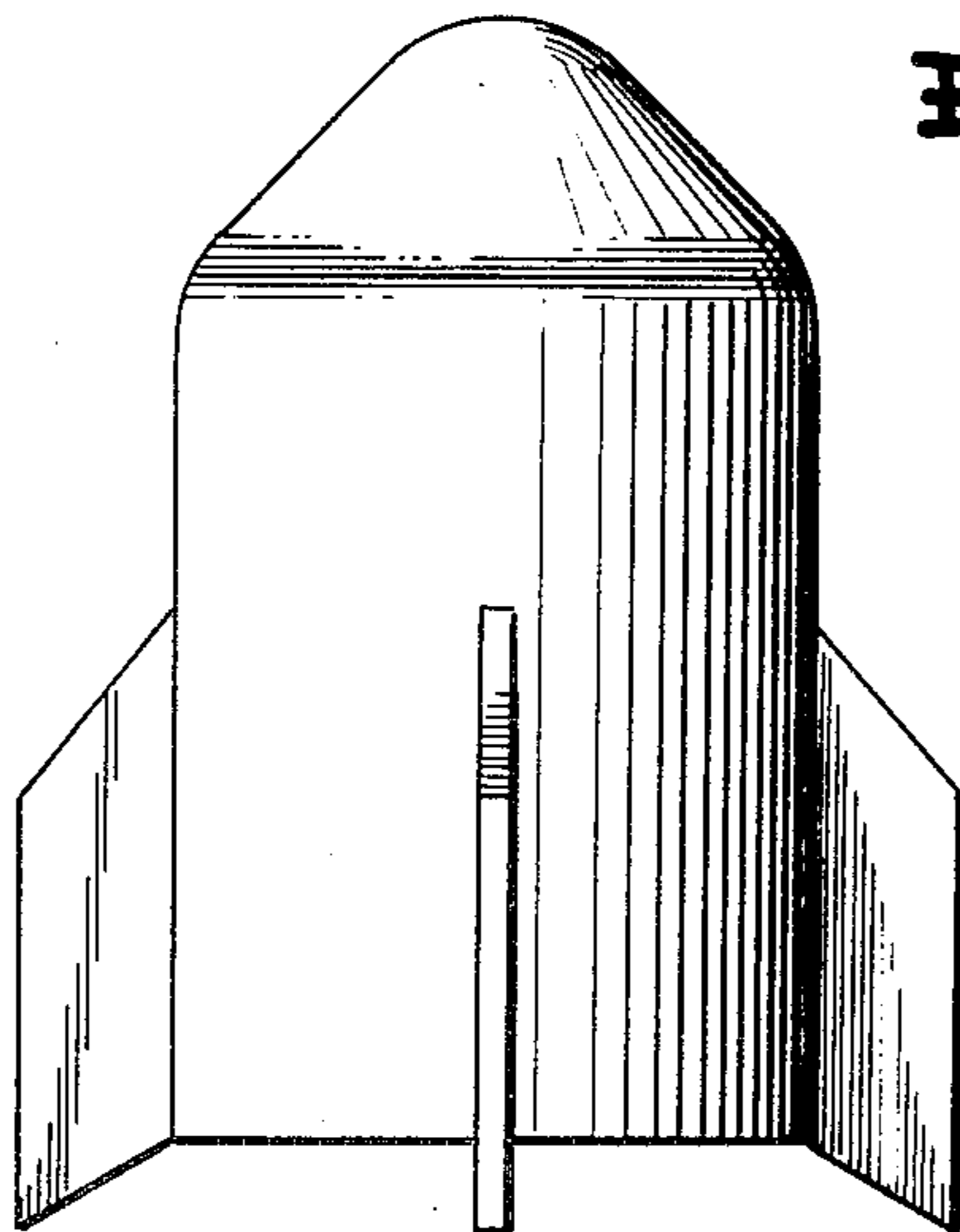


FIG-1

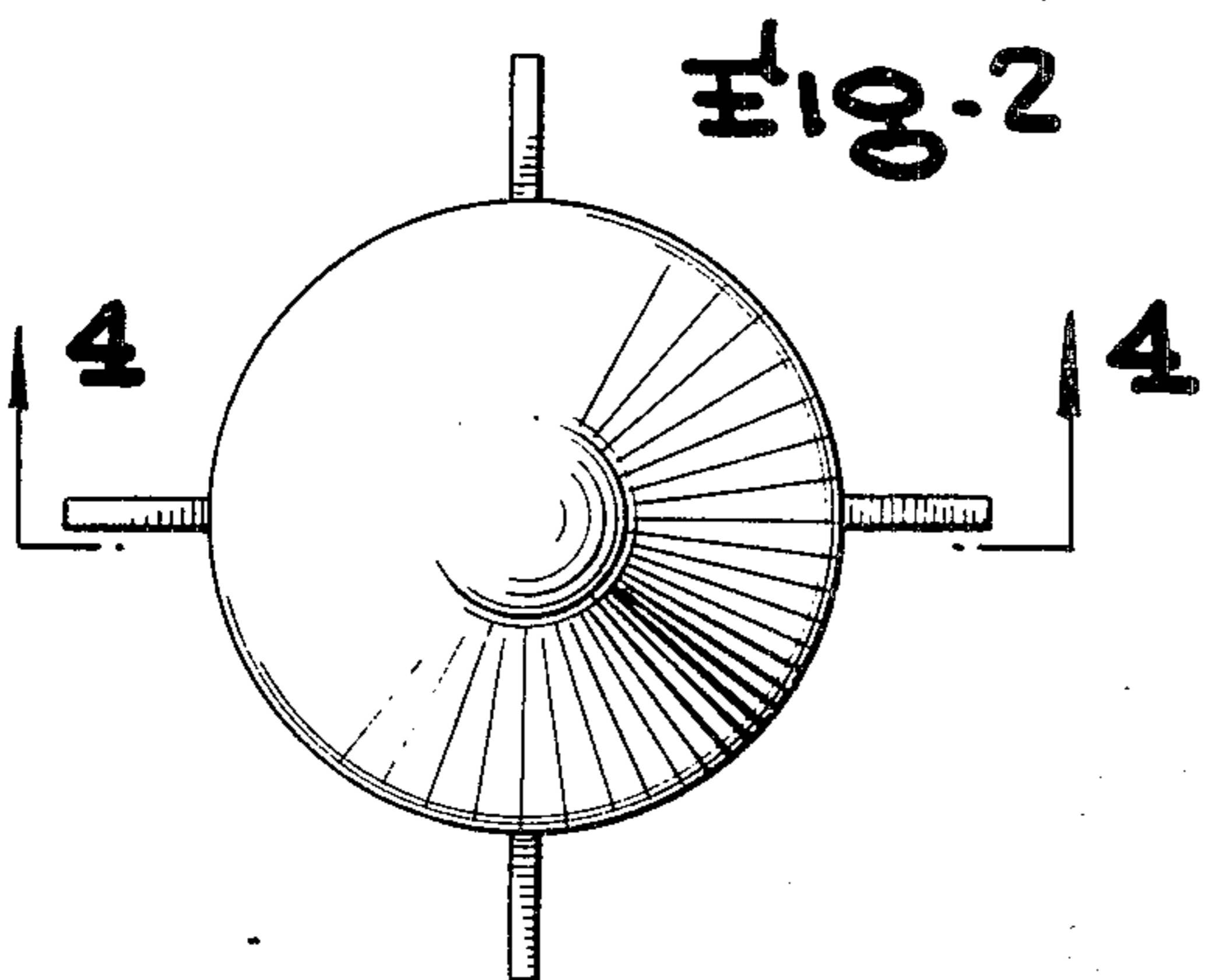


FIG-2

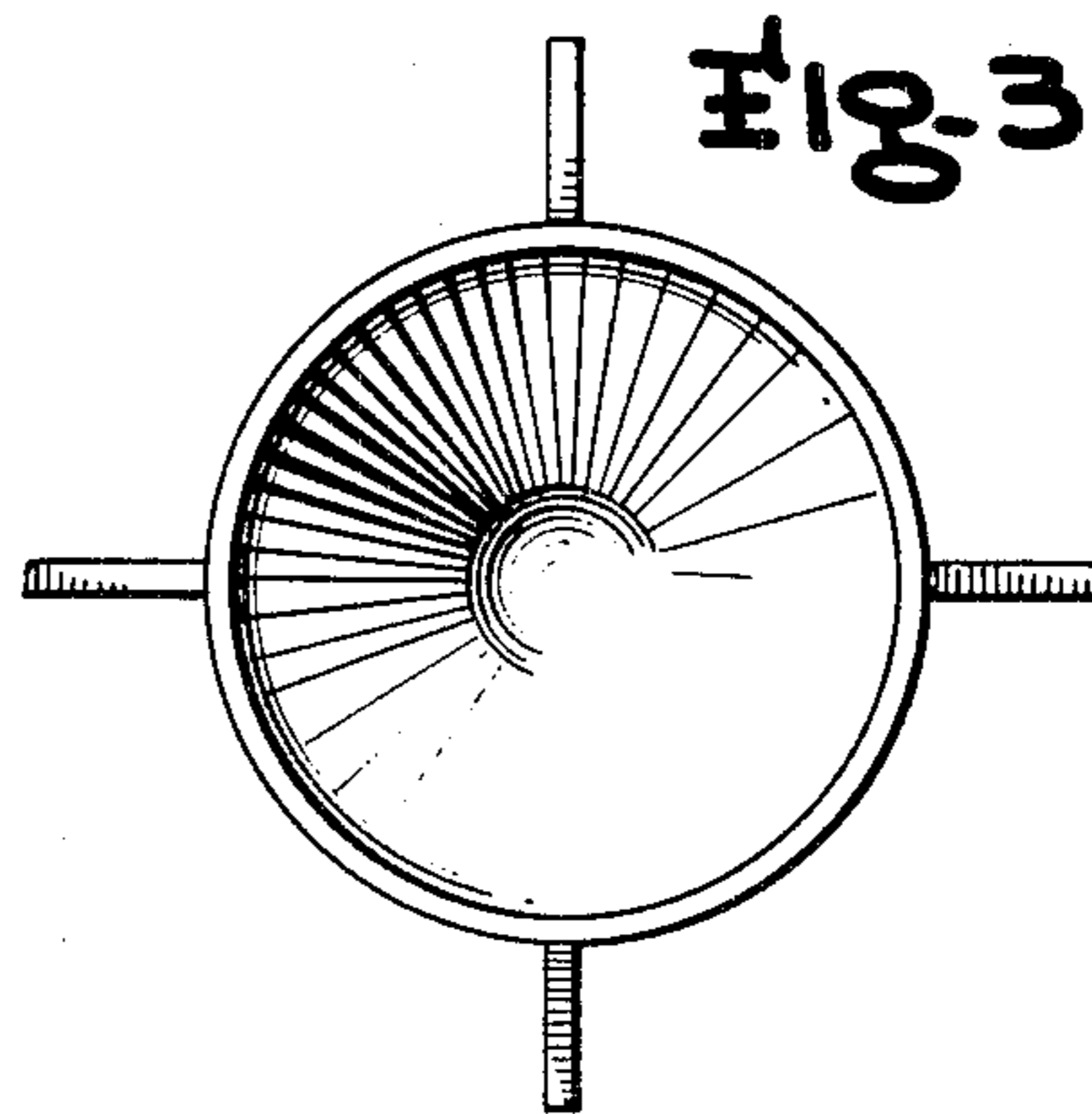


FIG-3

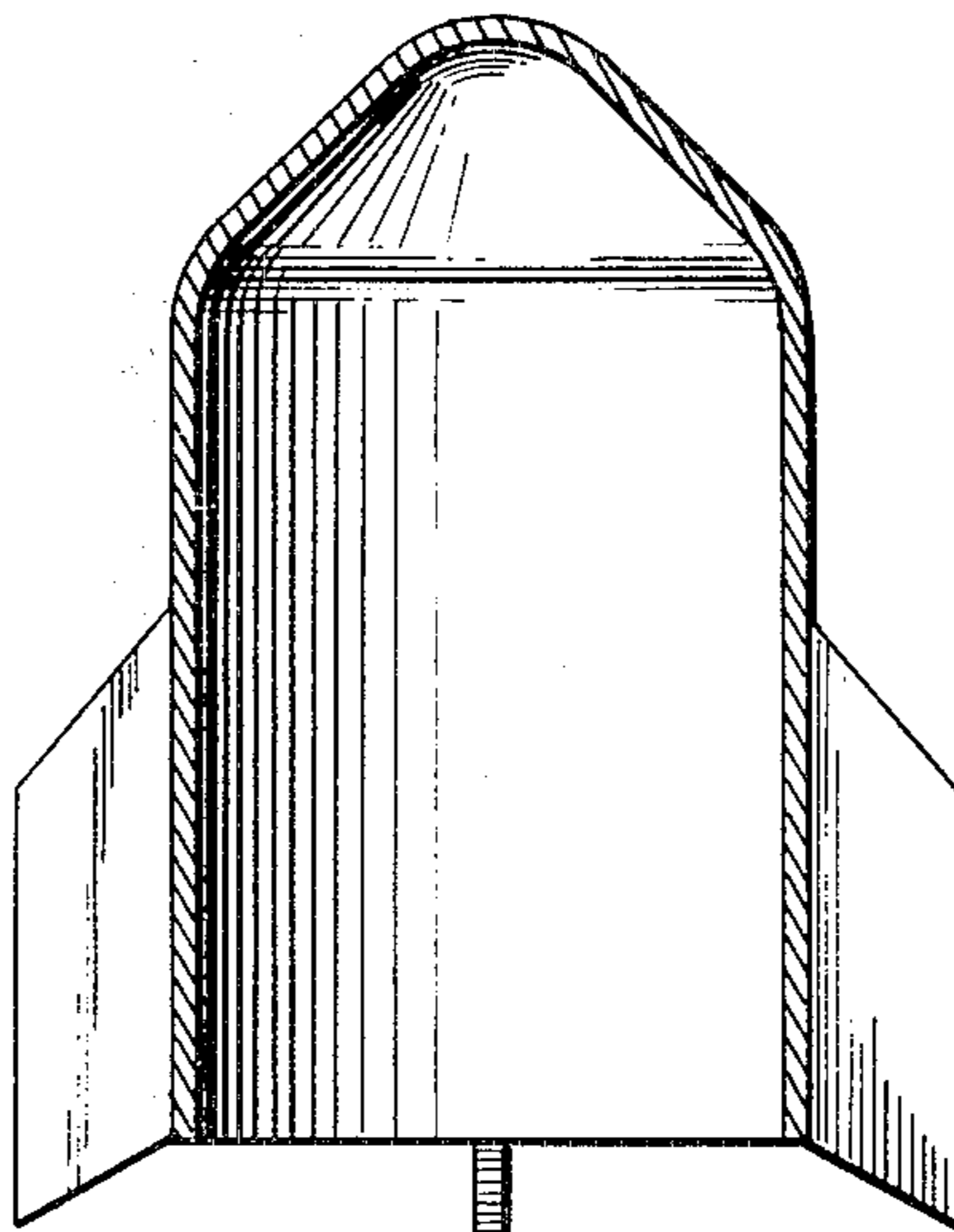


FIG-4