

[54] COMBINED BOTTLE AND CAP

[75] Inventors: Steen Vesborg, Gentofte; Henrik Jacobsen, Vedbaek, both of Denmark

[73] Assignee: Colgate-Palmolive Company, New York, N.Y.

[**] Term: 14 Years

[21] Appl. No.: 590,313

[22] Filed: Mar. 16, 1984

[30] Foreign Application Priority Data

Sep. 2, 1983 [DK] Denmark 83.823
Sep. 2, 1983 [DK] Denmark 83.824

[52] U.S. Cl. D9/376

[58] Field of Search D9/378, 374, 376;
215/1 R, 1 C

[56] References Cited

U.S. PATENT DOCUMENTS

D. 218,220 8/1970 Hills D9/376
D. 218,801 9/1970 Hills D9/376
D. 223,807 6/1972 Thomson D9/376
D. 277,733 2/1985 Aldrich, III et al. D9/376

Primary Examiner—Robert C. Spangler

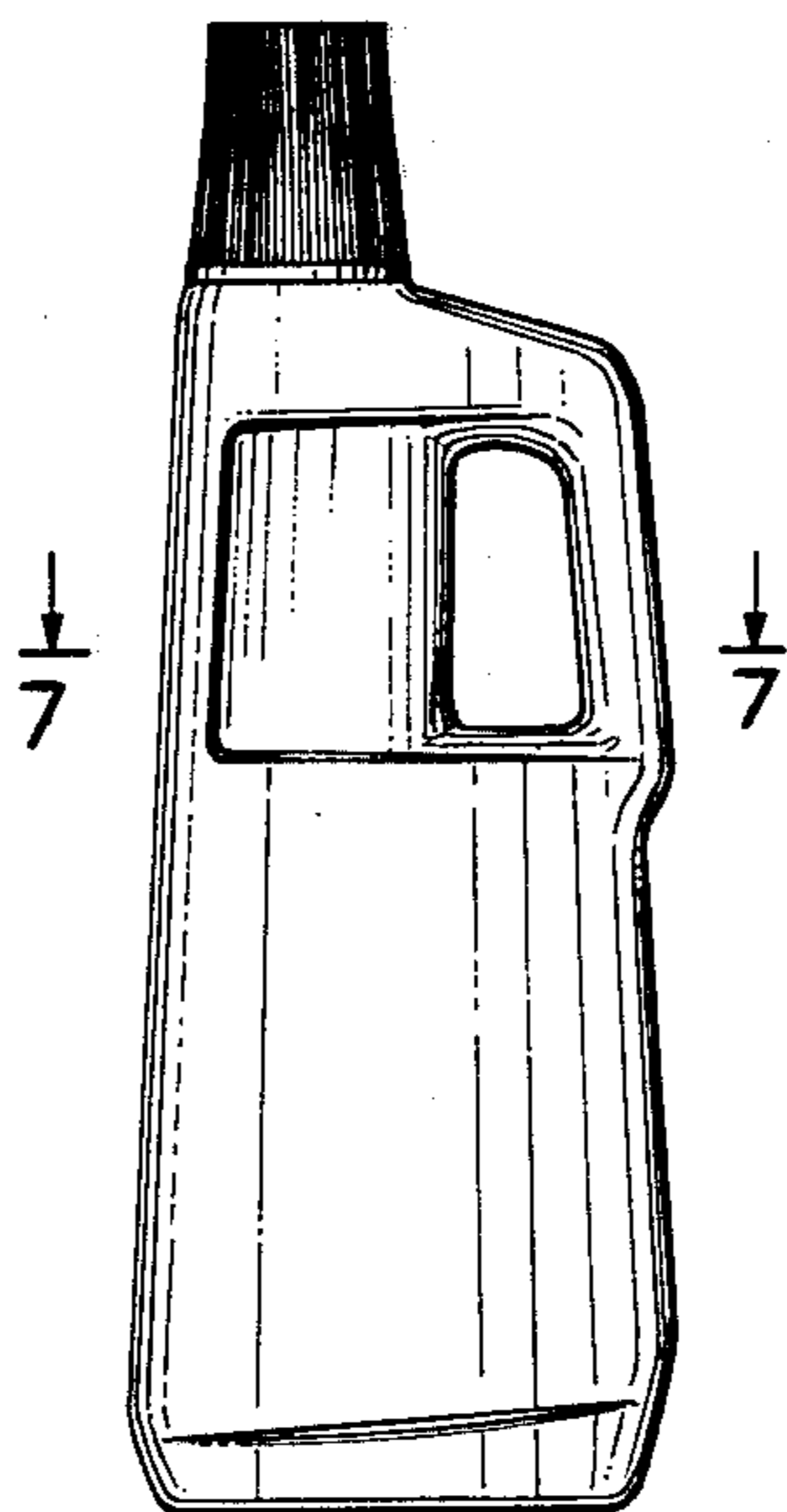
Attorney, Agent, or Firm—Herbert S. Sylvester; Murray M. Grill; John A. Stemwedel

[57] CLAIM

The ornamental design for a combined bottle and cap, substantially as shown and described.

DESCRIPTION

FIG. 1 is a perspective view of a combined bottle and cap showing our new design;
FIG. 2 is a side elevational view, the opposite side being substantially a mirror image thereof;
FIG. 3 is a view looking from the left of FIG. 2;
FIG. 4 is a view looking from the right of FIG. 2;
FIG. 5 is a top plan view;
FIG. 6 is a bottom plan view; and
FIG. 7 is a cross-sectional view taken on the line 7—7 of FIG. 2;
FIG. 8 is a perspective view showing a modified form of our new design;
FIG. 9 is a side elevational view, the opposite side being substantially a mirror image thereof;
FIG. 10 is a view looking from the left of FIG. 9;
FIG. 11 is a view looking from the right of FIG. 9;
FIG. 12 is a top plan view;
FIG. 13 is a bottom plan view; and
FIG. 14 is a cross-sectional view taken on the line 14—14 of FIG. 9.



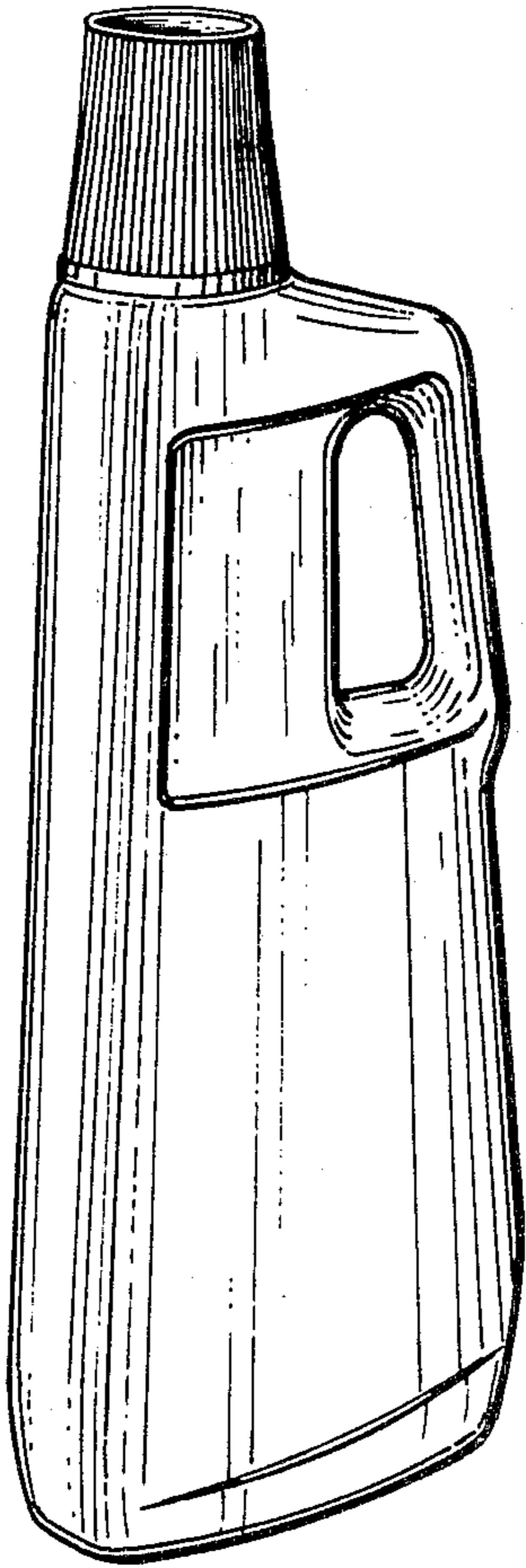


FIG. 1

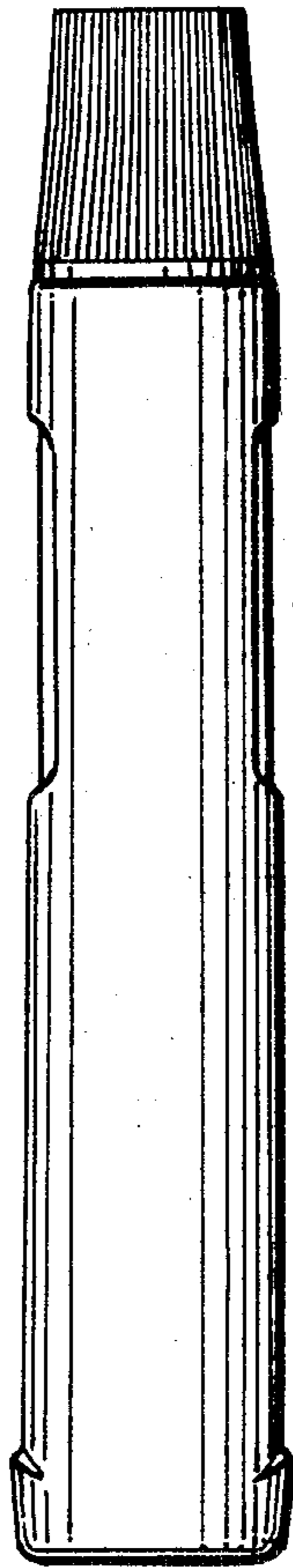


FIG. 3

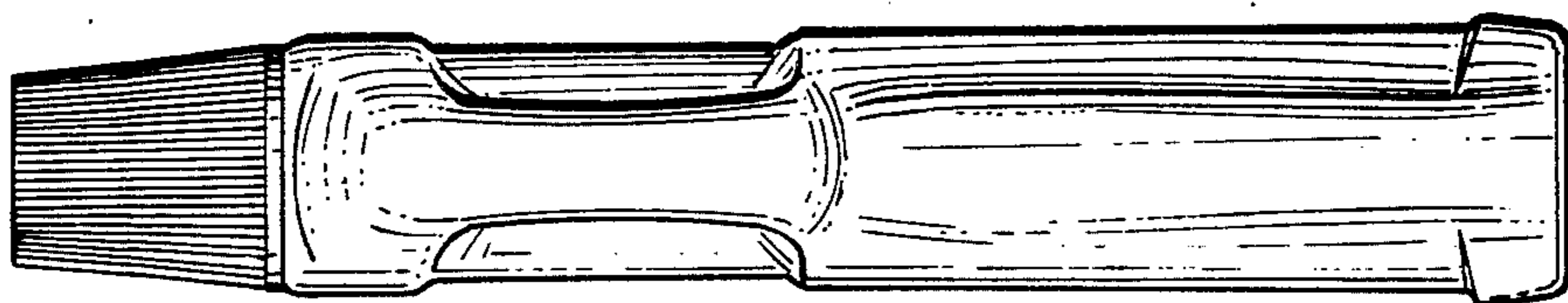


FIG. 4

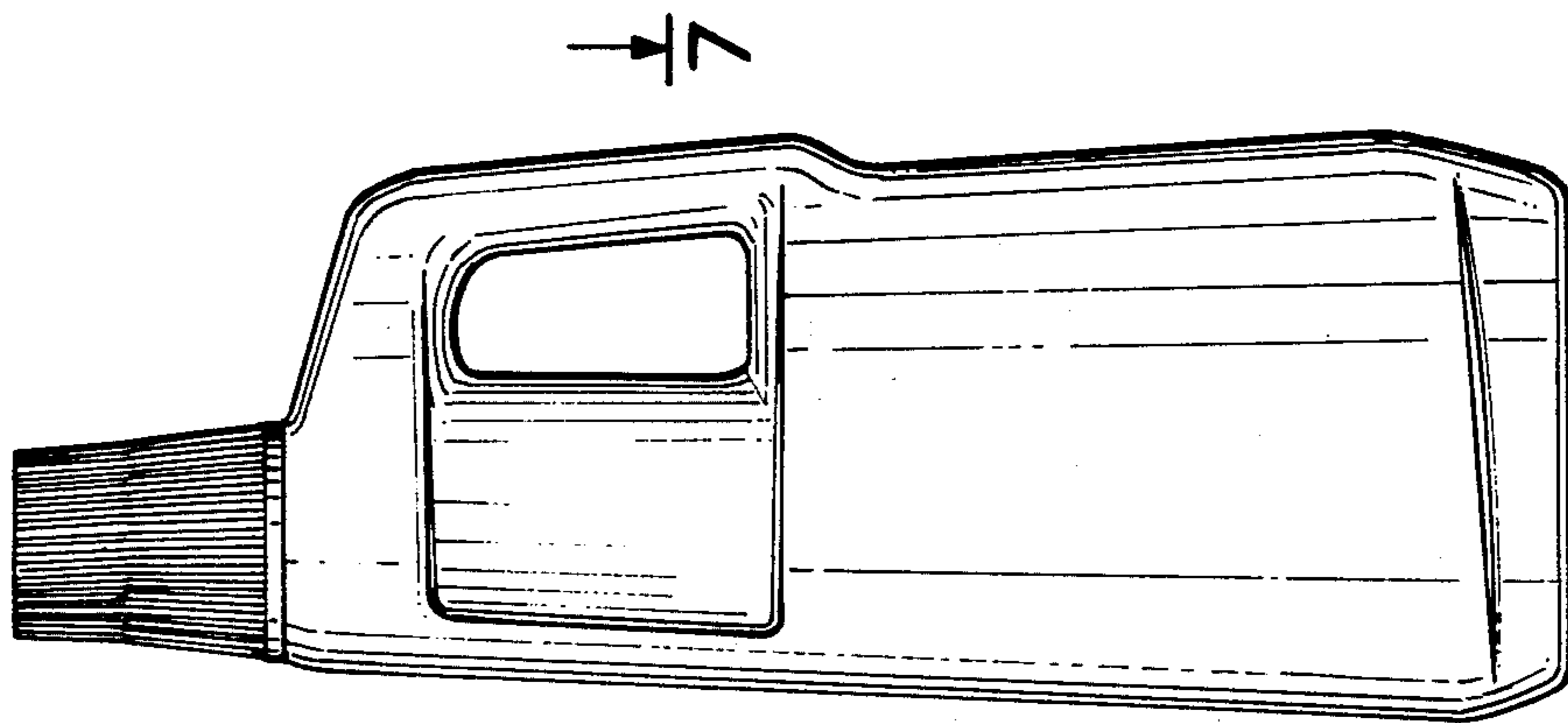


FIG. 2

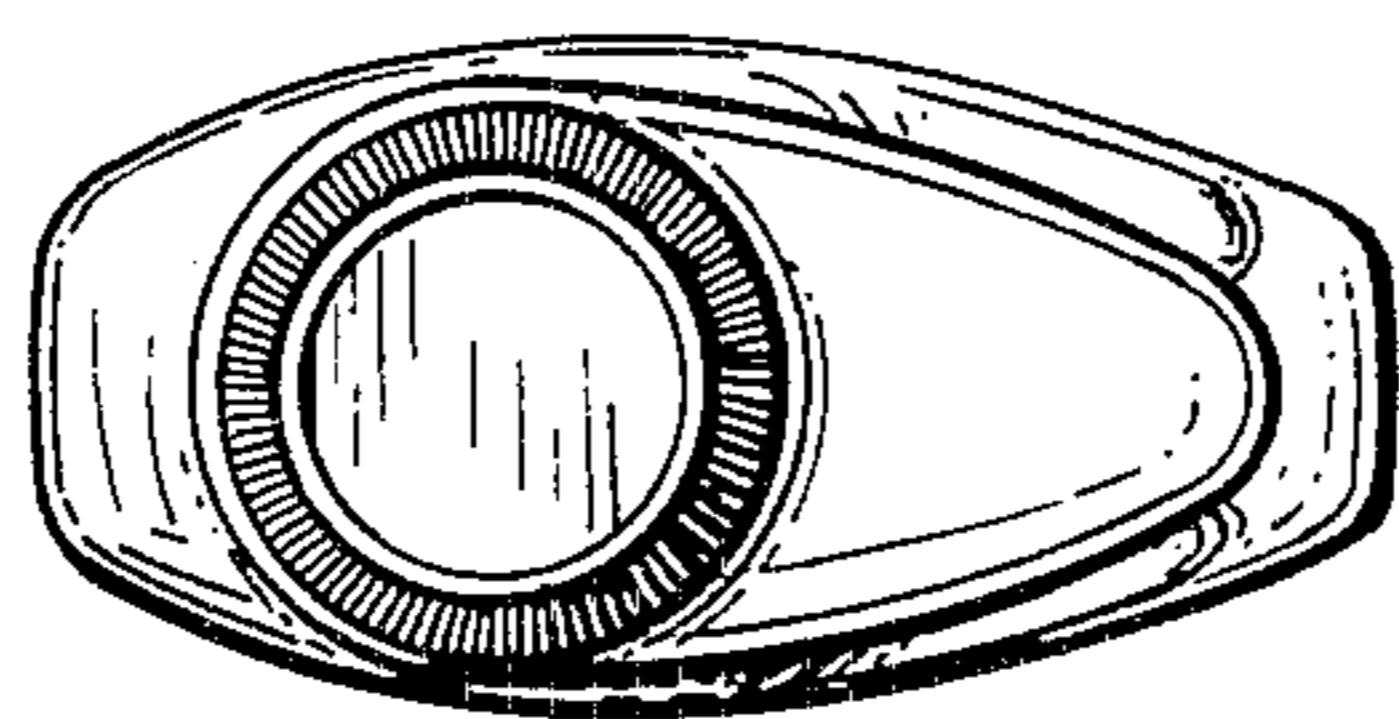


FIG. 5

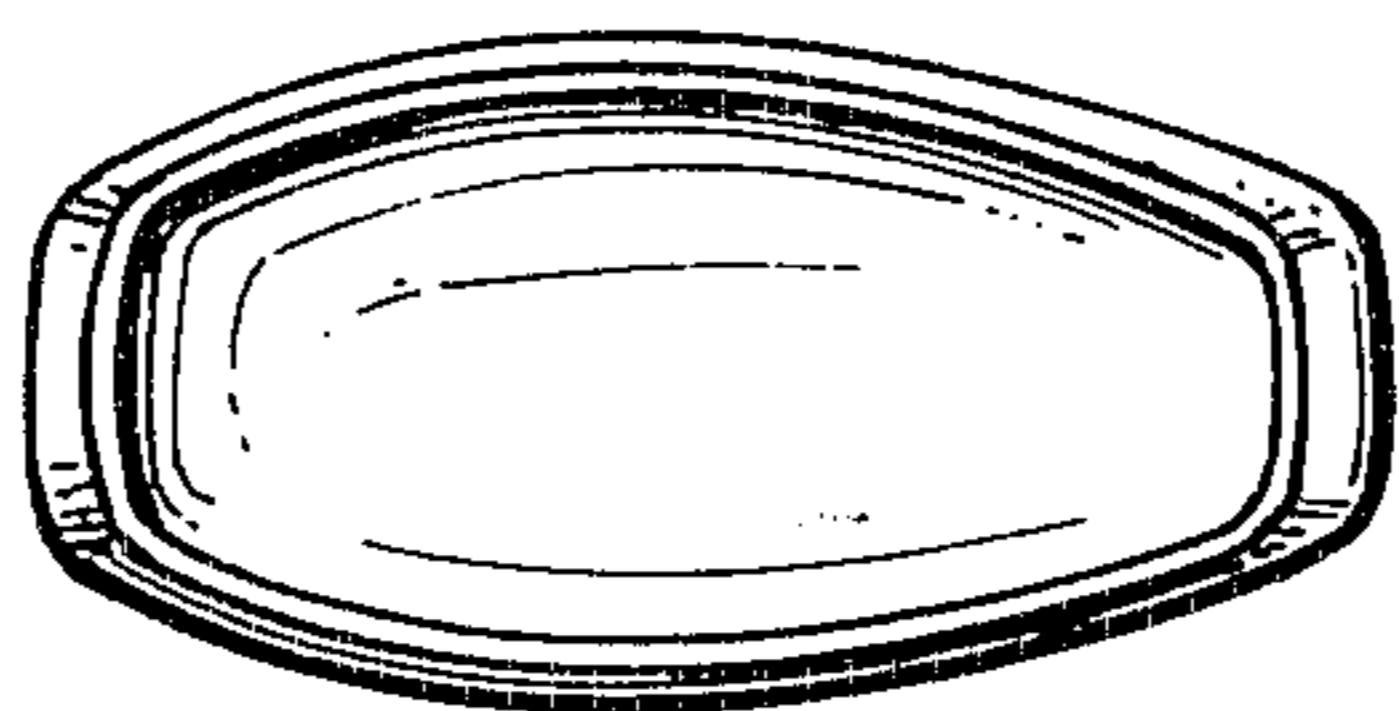


FIG. 6

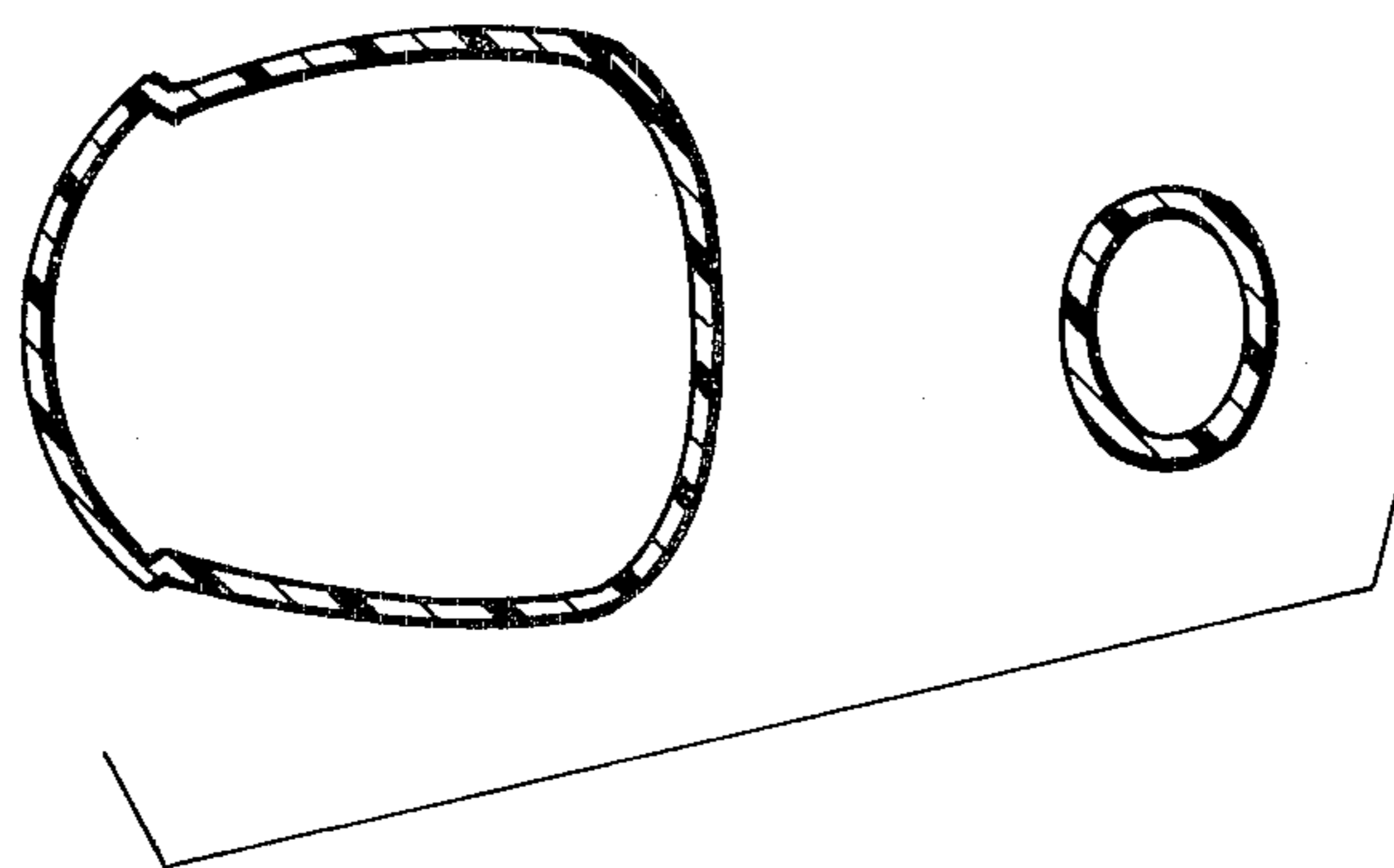


FIG. 7

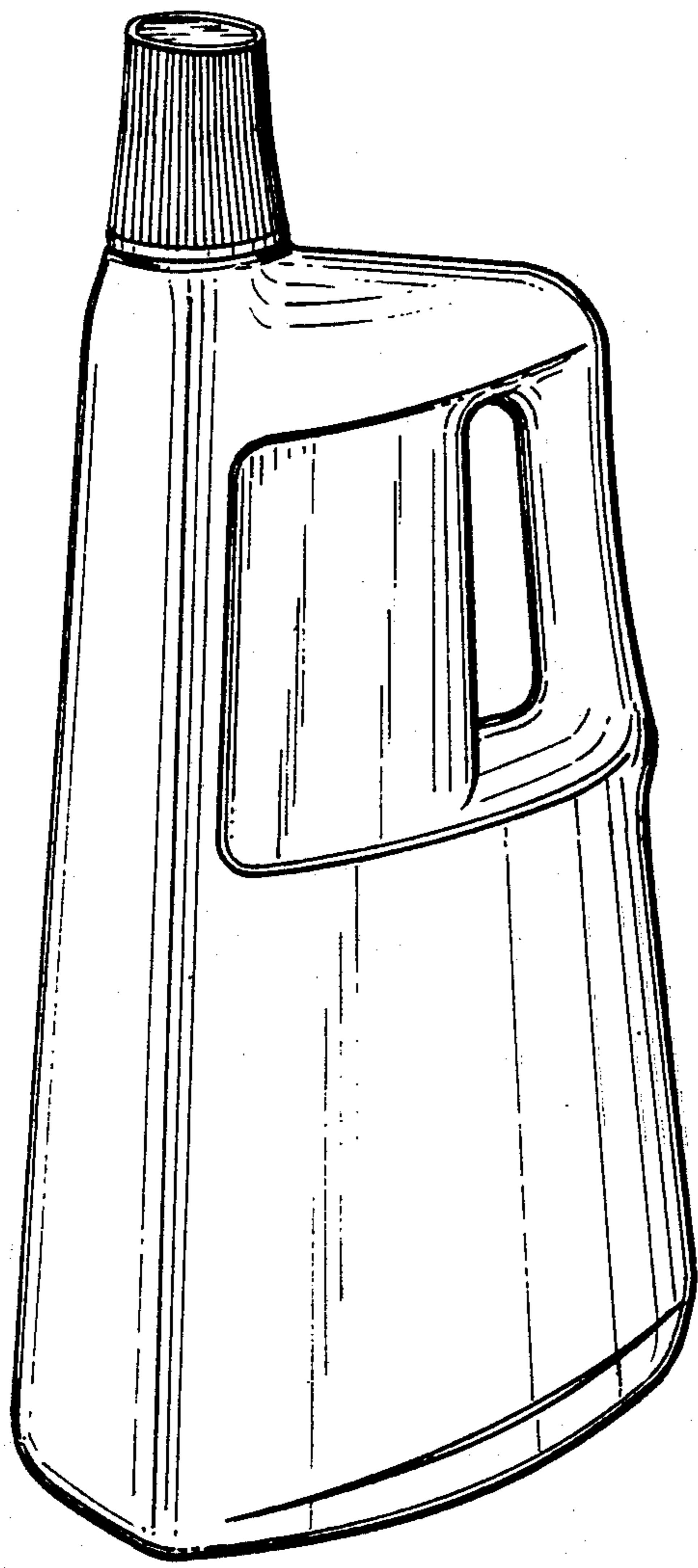


FIG. 8

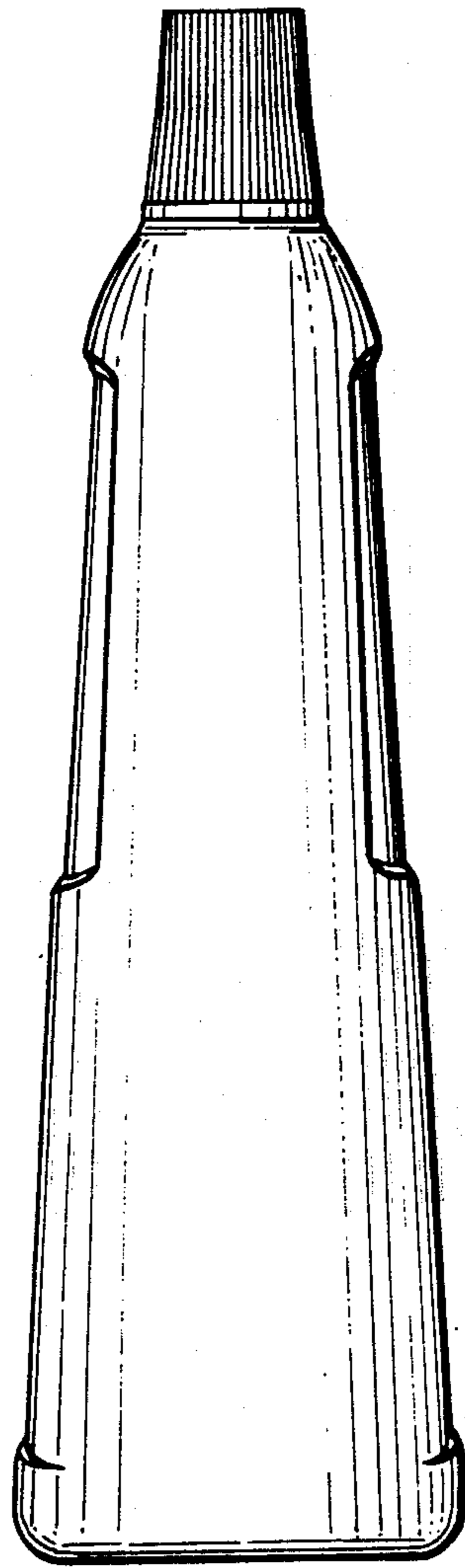


FIG. 10

FIG. 11

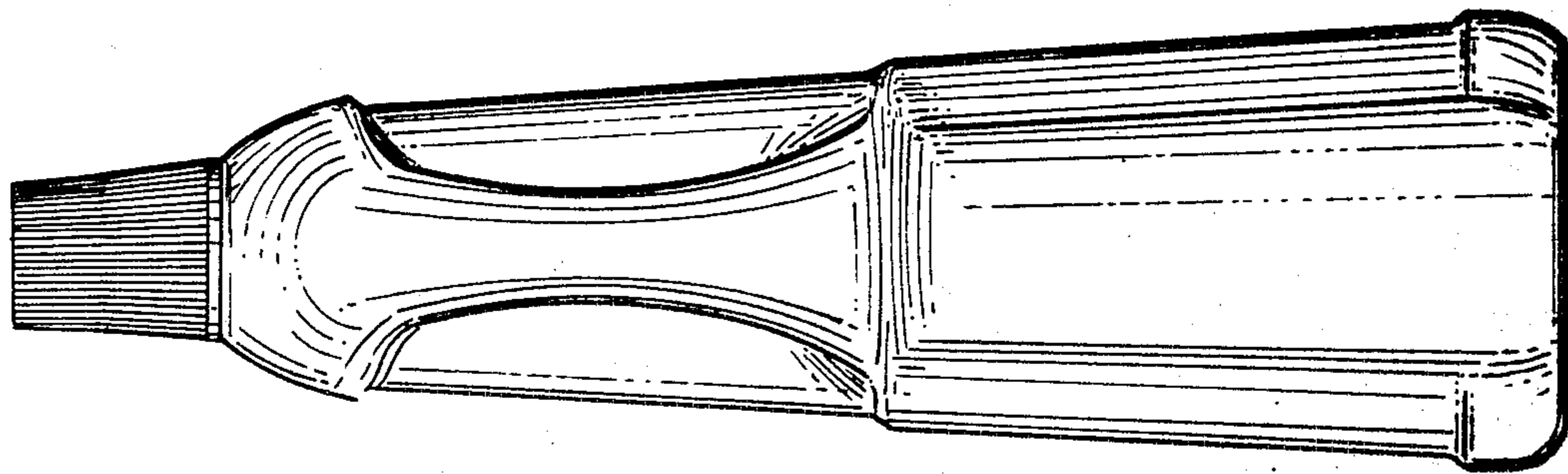
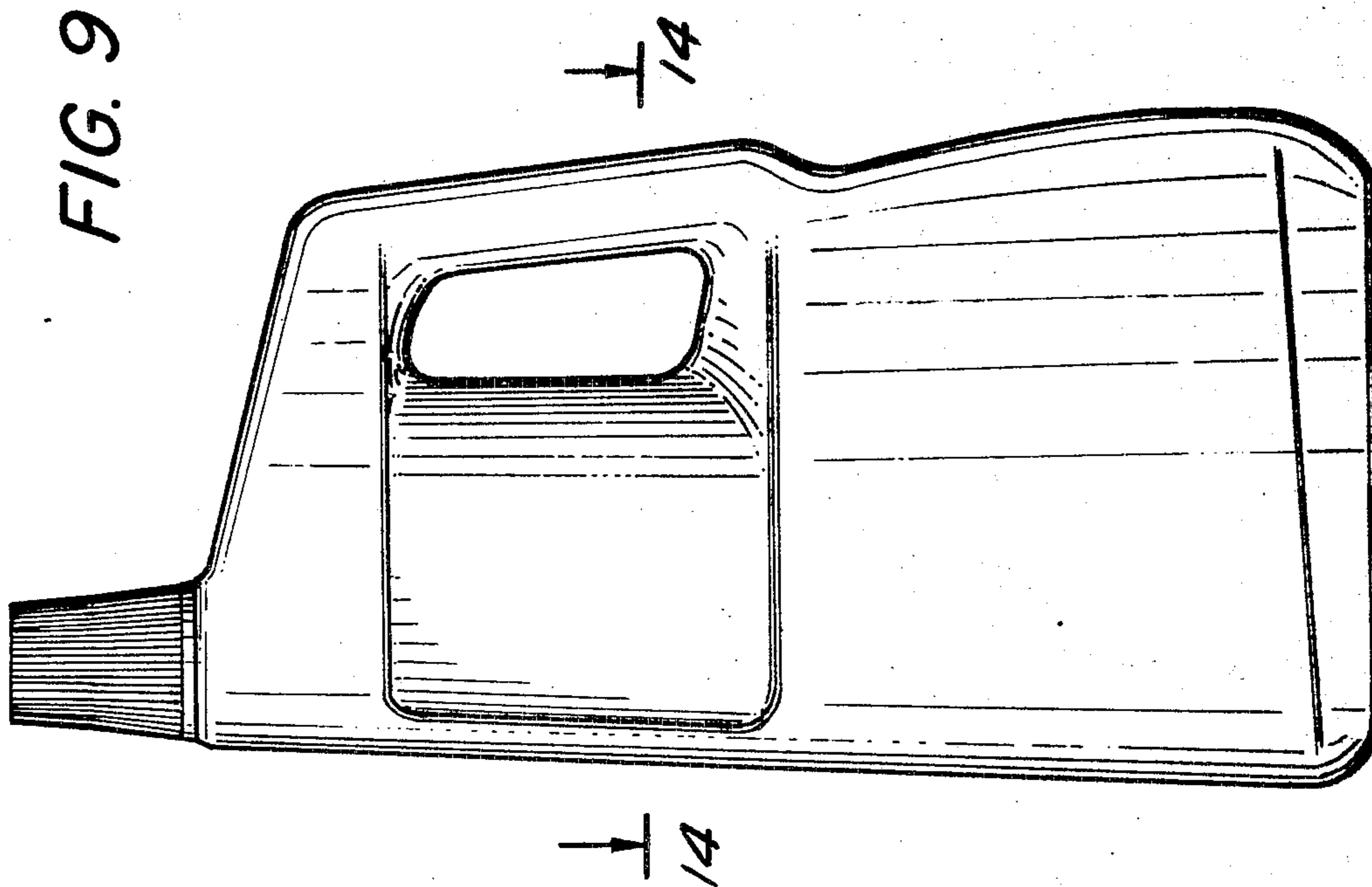


FIG. 9



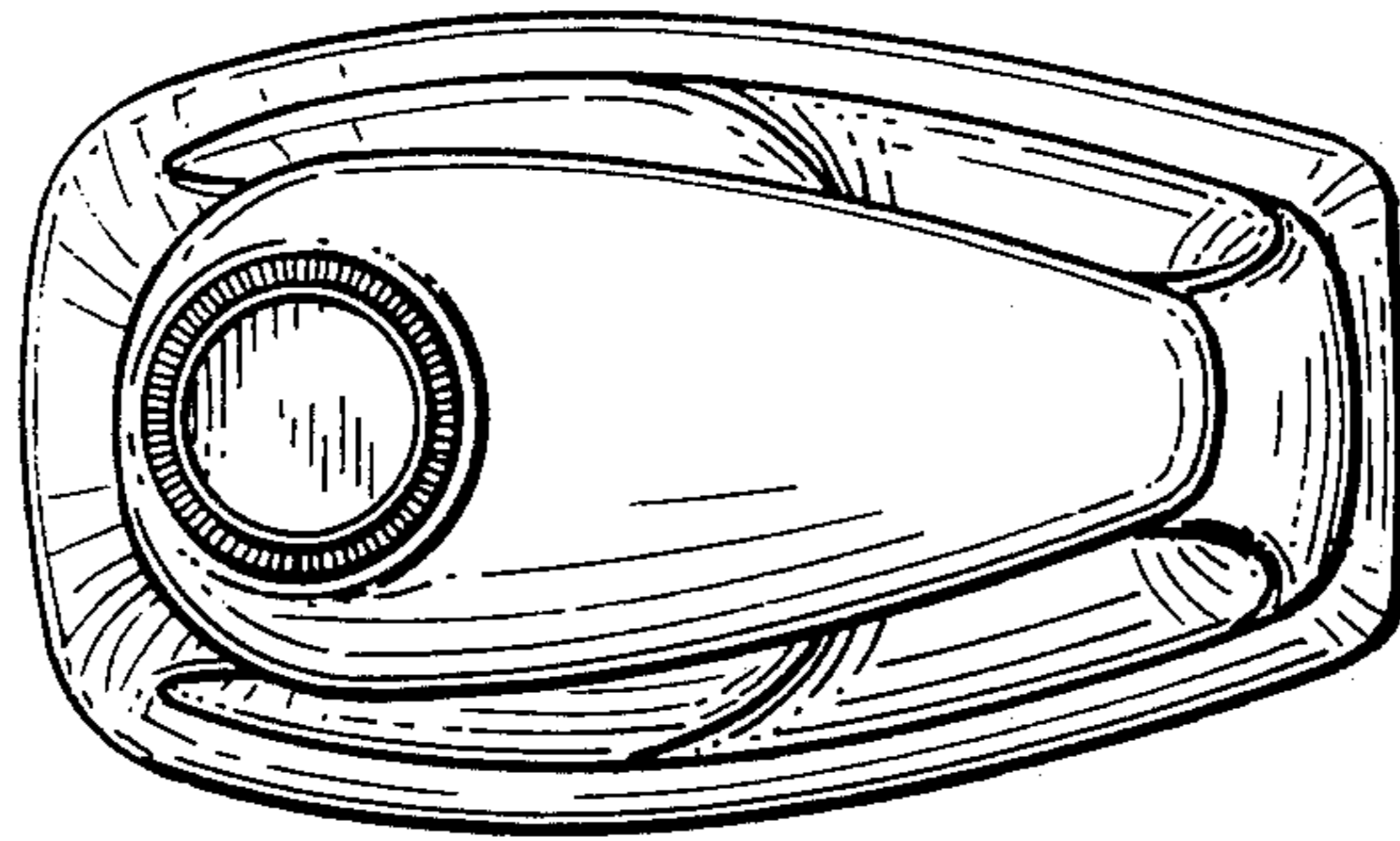


FIG. 12

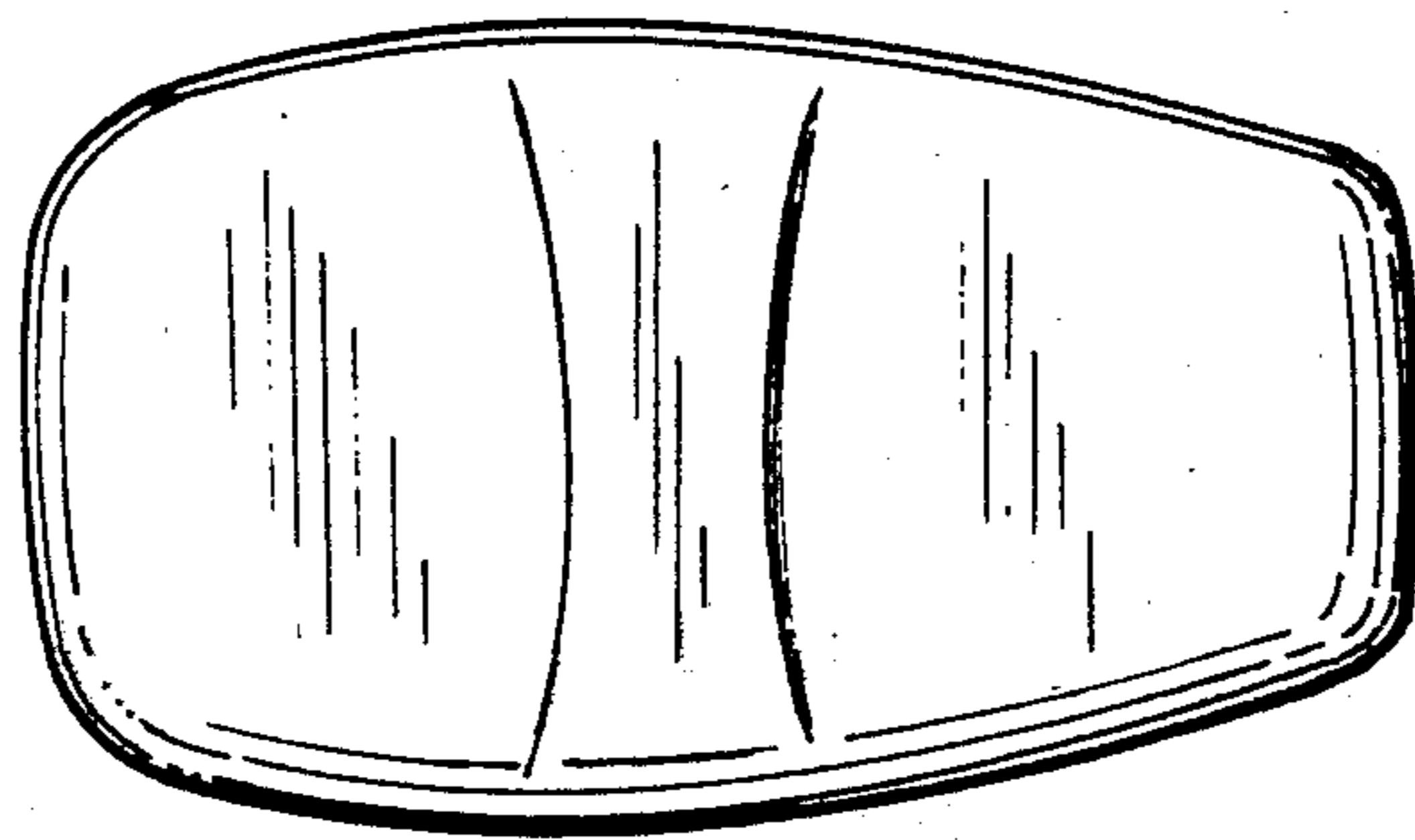


FIG. 13

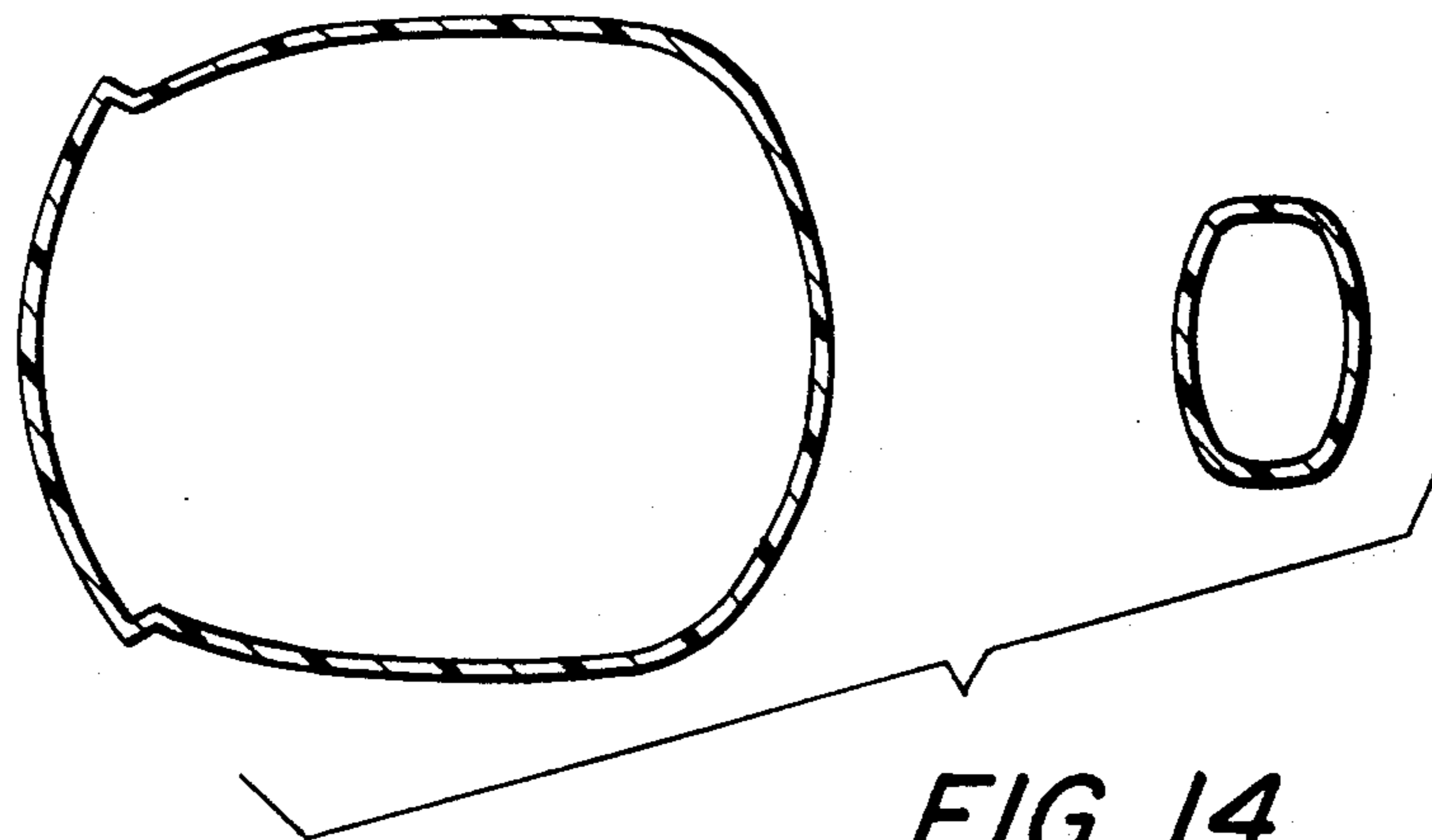


FIG. 14