

[54] ESPALIER FRAME

[75] Inventor: Eric R. Evans, Napier, New Zealand

[73] Assignee: EBRO Espalier Limited, Napier, New Zealand

[**] Term: 14 Years

[21] Appl. No.: 505,475

[22] Filed: Jun. 17, 1983

[30] Foreign Application Priority Data

Jan. 6, 1983 [NZ] New Zealand 18179

[52] U.S. Cl. D8/1; D25/71; 174/45 R

[58] Field of Search D8/1, 380, 363; 47/46; D25/71; D38/58, 59, 60; 174/45 R, 43

[56] References Cited

U.S. PATENT DOCUMENTS

289,890	12/1883	Chambers	174/43
347,602	8/1886	Herron	174/45 R
787,839	4/1905	Ernst	174/45 R
1,974,367	9/1934	Scharble	D25/71
2,406,638	8/1946	Schissel	D32/58
3,013,584	12/1961	Reed et al.	174/45 R
3,235,652	2/1966	Lindsey	174/45 R
3,391,491	7/1968	Daly	47/46
3,399,852	9/1968	Armstrong	174/45 R
3,457,358	7/1969	Brumfield	174/45 R
3,526,993	9/1970	Siebol	47/46
3,791,070	2/1974	Roberts	47/46
4,336,667	6/1982	Evans	47/46

FOREIGN PATENT DOCUMENTS

21843	of 1907	United Kingdom	47/46
1318031	5/1973	United Kingdom	174/43

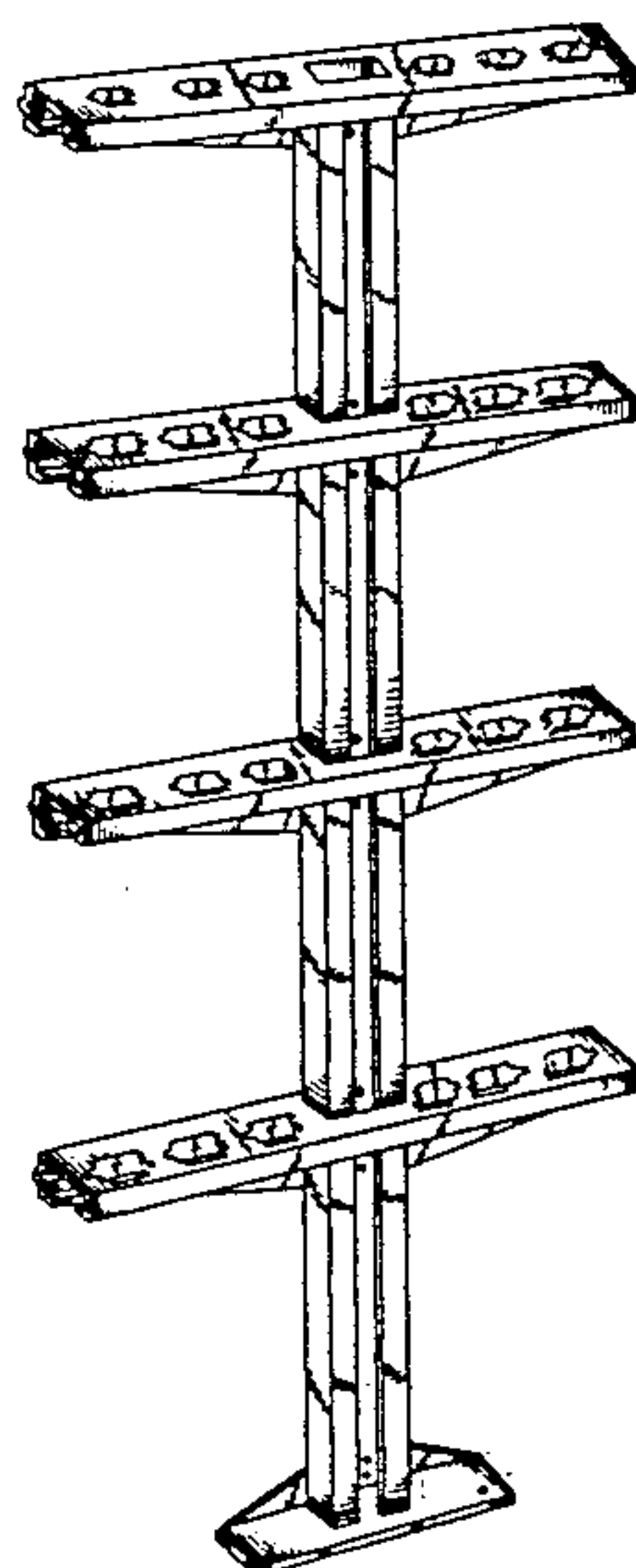
Primary Examiner—Wallace R. Burke
Assistant Examiner—Horace B. Fay
Attorney, Agent, or Firm—Holman & Stern

[57] CLAIM

The ornamental design for an espalier frame, substantially as shown and described.

DESCRIPTION

FIG. 1 is a front view of an espalier frame showing my new design;
FIG. 2 is a back view thereof;
FIG. 3 is a front perspective view of a fragmentary portion of post structures showing a cross arm positioned thereon;
FIG. 4 is a rear perspective view of the view shown in FIG. 3;
FIG. 5 is a front perspective view of a fragmentary portion of post structures and of the footing of the frame;
FIG. 6 is a rear perspective view of the view shown in FIG. 5;
FIGS. 7, 8, 9 and 10 are respectively front and rear perspective views, top plan and end elevational views of a cross arm of the frame shown independently for ease of illustration and clarity of representation; and
FIG. 11 is a rear perspective view of the espalier shown in FIG. 1.



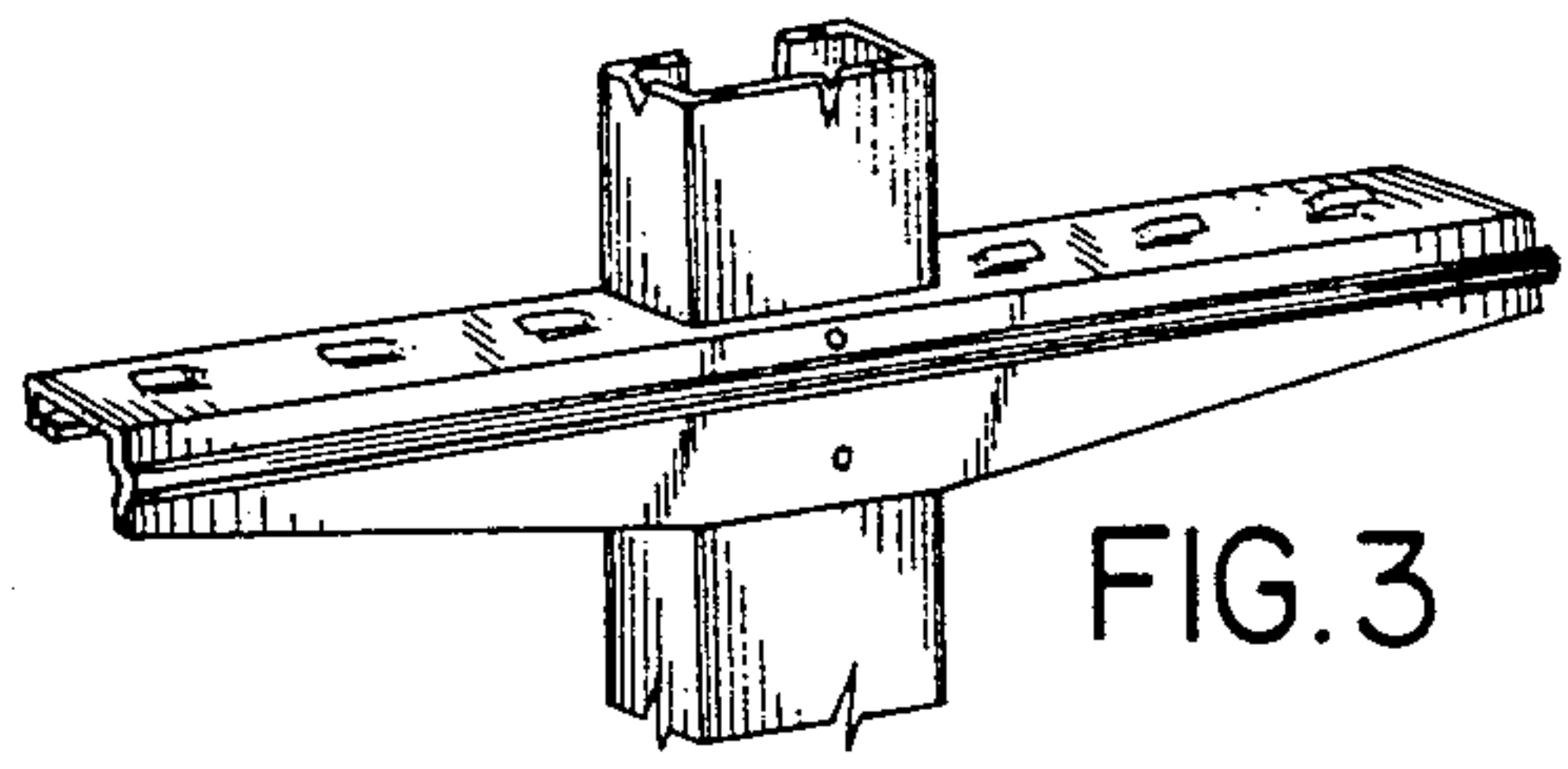


FIG. 3

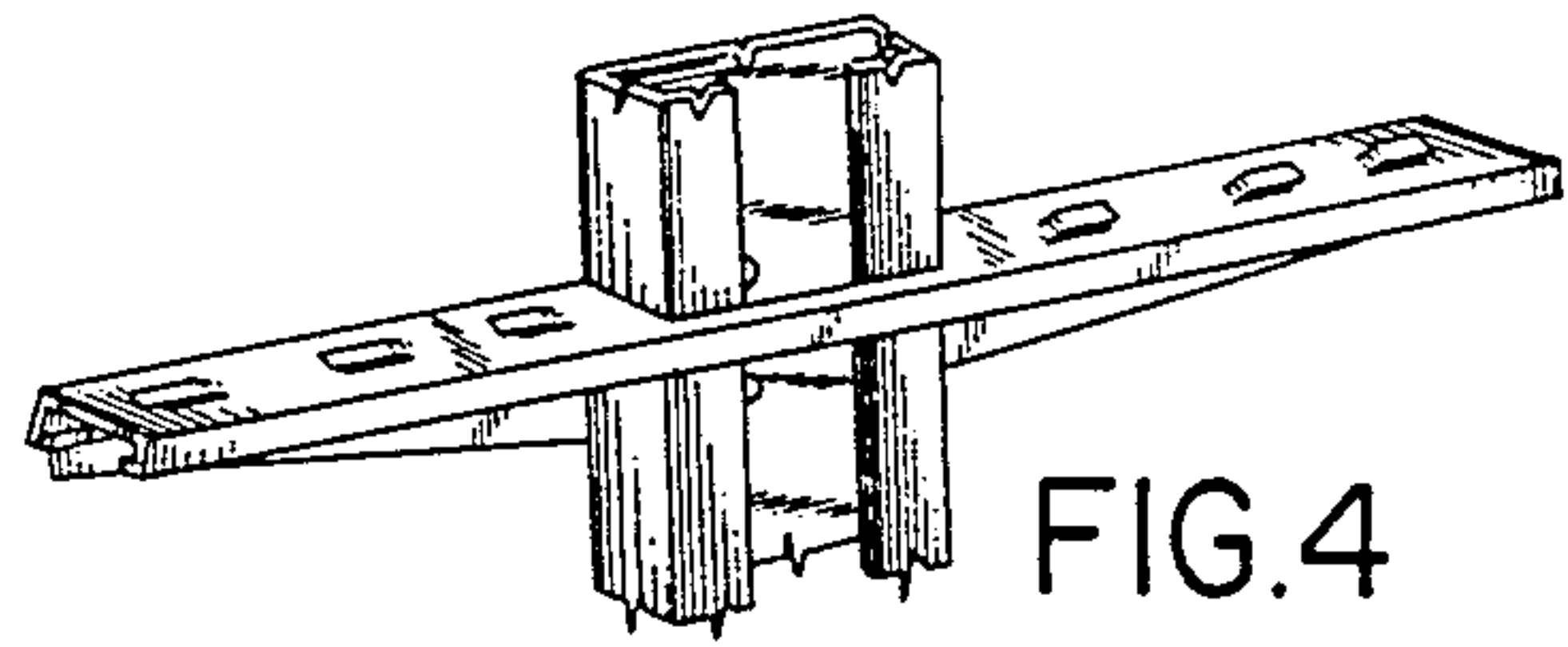


FIG. 4

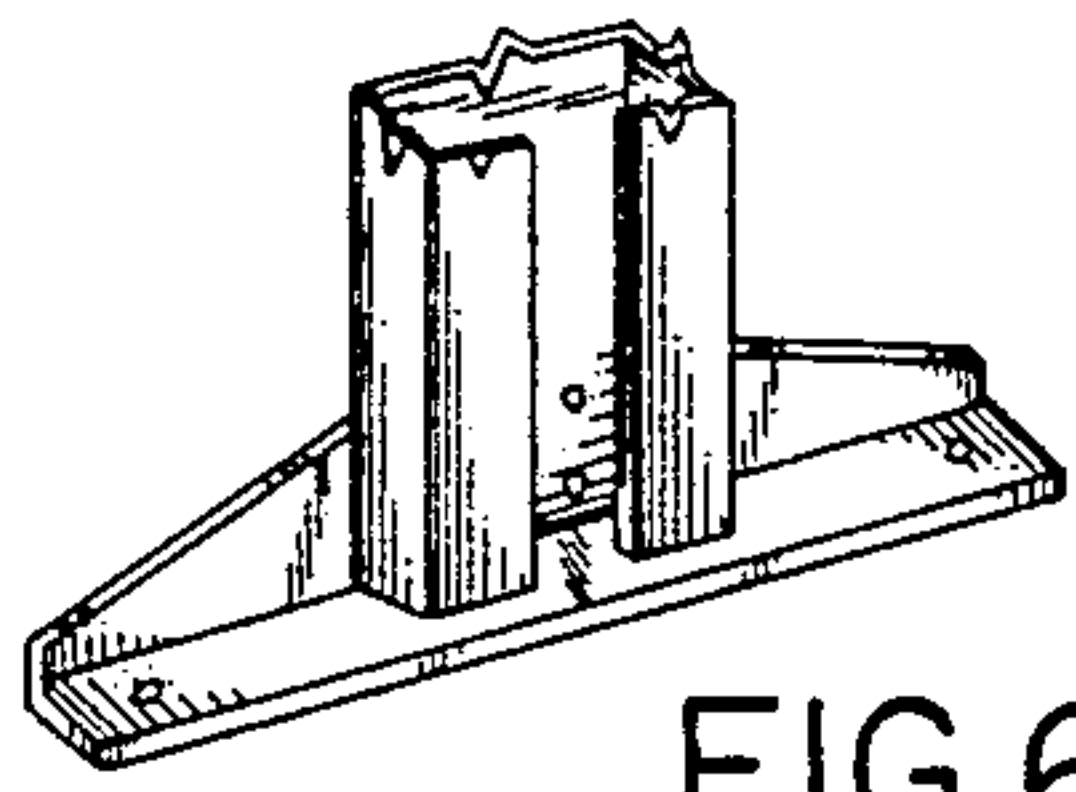


FIG. 6

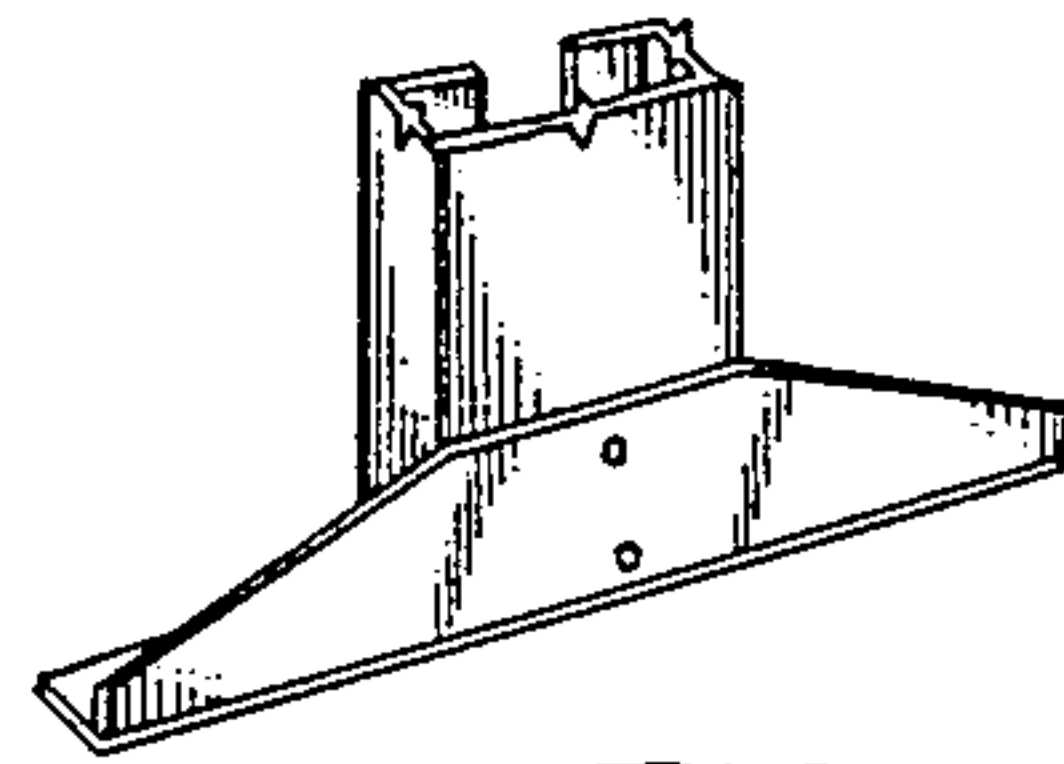


FIG. 5

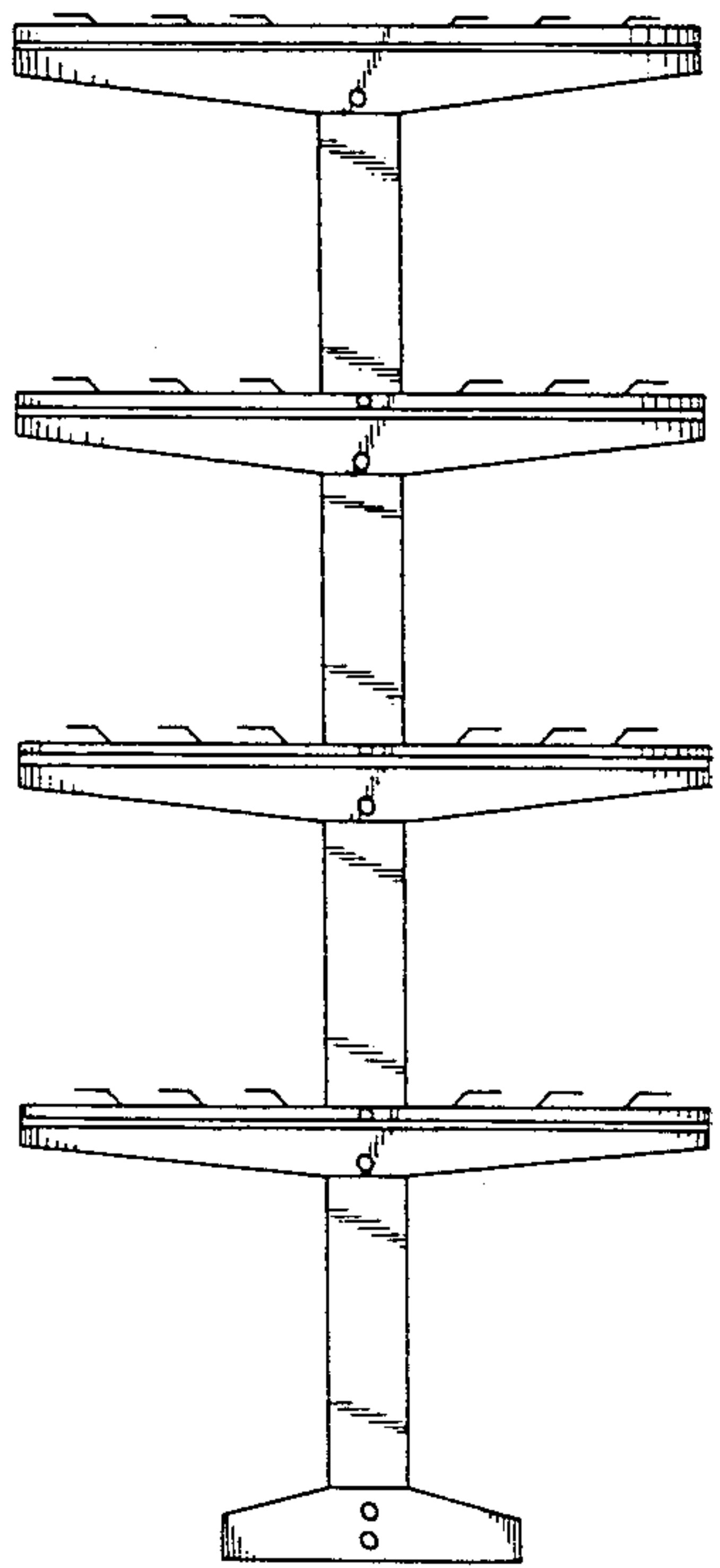


FIG. 1

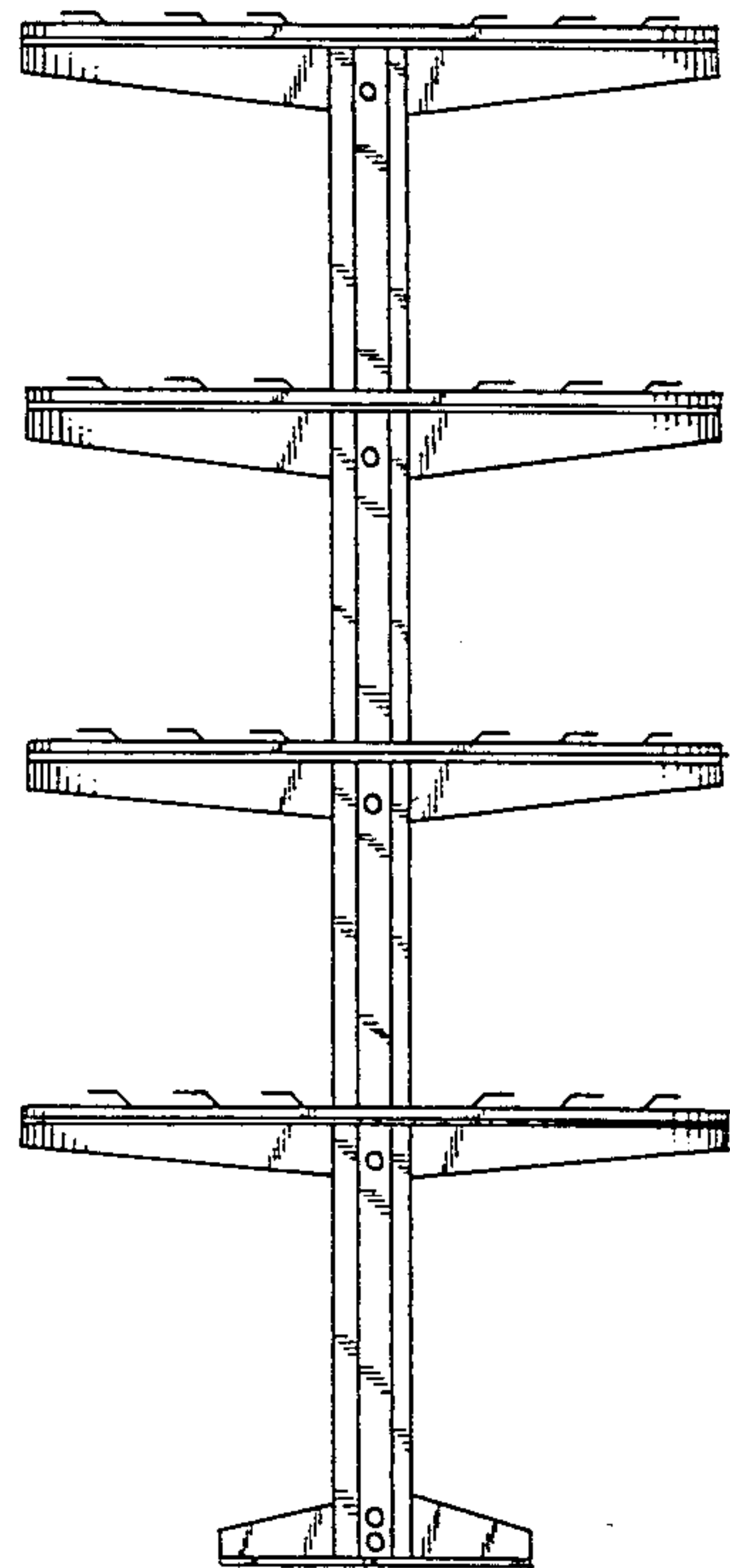


FIG. 2

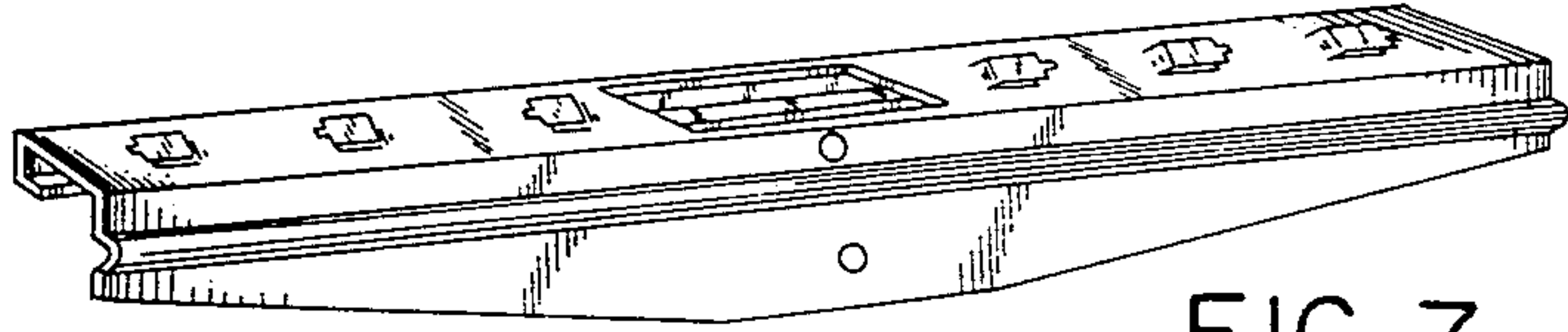


FIG. 7

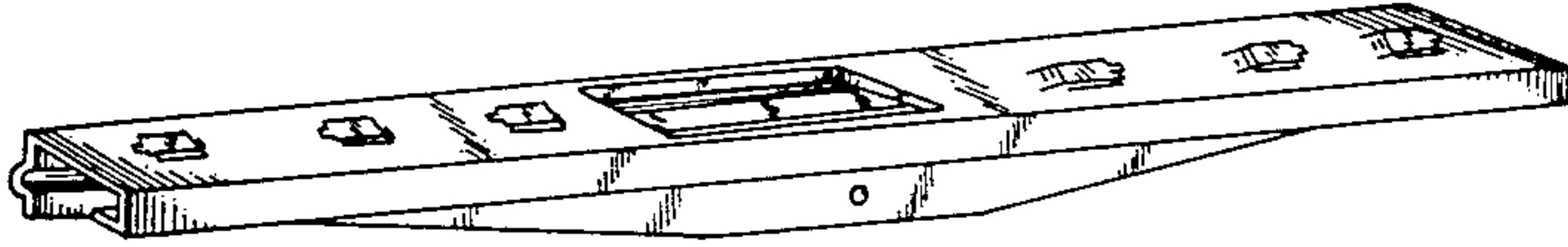


FIG. 8

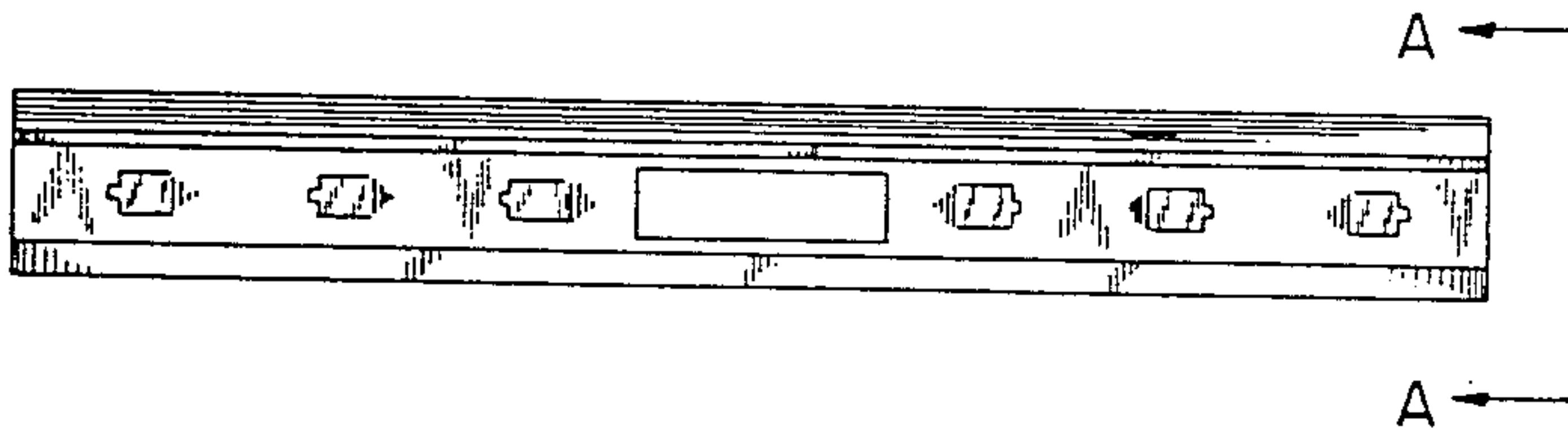


FIG. 9

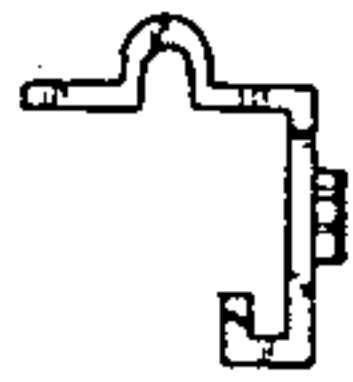


FIG. 10

FIG. II

