

[54] FOOD MIXER

[75] Inventor: Kenneth H. Grange, London, England

[73] Assignee: Thorn Emi Domestic Appliances Limited, London, England

[**] Term: 14 Years

[21] Appl. No.: 561,944

[22] Filed: Dec. 15, 1983

[30] Foreign Application Priority Data

Aug. 20, 1983 [GB] United Kingdom 1014749

[52] U.S. Cl. D7/379

[58] Field of Search D7/379, 381-386, D7/376-379, 412; 241/92, 282.1, 282.2, 168-169.1, 37.5; 366/292, 279, 297, 265, 314

[56] References Cited

U.S. PATENT DOCUMENTS

- D. 195,424 6/1963 Cabell et al. D7/386 X
- D. 254,949 5/1980 Besford D7/379
- D. 254,950 5/1980 Besford D7/386
- D. 256,319 8/1980 Ernest et al. D7/412

- D. 265,166 6/1982 Ernest et al. D7/386
- 2,632,635 3/1953 Guilder 366/292 X
- 3,875,423 4/1975 Kemper D7/379 X

OTHER PUBLICATIONS

Design 4-61, p. 148, Mixer, lower left of page.
Design, 2-61, p. 146, Mixer item 13, lower left of page.
Schöner Wohnen, 2-81, p. 685w, Mixer lower middle of page.

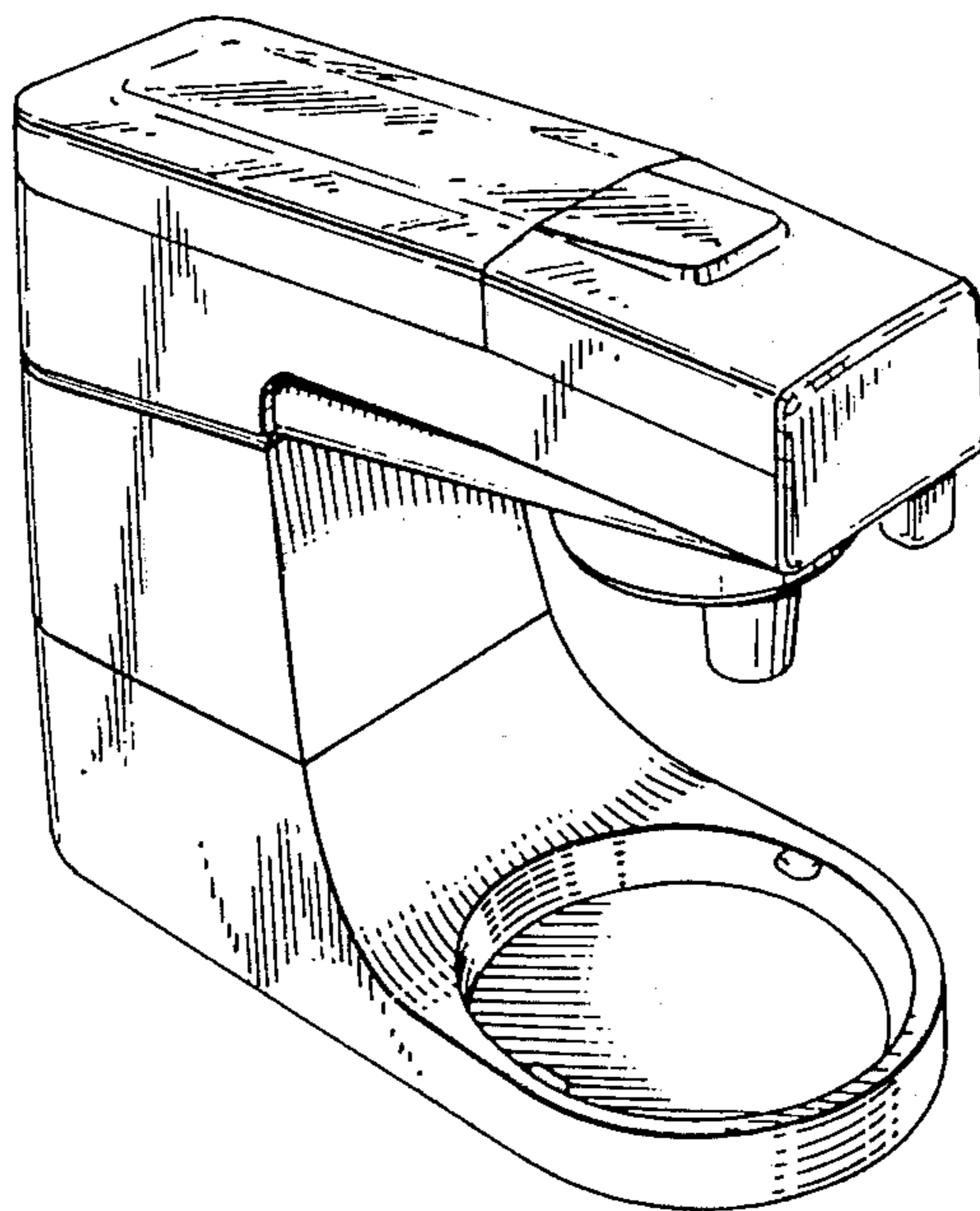
Primary Examiner—Bernard Ansher
Assistant Examiner—Linda Titolo
Attorney, Agent, or Firm—Fleit, Jacobson, Cohn & Price

[57] CLAIM

The ornamental design for a food mixer, substantially as shown.

DESCRIPTION

FIG. 1 is a top front left side perspective view of a food mixer showing my new design; FIG. 2 is a top rear right side perspective view thereof; FIG. 3 is a top plan view thereof; FIG. 4 is a right side elevational view thereof; and FIG. 5 is a front elevational view thereof. The bottom plan view is plain and unornamented.



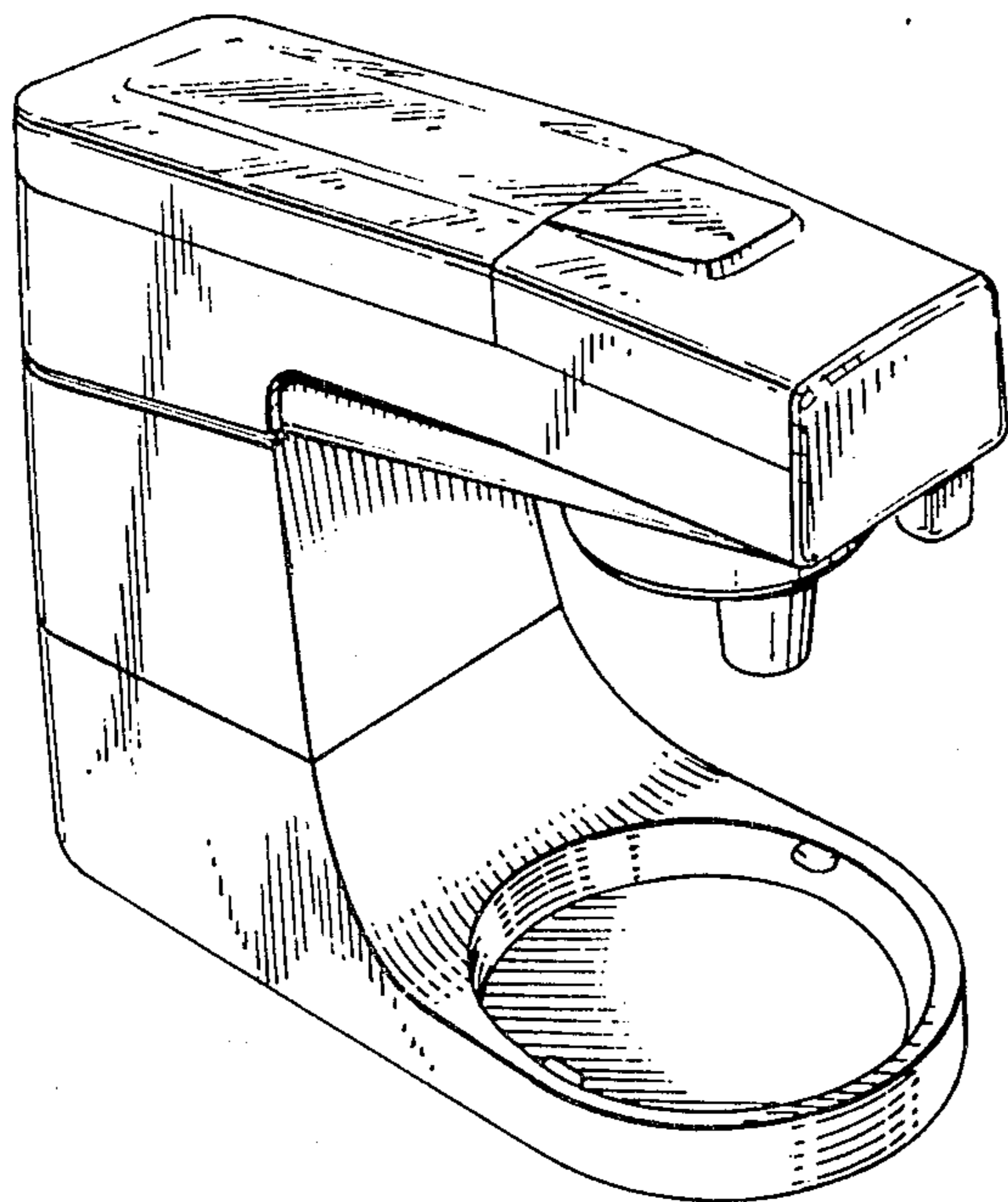


FIG. 1

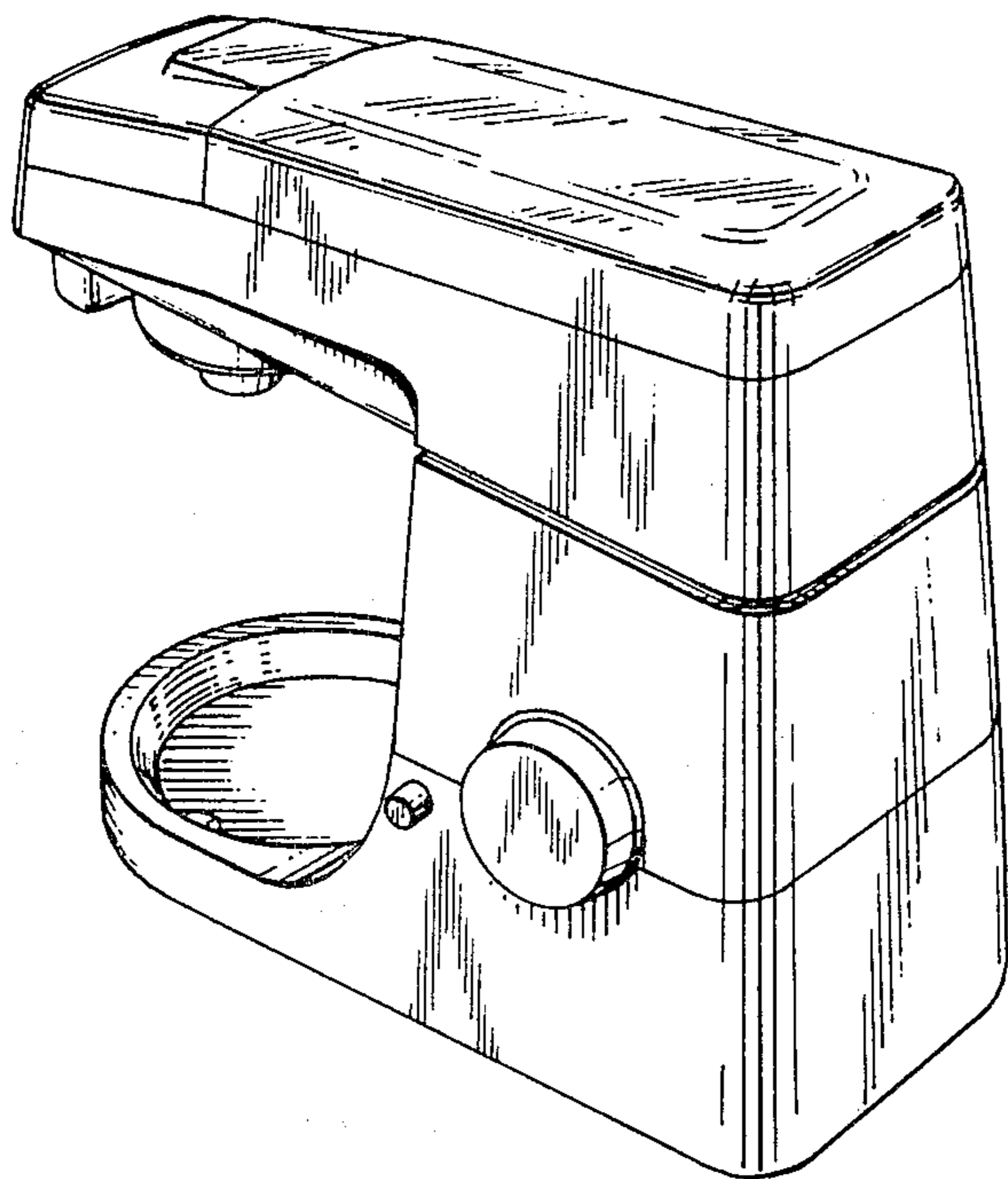


FIG. 2

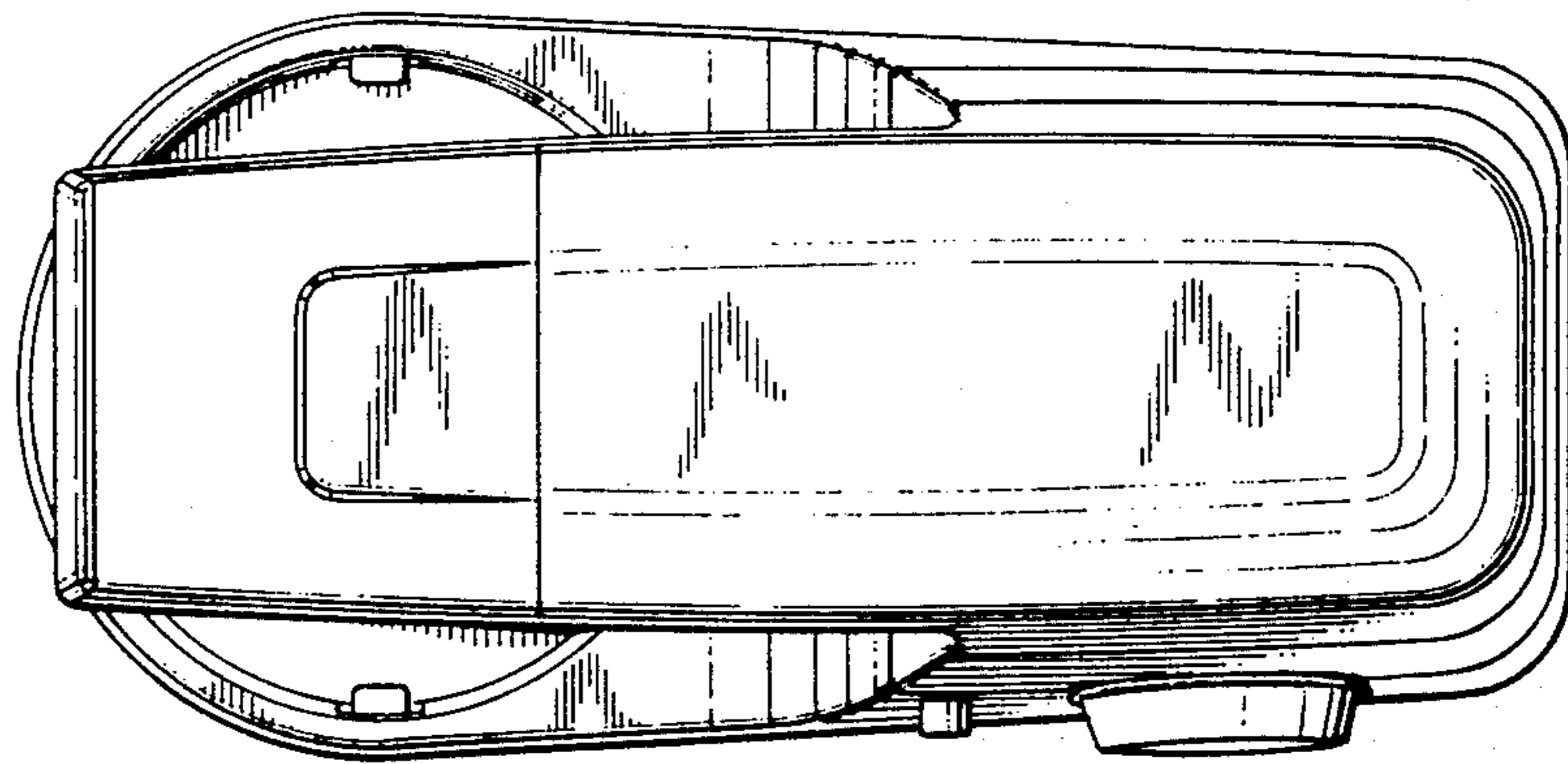


FIG. 3

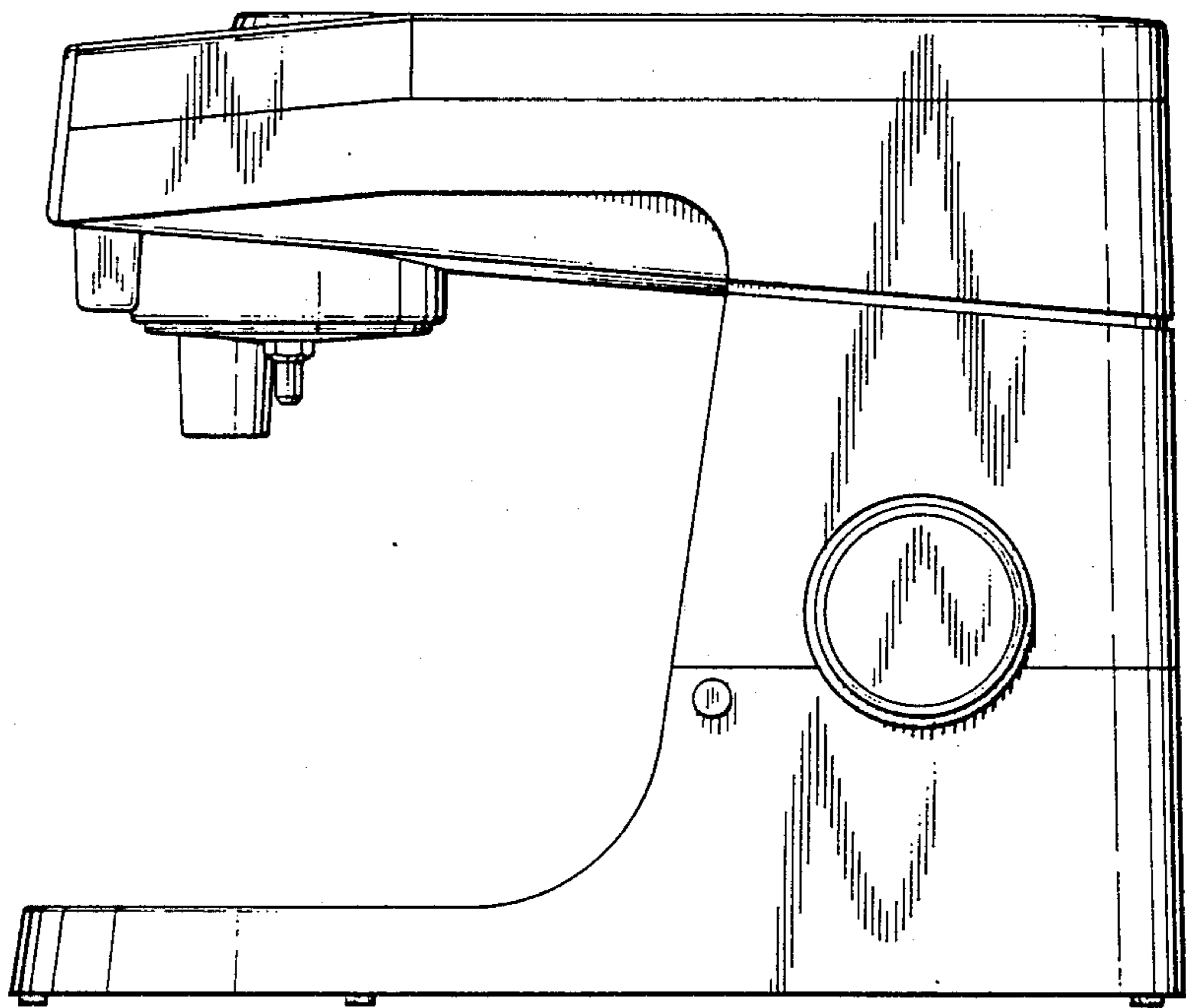


FIG. 4

FIG. 5

