

[54] BARBECUE GRILL

[56] References Cited

[76] Inventor: Kwan S. Jung, 54-18, 1-Ka, Myong Dong, Chung-Ku, Seoul, Rep. of Korea

U.S. PATENT DOCUMENTS

- 2,477,529 7/1949 Sprinkle et al. 99/421 HV
- 2,696,163 12/1954 Galley 99/421 P
- 3,208,808 9/1965 Knapp 99/419
- 3,946,653 3/1976 Pugh 99/421 HV

[**] Term: 14 Years

Primary Examiner—Wallace R. Burke
Assistant Examiner—Ruth E. Takemoto
Attorney, Agent, or Firm—Birch, Stewart, Kolasch & Birch

[21] Appl. No.: 676,841

[57] CLAIM

[22] Filed: Nov. 30, 1984

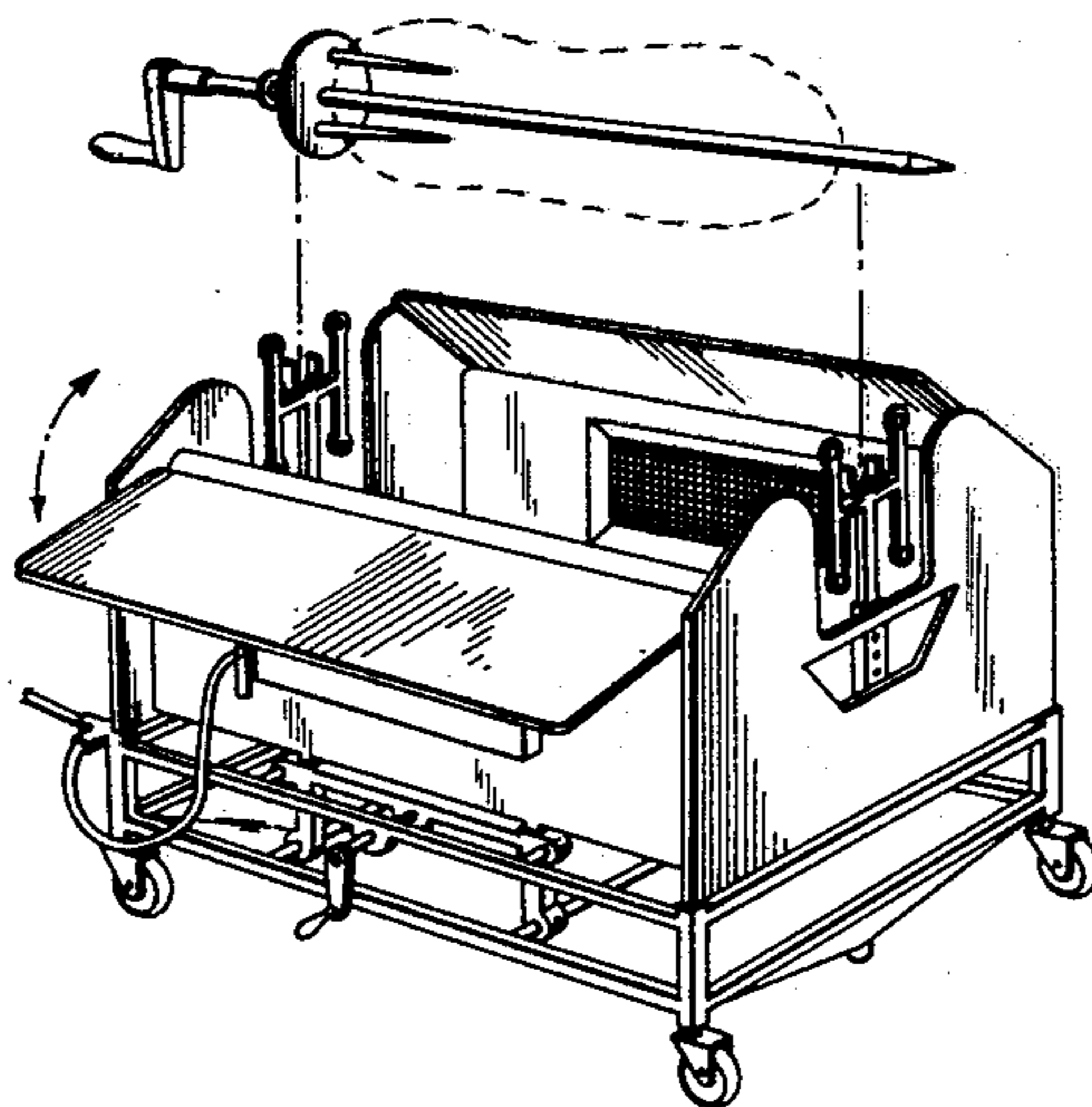
The ornamental design for a barbecue grill, as shown and described.

[30] Foreign Application Priority Data

- May 30, 1984 [KR] Rep. of Korea 6253 ROK
- [52] U.S. Cl. D7/334
- [58] Field of Search D7/323, 331-332, D7/327, 334-347, 354, 387-388, 402-403, 406, 408-409; 99/419, 421-422, 424-425, 444, 447-450; 126/25 A, 25 AA, 25 B, 25 C, 25 R, 29-30, 9 A, 9 B, 9 R

DESCRIPTION

FIG. 1 is an exploded perspective view of a barbecue grill showing my new design, and showing a portion of meat in phantom lines for illustrative purposes only; FIG. 2 is a top plan view thereof; FIG. 3 is a front elevational view thereof; FIG. 4 is a bottom plan view thereof; FIG. 5 is a right side elevational view thereof; and FIG. 6 is a left elevational side view thereof.



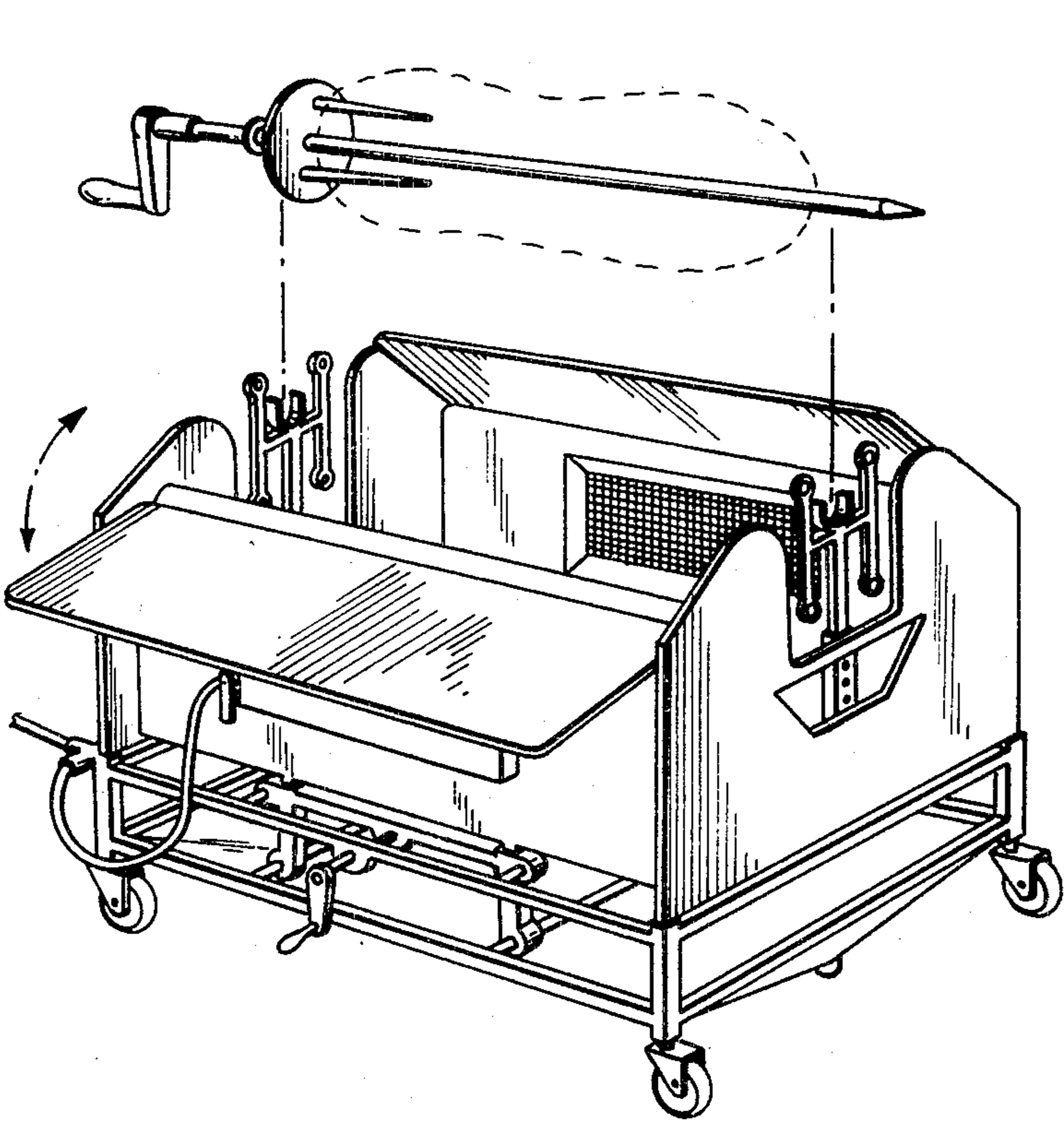


FIG. 1

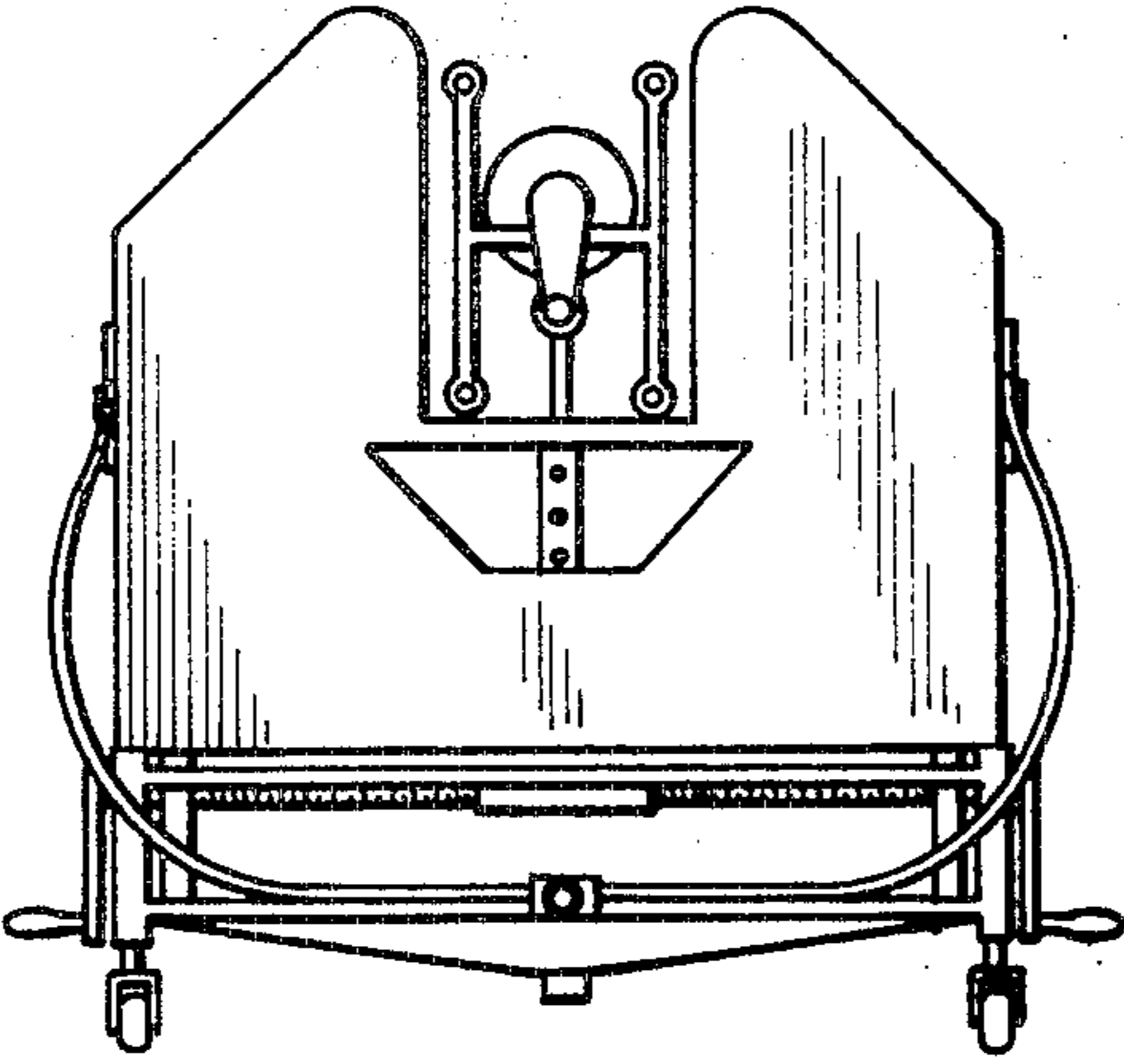


FIG. 6

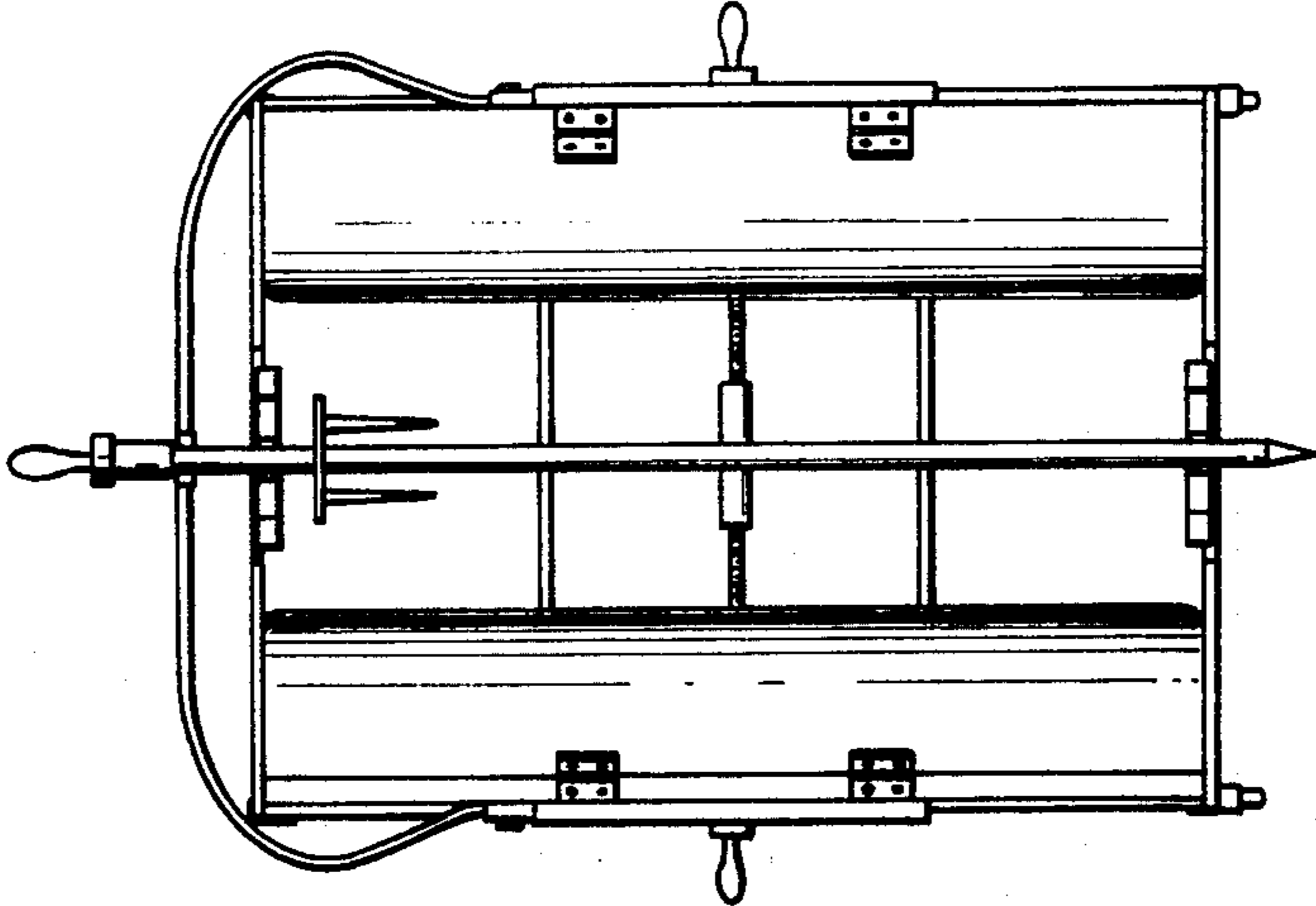


FIG. 2

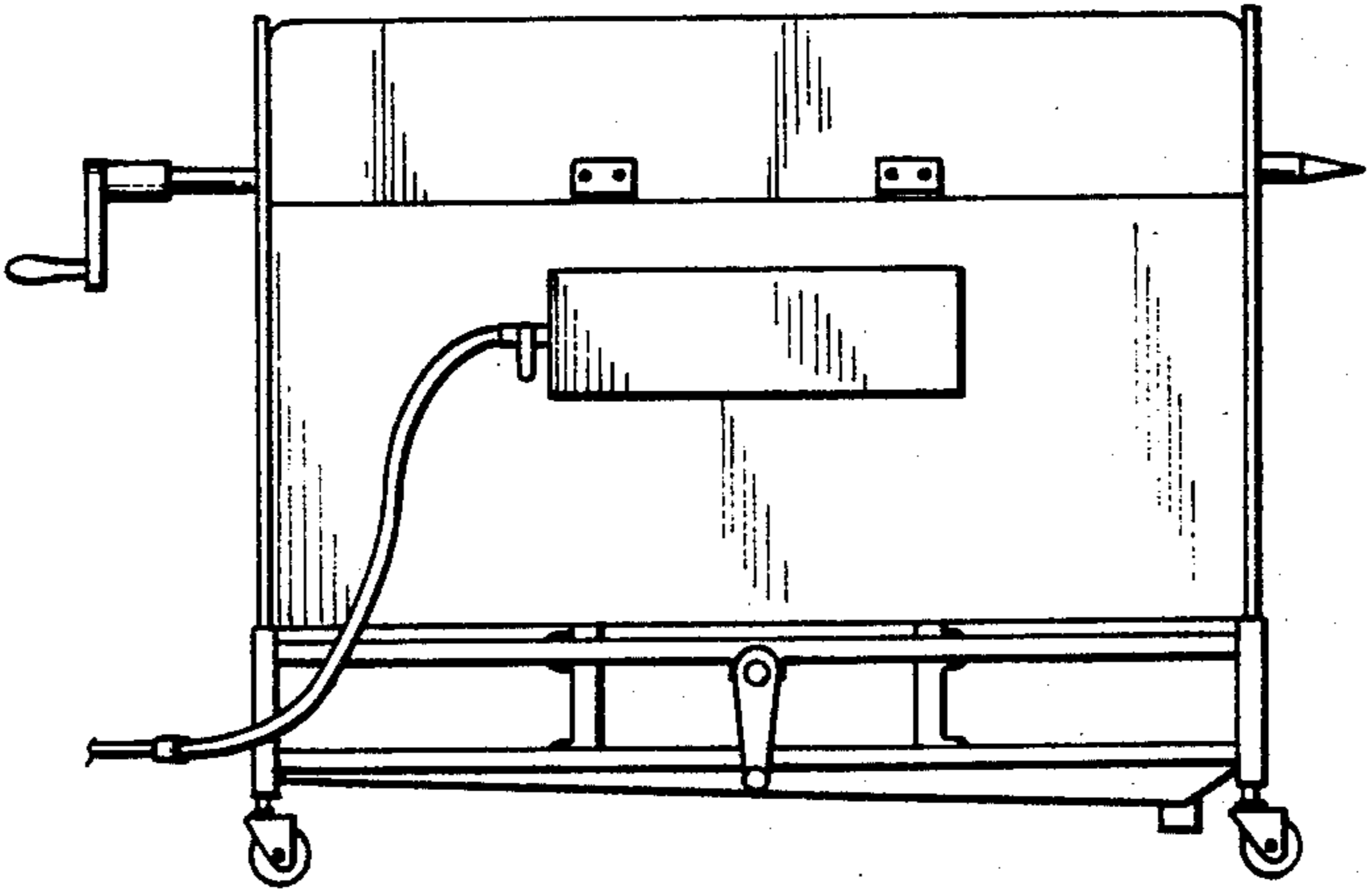


FIG. 3

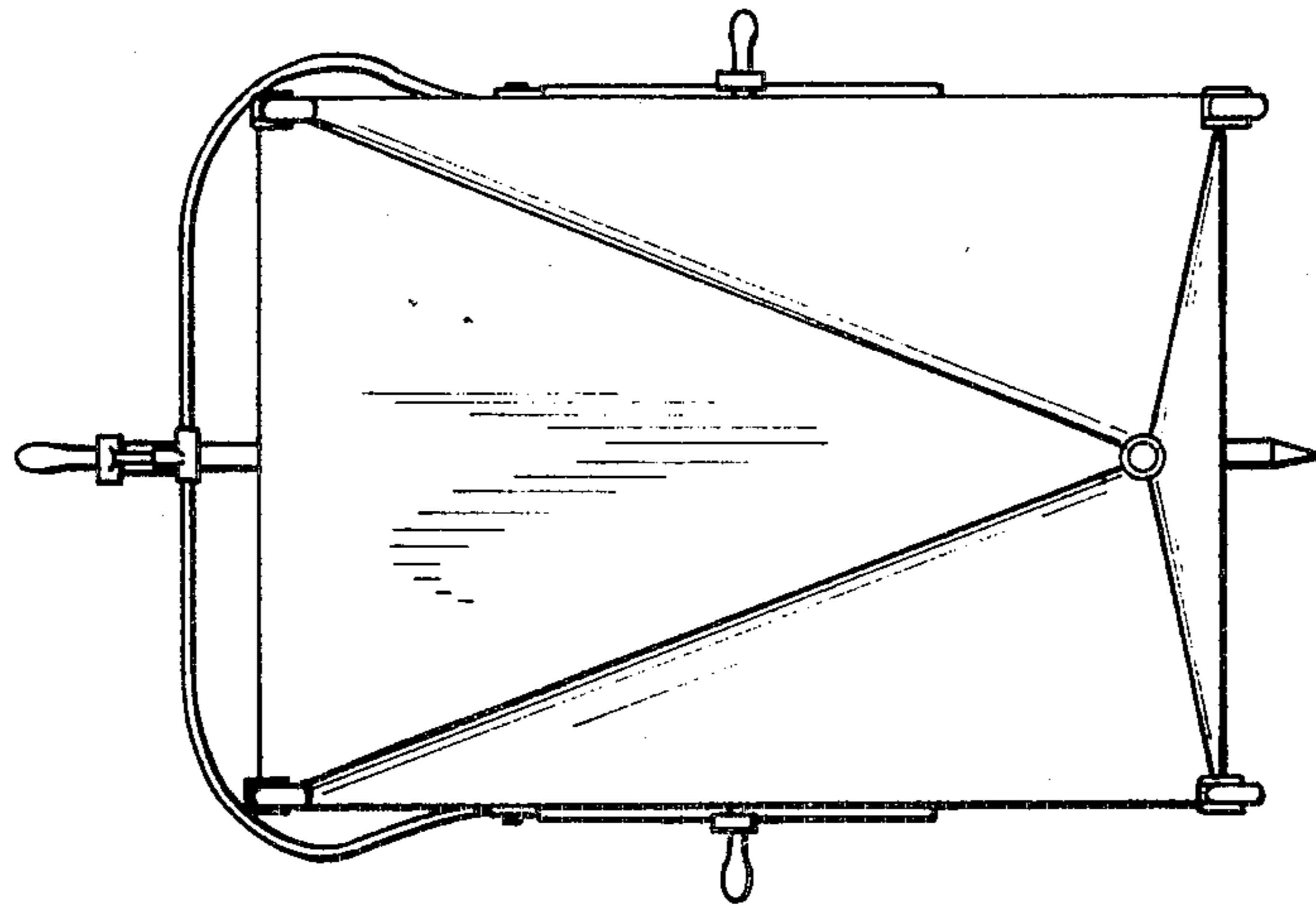


FIG. 4

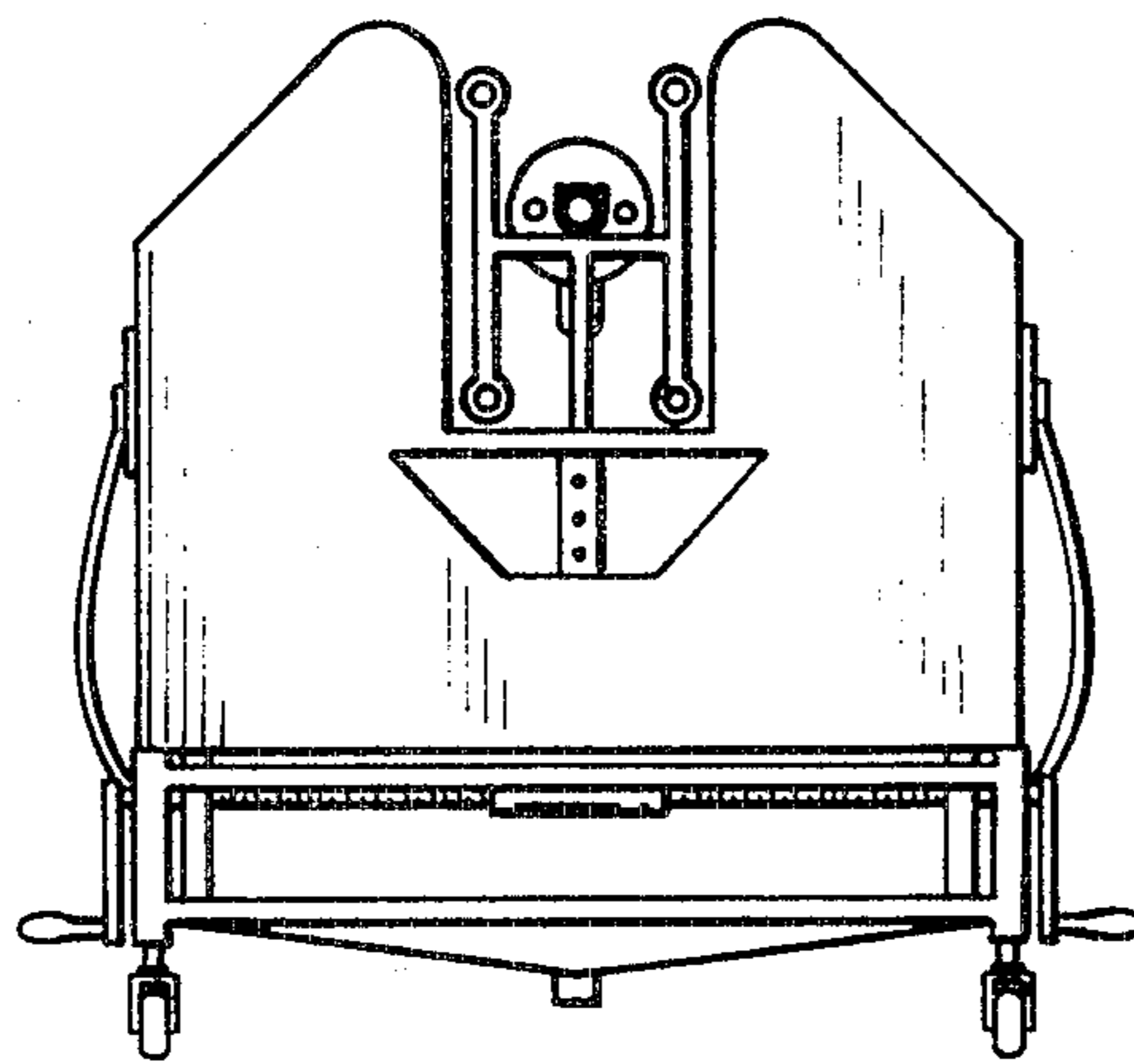


FIG. 5