

[54] COMBINED FOOD PLATE AND BEVERAGE CONTAINER HOLDER

[56]

References Cited

U.S. PATENT DOCUMENTS

2,240,020	4/1941	Raiser .....	D7/27 X
2,561,022	7/1951	Jones .....	D7/27 X
2,920,804	1/1960	Minton .....	D7/27 X
2,948,452	8/1960	Grogan et al. ....	D7/70 X

[75] Inventor: Earl H. Prescott, W. Los Angeles, Calif.

[73] Assignees: Syl Kouby; Scarlett P. Tuttle, both of Sherman Oaks, Calif.

Primary Examiner—Winifred E. Herrmann  
Attorney, Agent, or Firm—Rapkin, Gitlin & Moser

[\*\*] Term: 14 Years

[57]

CLAIM

The ornamental design for a combined food plate and beverage container holder, as shown and described.

[21] Appl. No.: 625,013

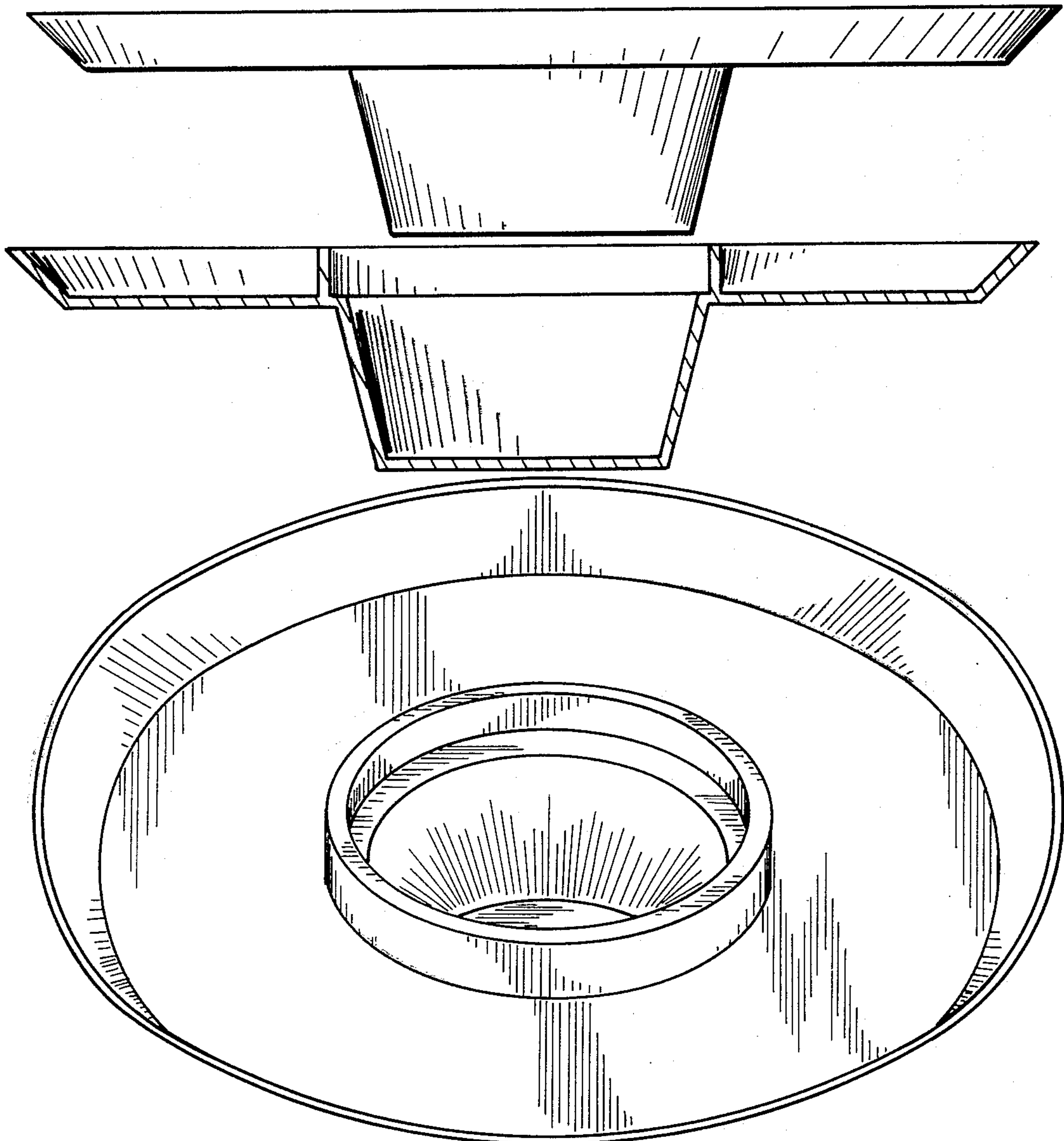
DESCRIPTION

[22] Filed: Jun. 27, 1984

[52] U.S. Cl. .... D7/27; D7/22; D7/70

[58] Field of Search ..... D7/70, 22, 27, 15, 9, D7/6, 11, 45, 13, 3; 229/1.5 B; D9/428, 349, 341

FIG. 1 is a top plan view of a combined food plate and beverage container holder showing my new design; FIG. 2 is a side elevational view thereof; FIG. 3 is a bottom plan view thereof; FIG. 4 is a sectional view thereof taken along line 4—4 of FIG. 1; and FIG. 5 is a perspective view thereof.



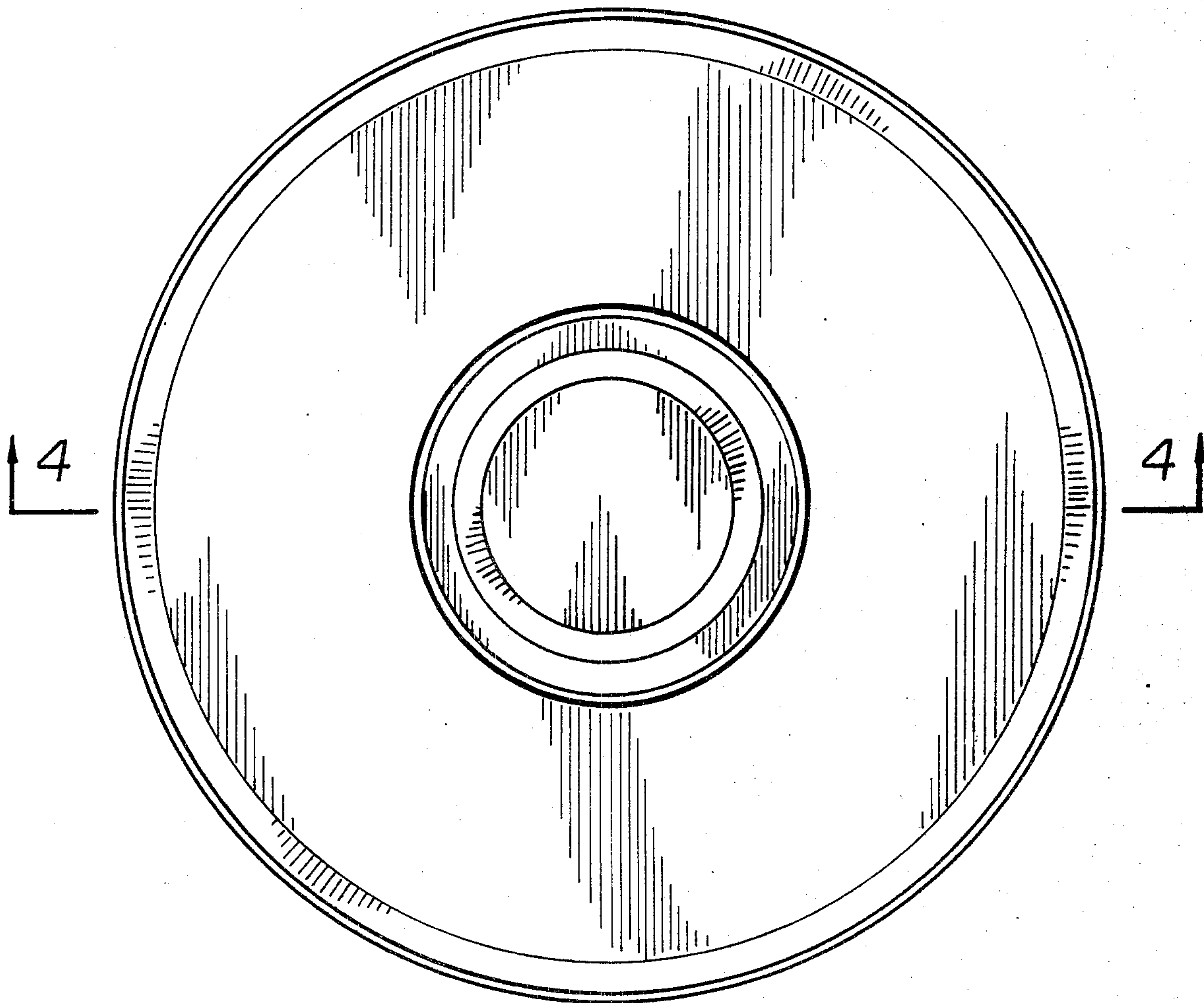


FIG. 1

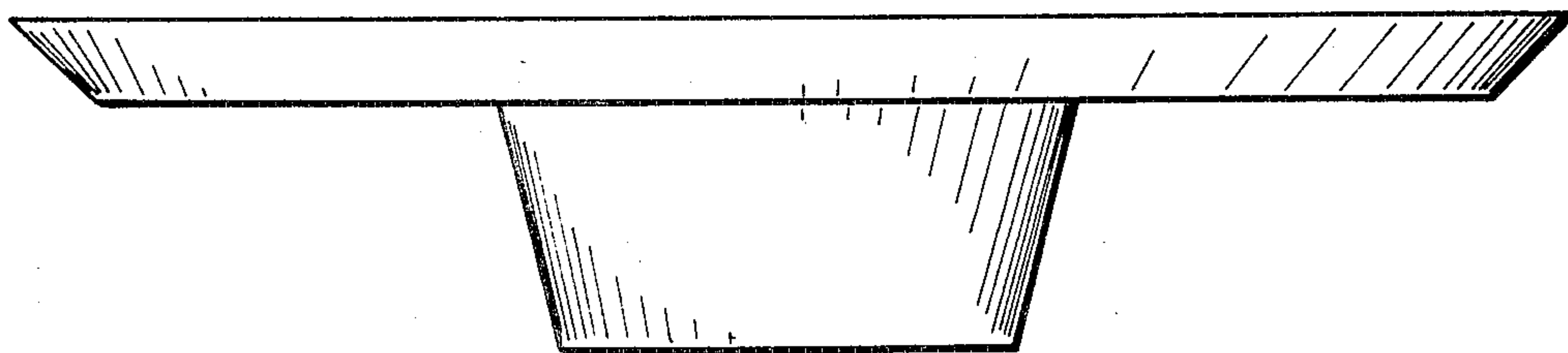


FIG. 2

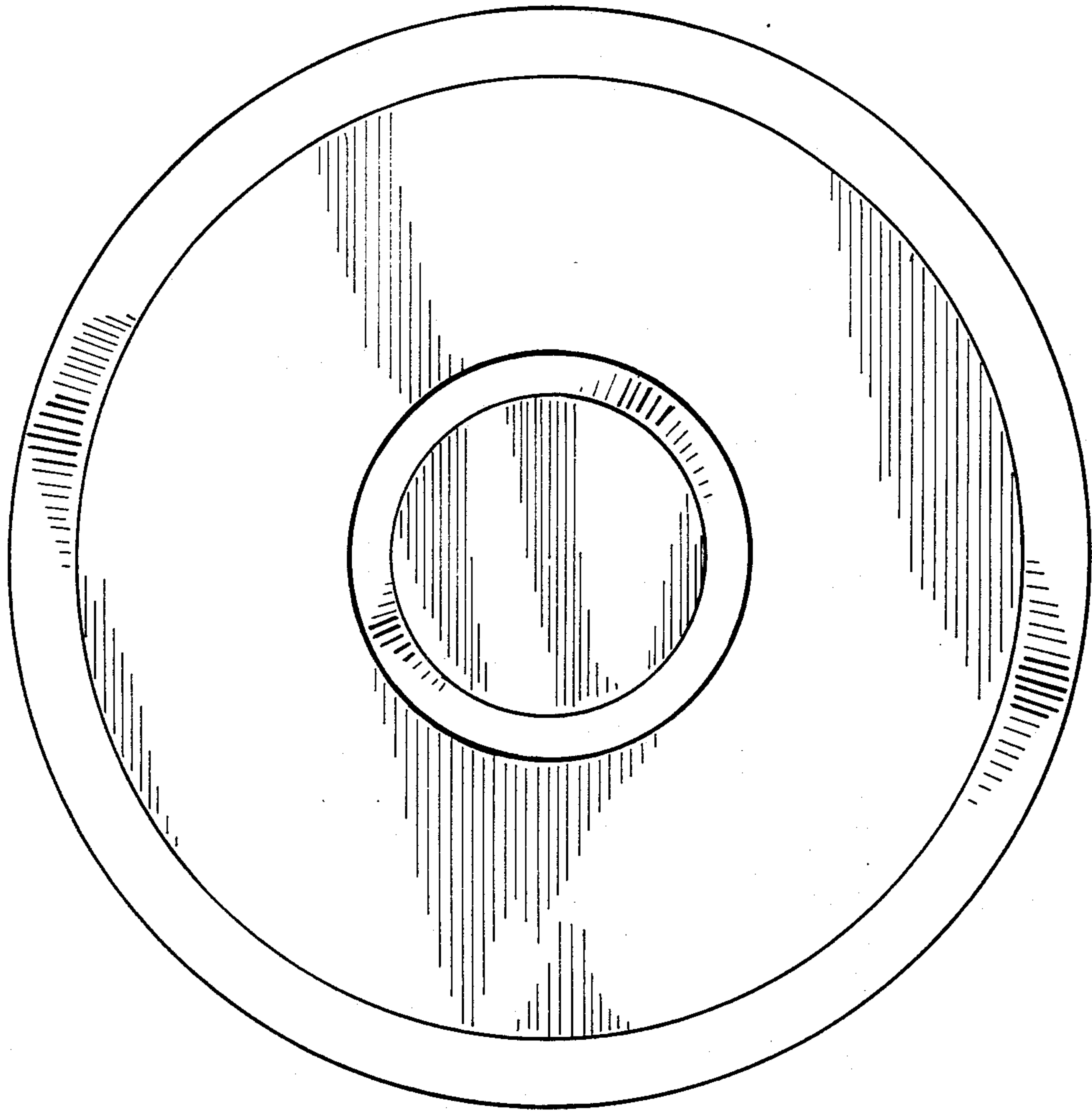


FIG. 3

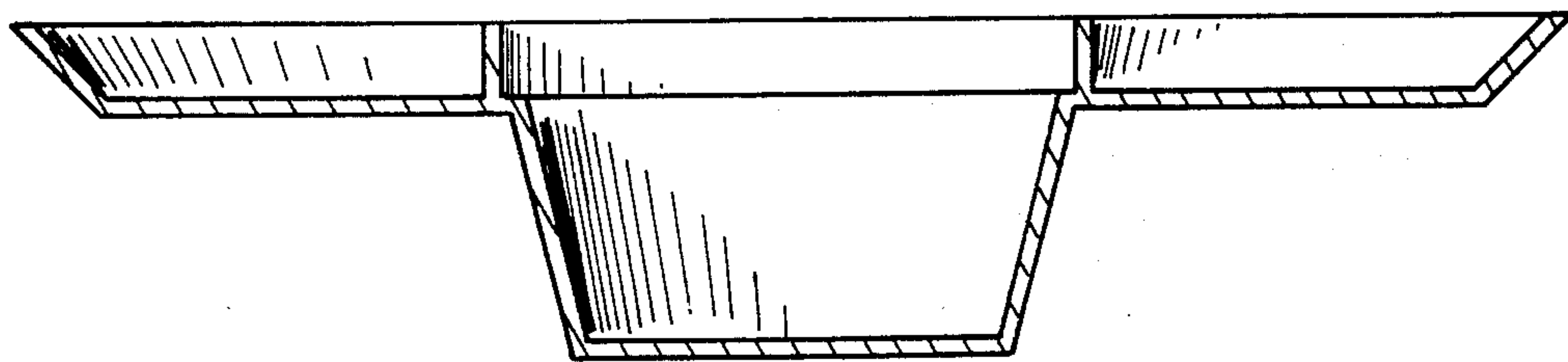


FIG. 4

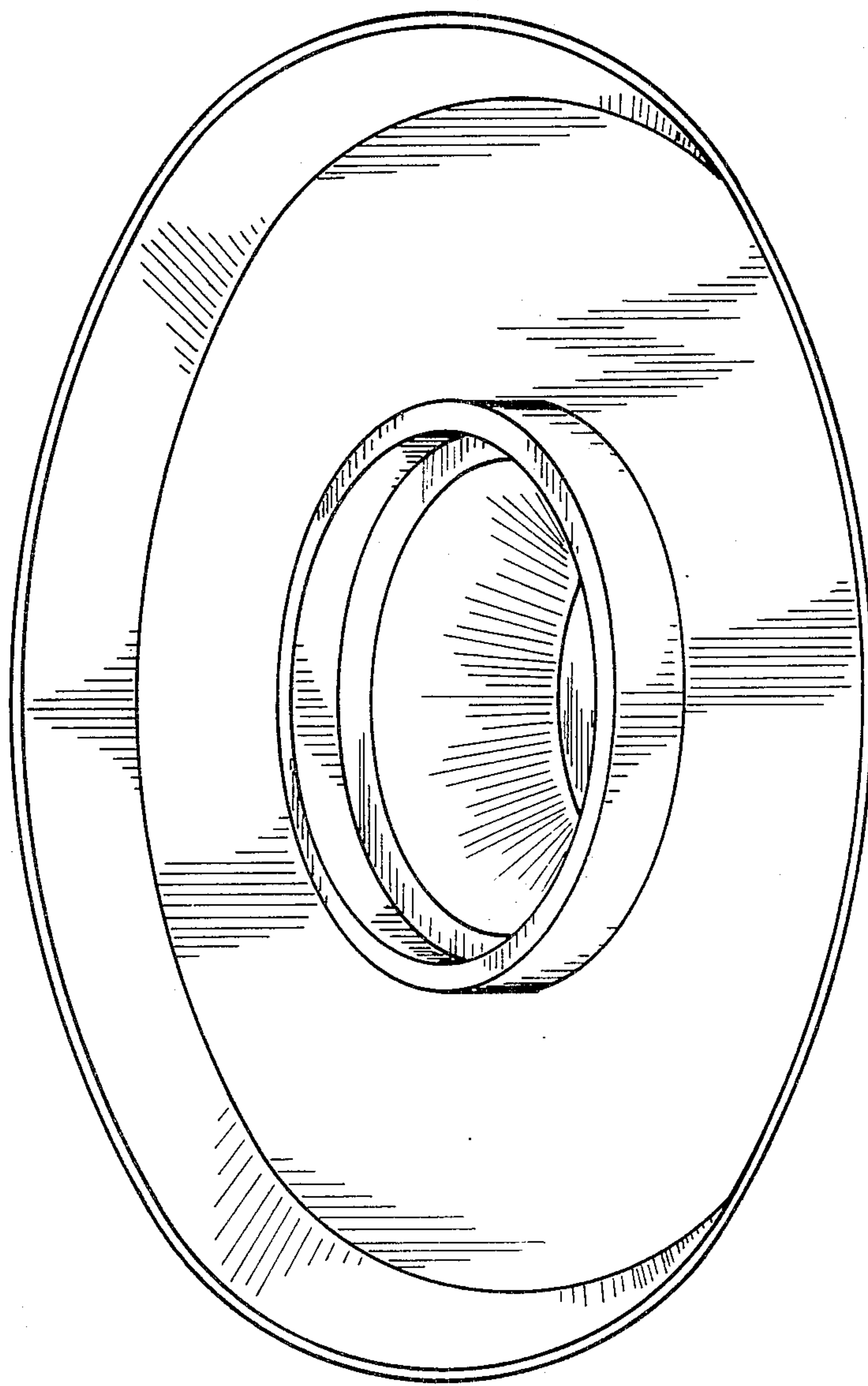


FIG. 5