

[54] SUPPORT FOR FLOWER POTS

D. 251,403 3/1979 Bosler D6/404
D. 256,749 9/1980 Crawford et al. D6/404
D. 279,844 7/1985 Dolan D6/404

[76] Inventor: Gerardus F. Mens, Von
Bonninghausenlaan 4, 2161 Et Lisse,
Netherlands

FOREIGN PATENT DOCUMENTS

[**] Term: 14 Years

1018494 8/1984 United Kingdom .
DM003122 11/1983 World Int. Prop. O. .

[21] Appl. No.: 699,249

Primary Examiner—B. J. Bullock
Assistant Examiner—Suzanne N. Gitlin
Attorney, Agent, or Firm—Pahl, Lorusso & Loud

[22] Filed: Feb. 7, 1985

[30] Foreign Application Priority Data

[57] CLAIM

Aug. 20, 1984 [XH] Hague DM004109

The ornamental design for a support for flower pots, as shown.

[52] U.S. Cl. D6/404; D21/134

[58] Field of Search D6/403, 404, 405, 513,
D6/553, 556, 557, 559; 206/45, 45.14, 45.19;
211/71, 74, 86, 87, 89, 105.2; 248/27.8, 121,
127, 129, 146, 176; D12/17-19; D21/128, 138,
134, 140; D34/24; 47/39

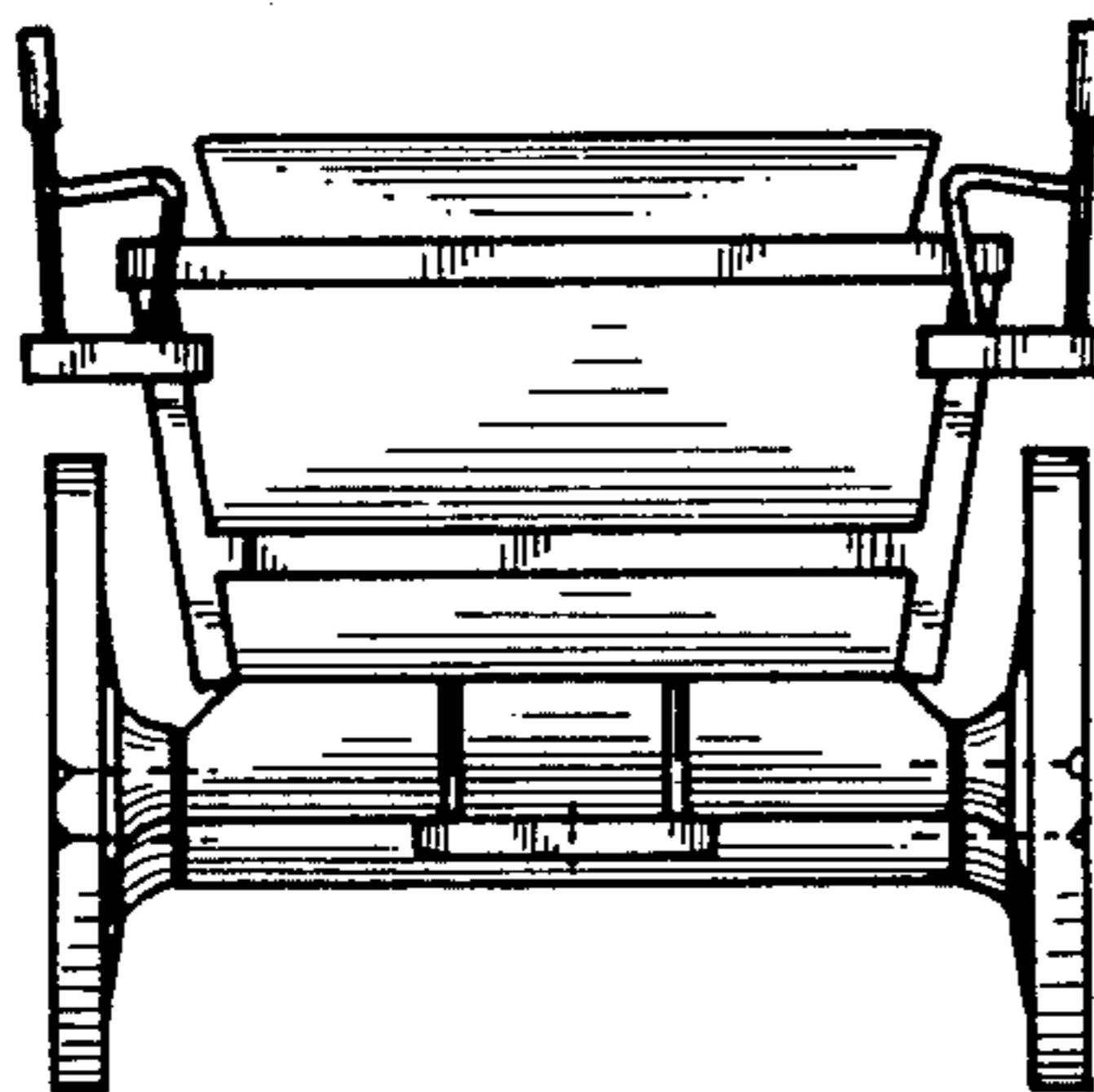
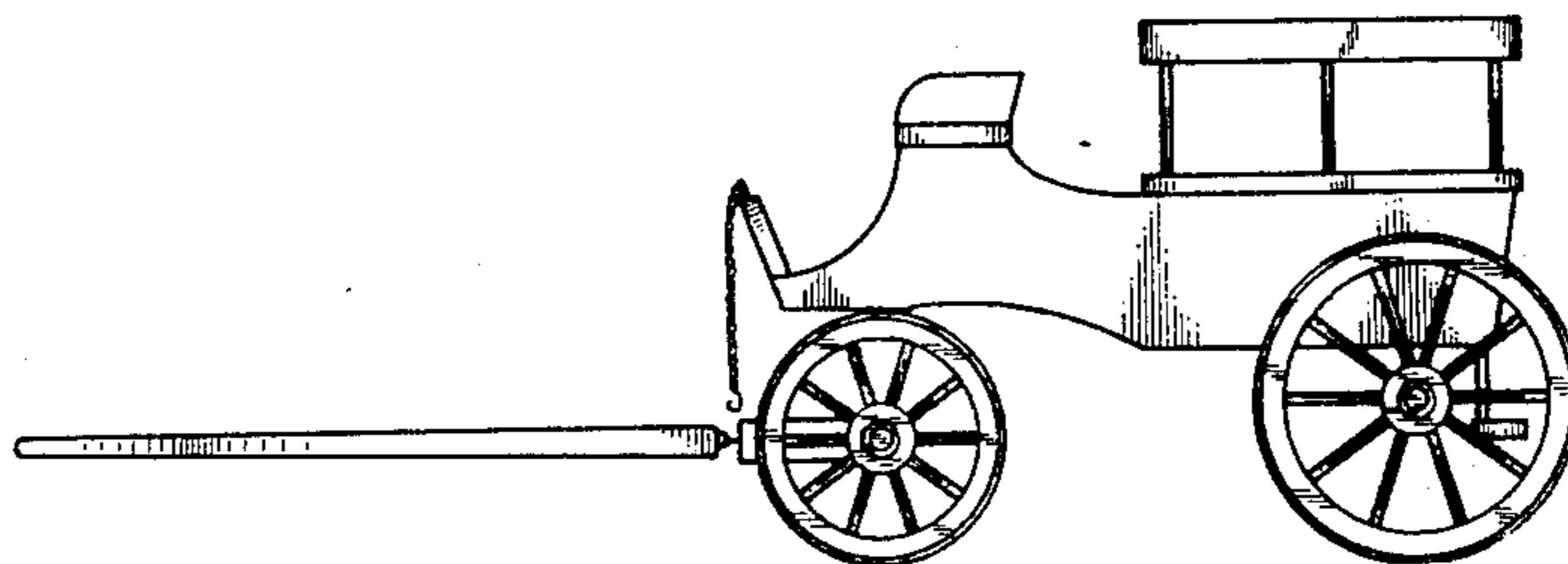
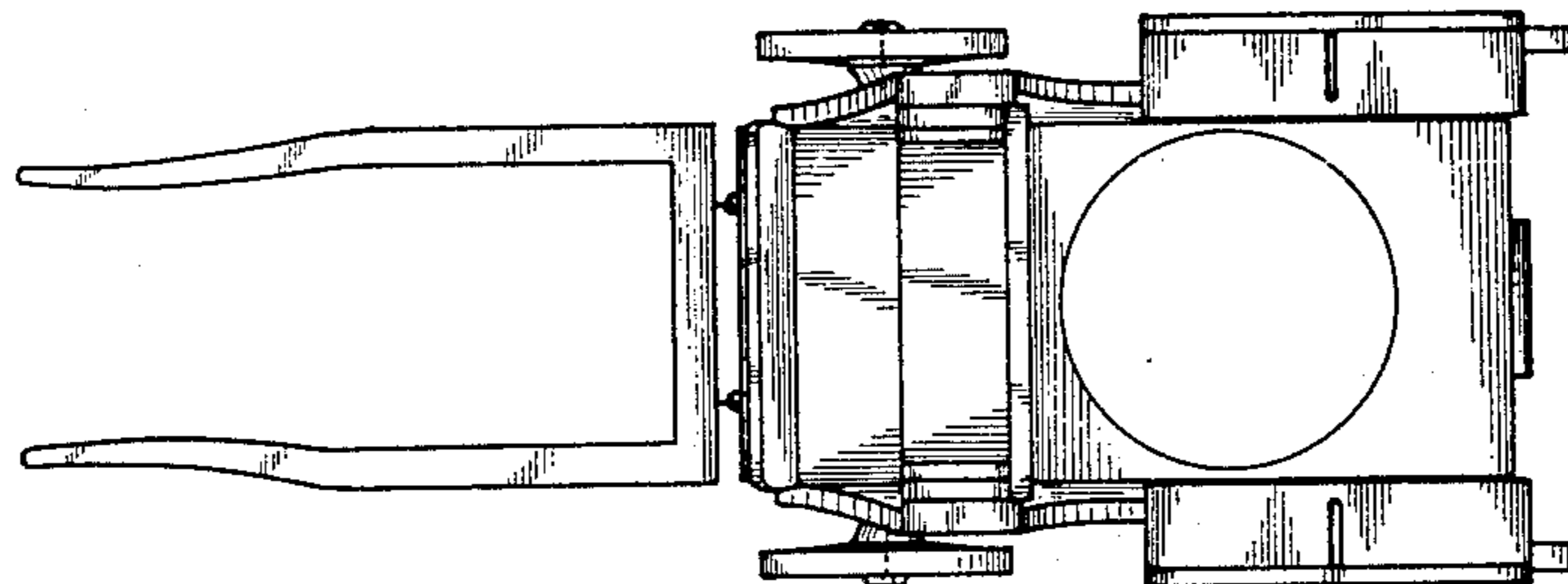
DESCRIPTION

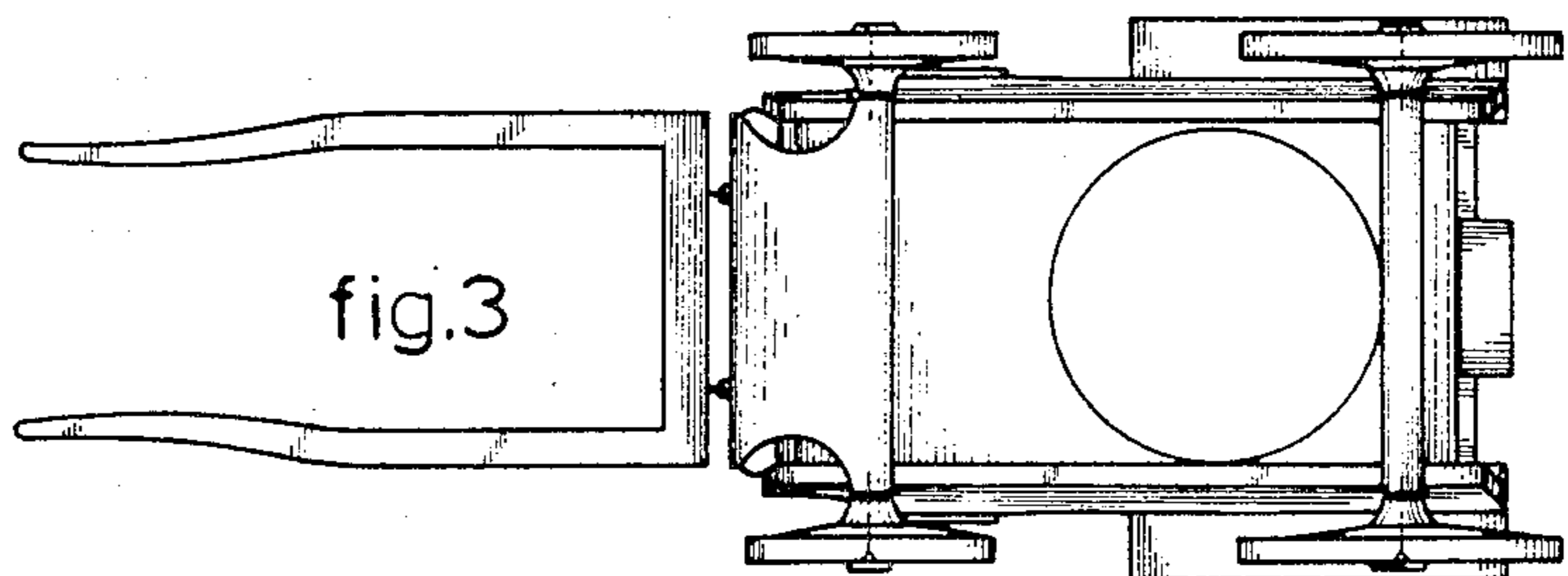
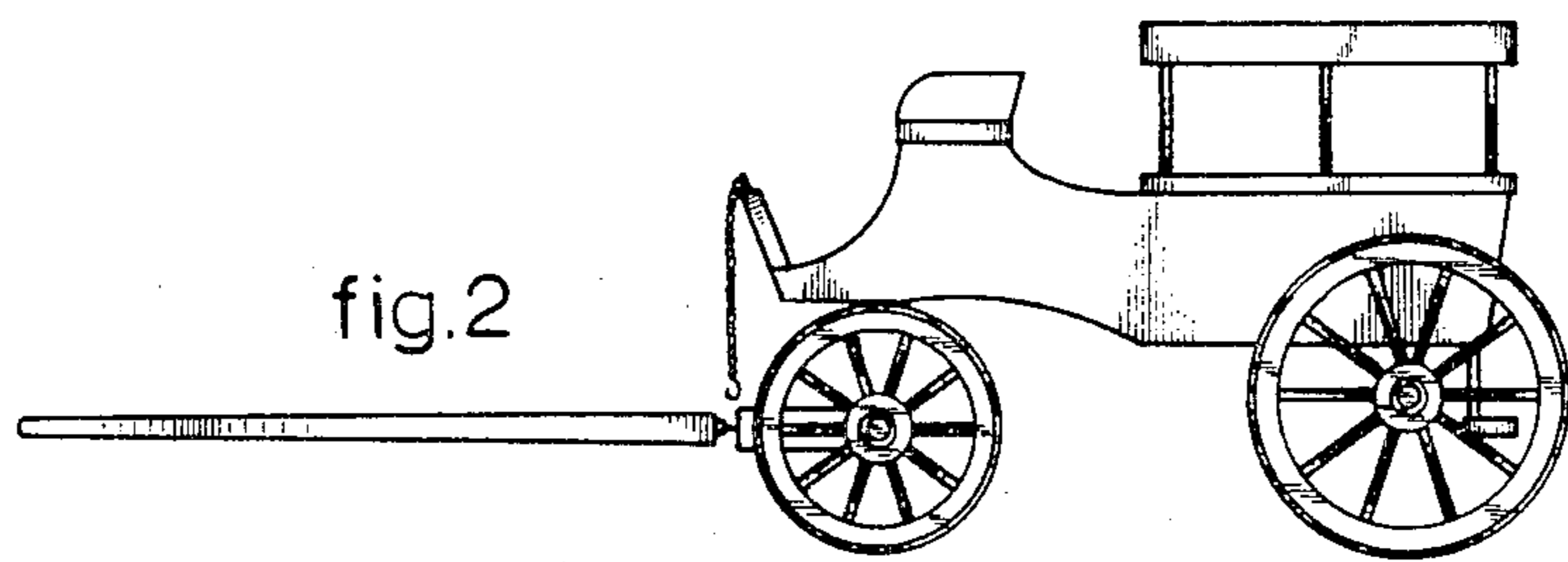
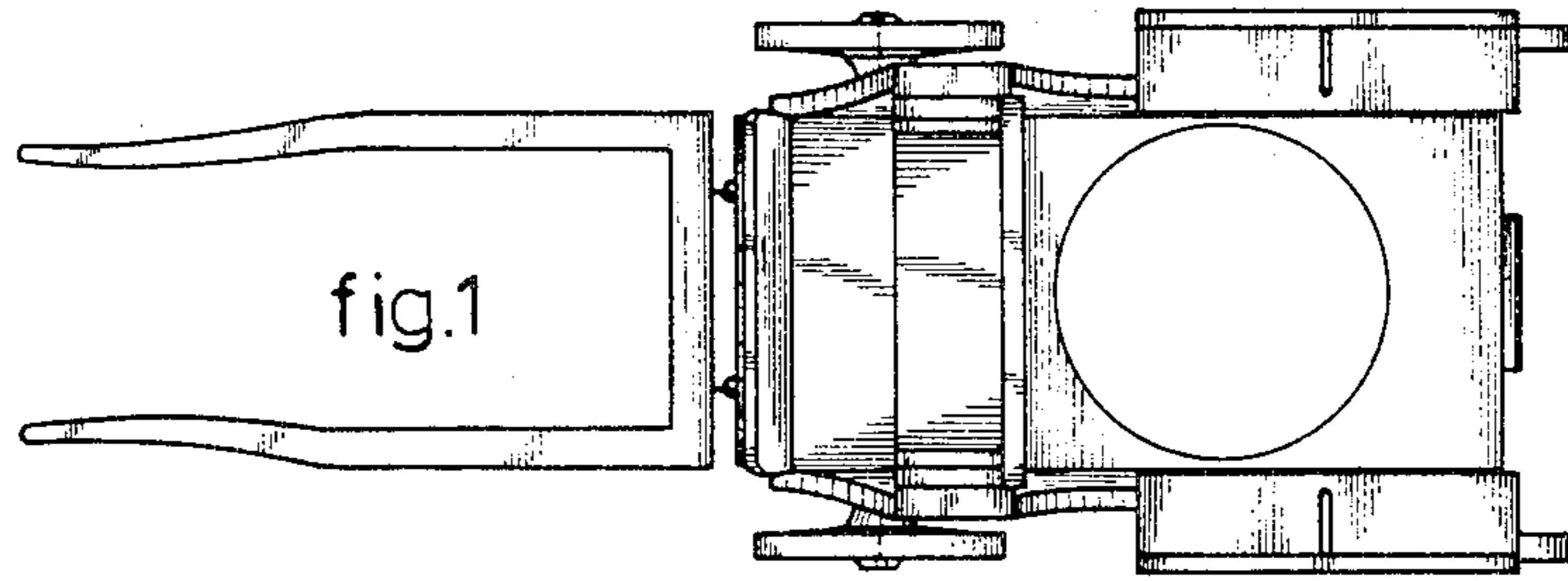
[56] References Cited

U.S. PATENT DOCUMENTS

D.17,276 4/1887 Walden D12/17
D.79,459 4/1929 Divan D21/134

FIG. 1 is a top plan view of a support for flower pots showing my new design;
FIG. 2 is a side elevational view thereof;
FIG. 3 is a bottom plan view thereof;
FIG. 4 is a reduced side elevational view, opposite that seen in FIG. 2;
FIG. 5 is a front elevational view thereof;
FIG. 6 is a rear elevational view thereof.





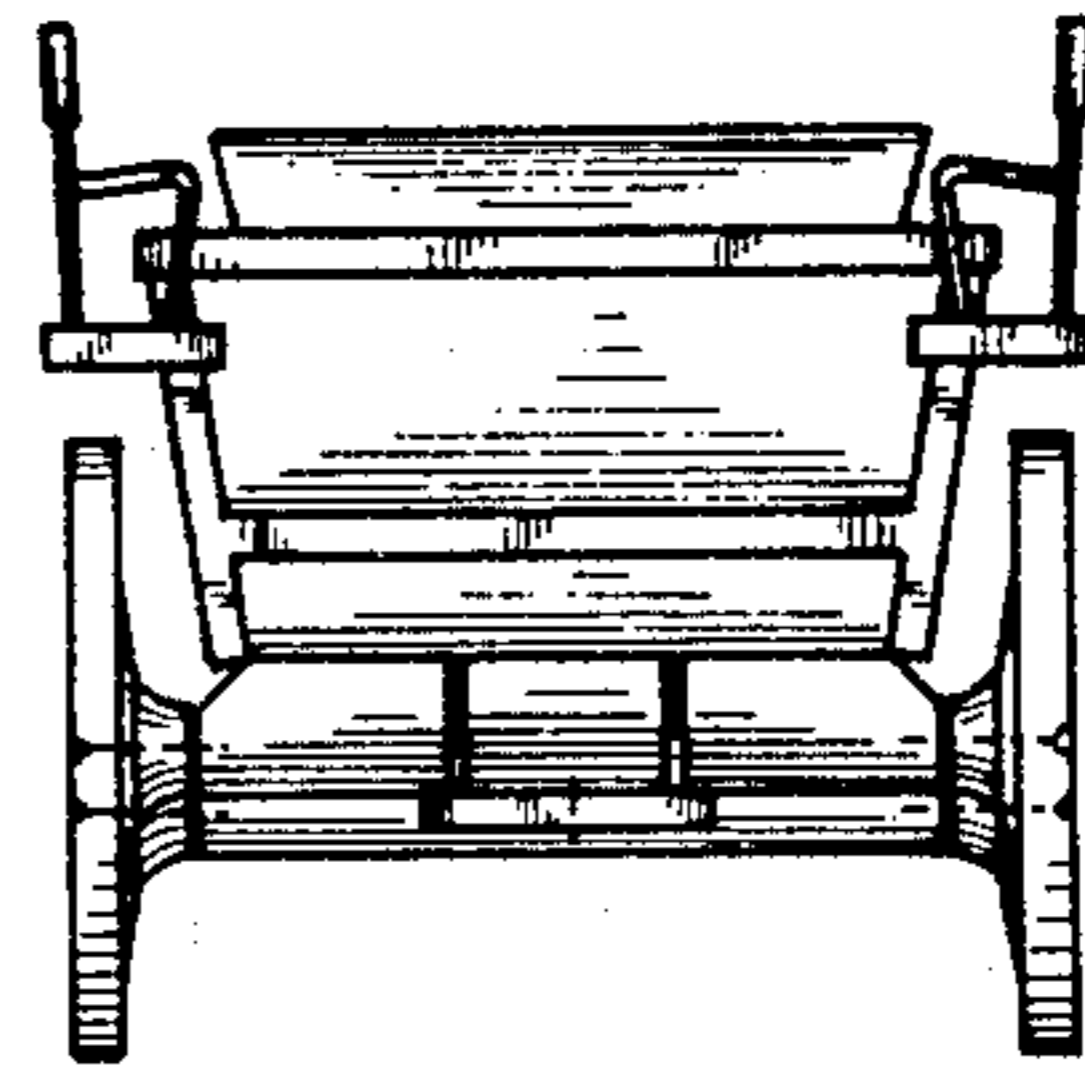
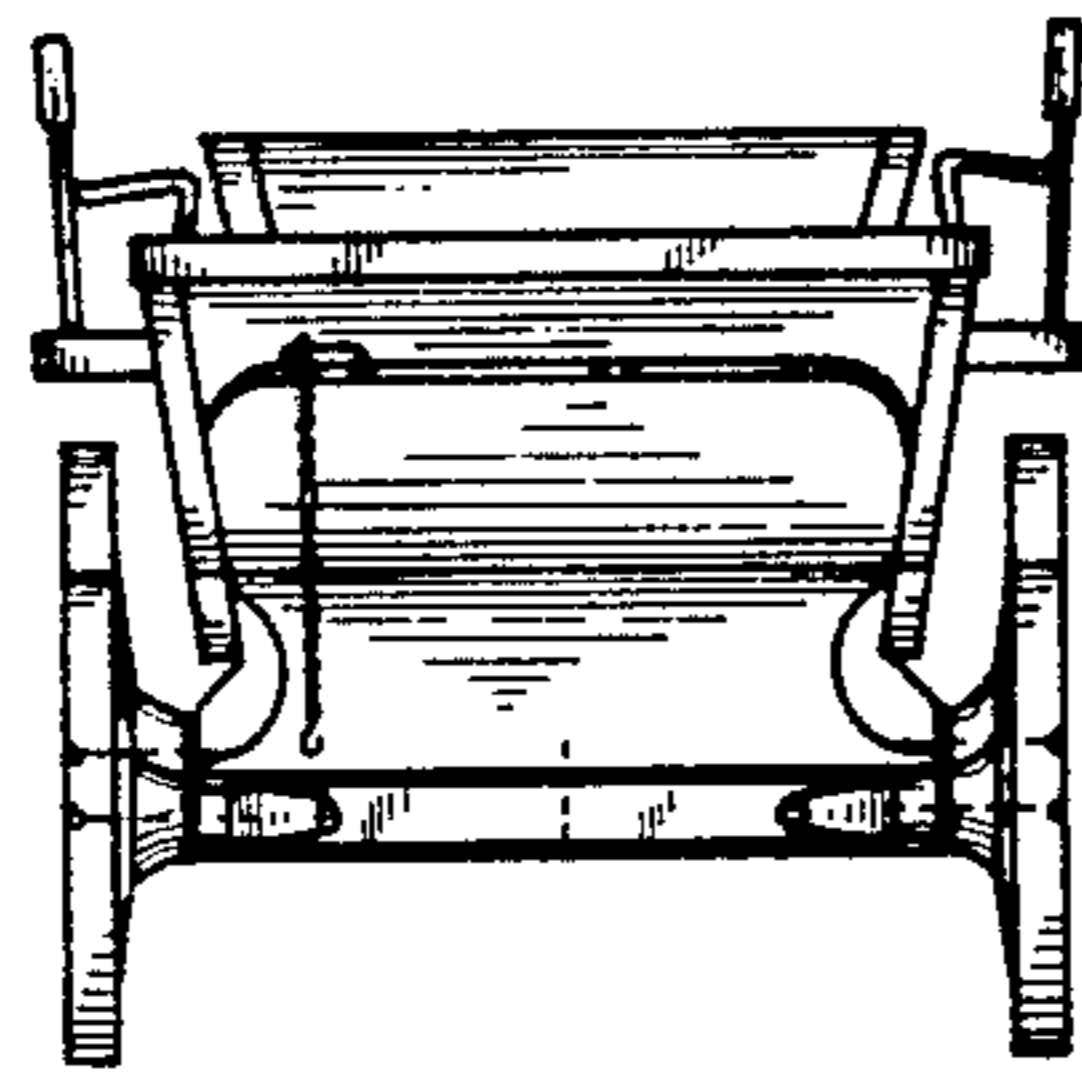
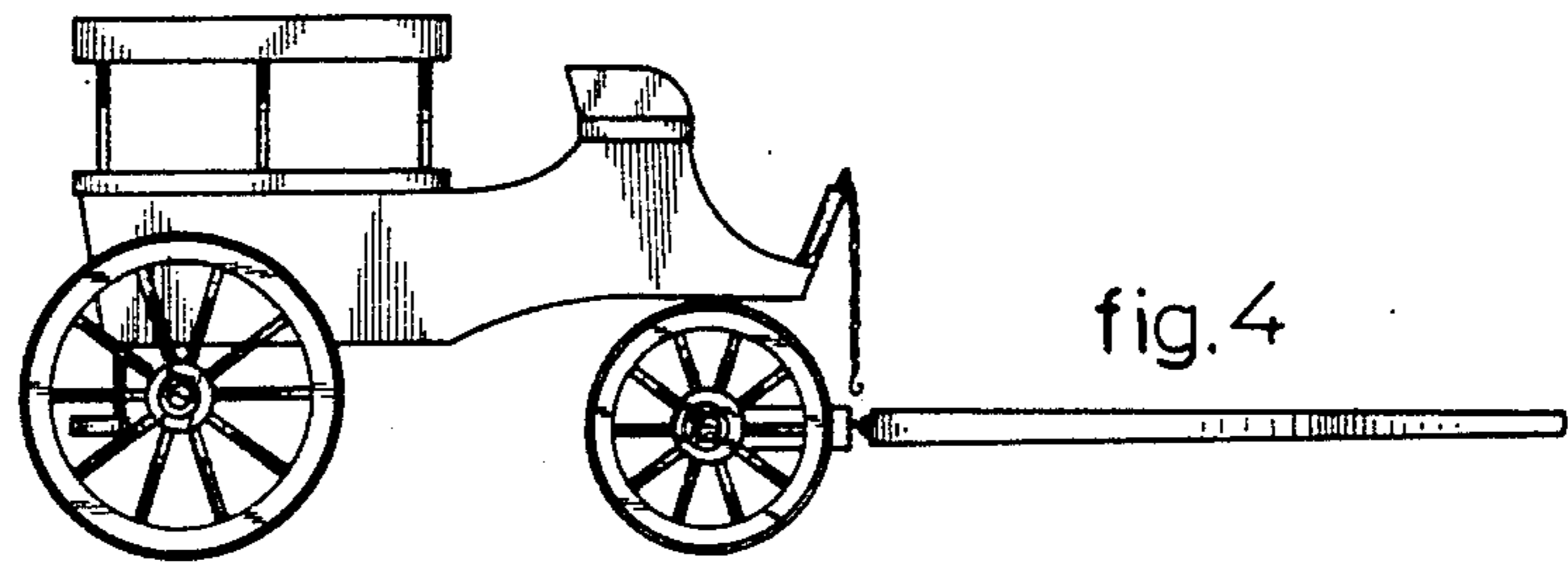


fig. 5

fig. 6