

[54] LUGGAGE CASE

[75] Inventors: Eckhard Knoepke, Norwalk, Conn.;
Martin R. Feinberg, New York, N.Y.

[73] Assignee: Samsonite Corporation, Denver,
Colo.

[**] Term: 14 Years

[21] Appl. No.: 591,143

[22] Filed: Mar. 19, 1984

[52] U.S. Cl. D3/48; D3/71;
D3/77

[58] Field of Search D3/30.1, 33, 35, 42,
D3/48, 52, 71, 76, 77; 190/100, 104, 106, 110,
115, 118

[56] References Cited

U.S. PATENT DOCUMENTS

- D. 264,146 5/1982 Davis D3/71
- D. 267,522 1/1983 Stark D3/71
- D. 268,628 4/1983 Stark D3/71

OTHER PUBLICATIONS

Luggage & Travelware, 2/77, p. 52.
Luggage & Travelware, 2/77, p. 31, top right.
Luggage & Travelware, 4/78, p. 6, right center.

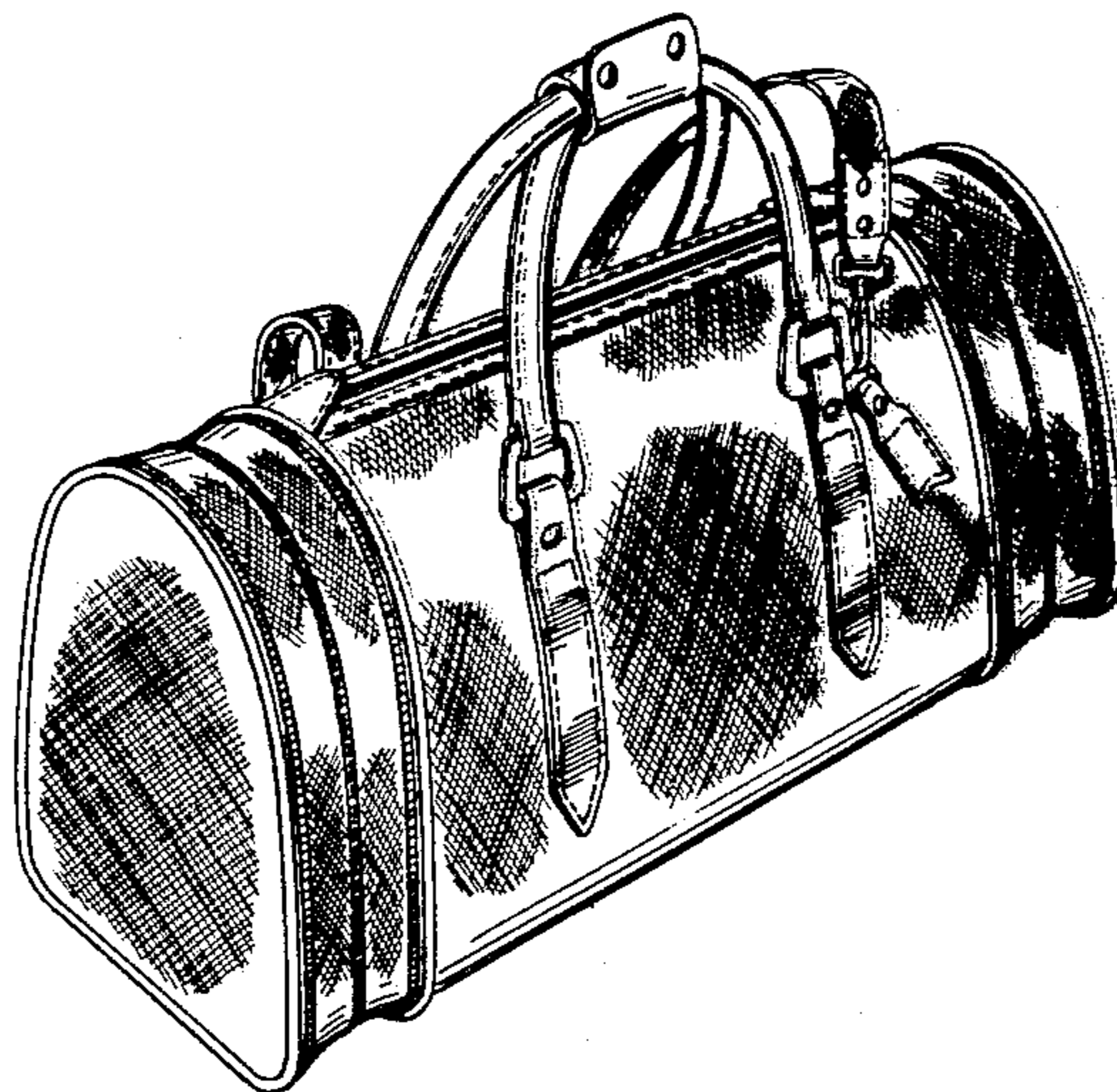
Primary Examiner—George P. Word
Attorney, Agent, or Firm—Gregory W. O'Connor

[57] CLAIM

The ornamental design for a luggage case, substantially as shown and described.

DESCRIPTION

FIG. 1 is a perspective view of a luggage case showing our new design;
FIG. 2 is a top plan view thereof;
FIG. 3 is a left side elevational view thereof;
FIG. 4 is a front elevational view thereof;
FIG. 5 is a rear elevational view thereof;
FIG. 6 is a right side elevational view thereof;
FIG. 7 is a bottom plan view thereof;
FIG. 8 is a front perspective view similar to FIG. 1, but showing the luggage case with its end portions expanded, and with a carrying strap attached to the case; and
FIG. 9 is a rear elevational view of the luggage case shown in FIG. 8.



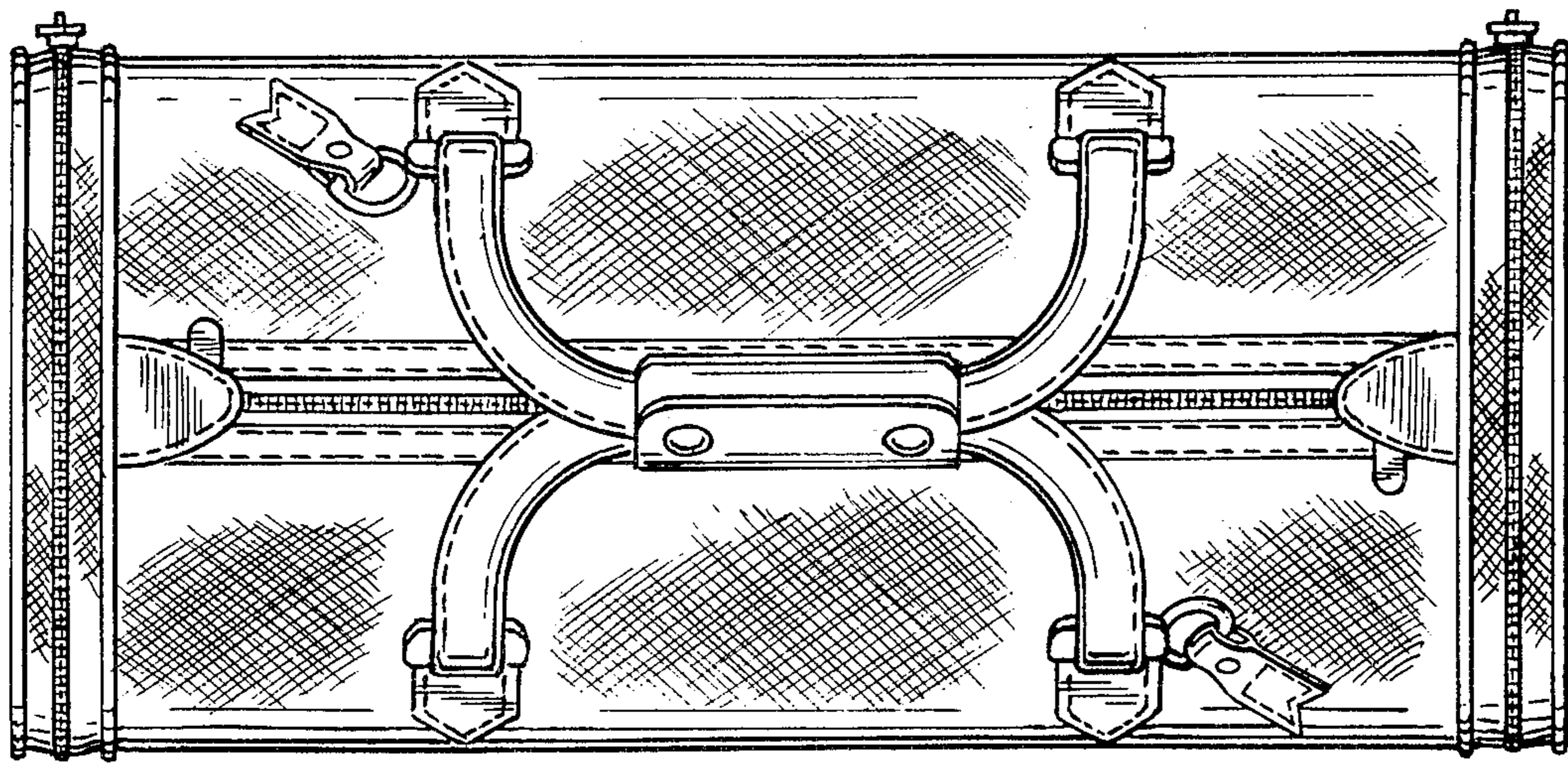


FIG. 2

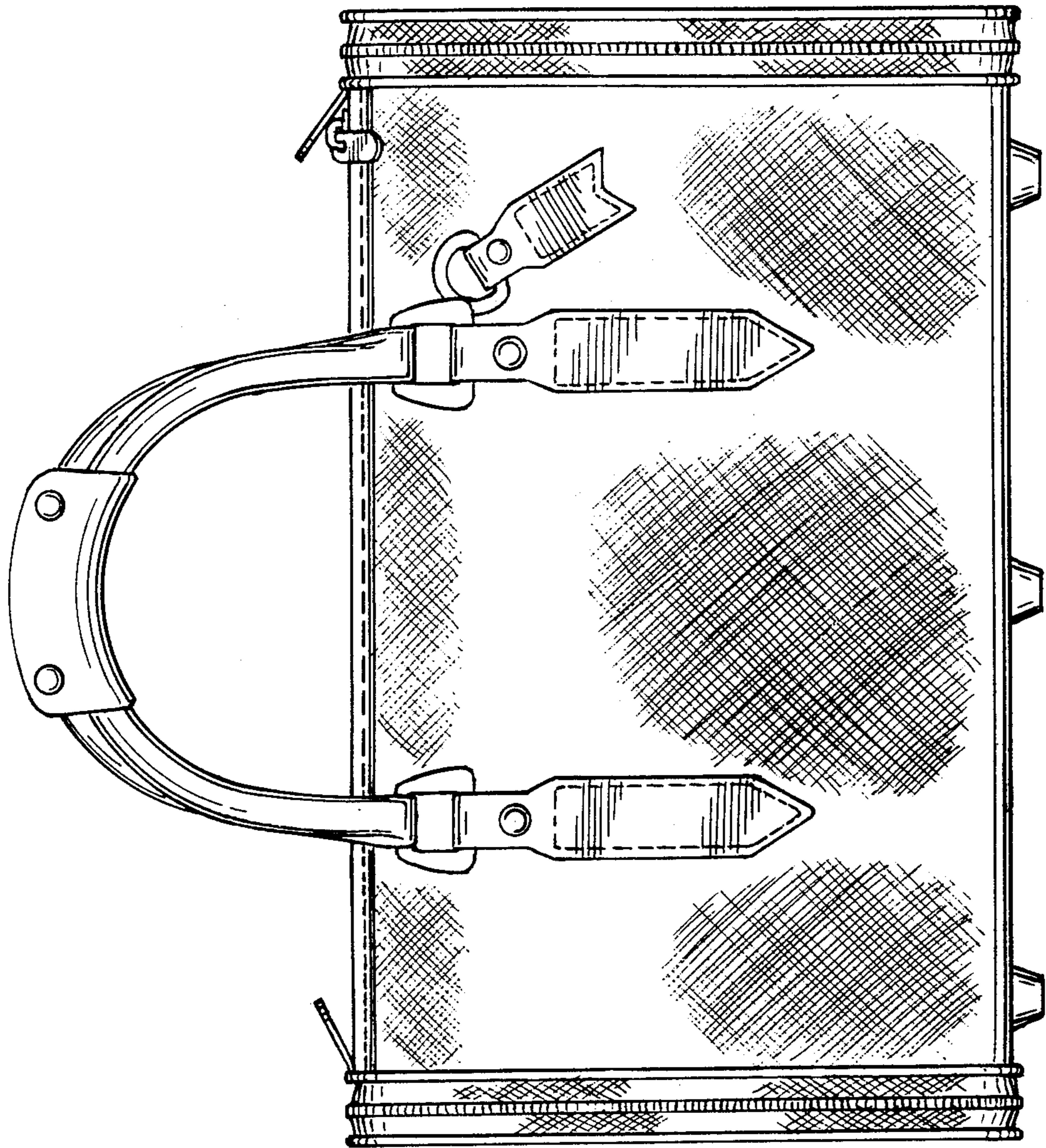


FIG. 4

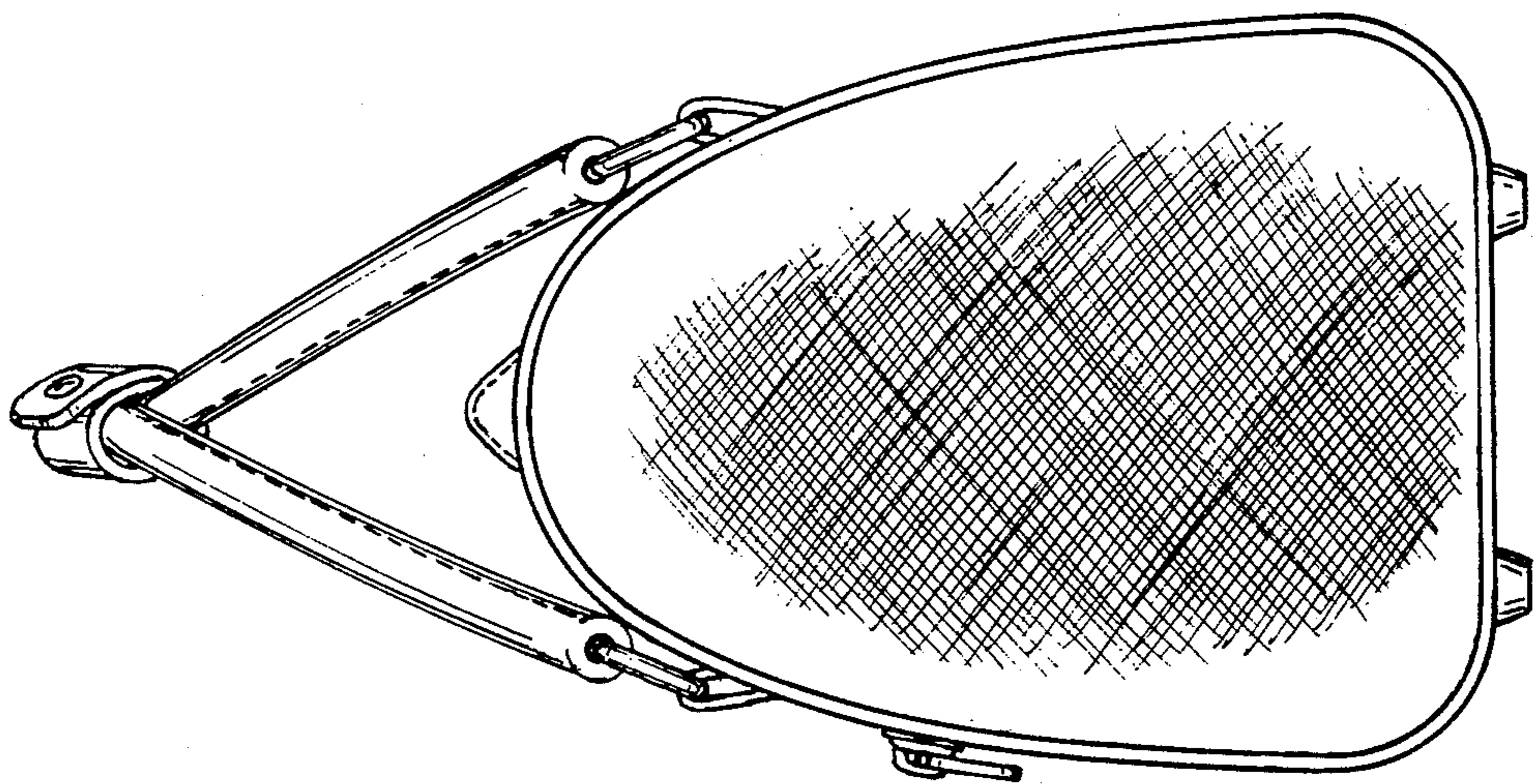


FIG. 5

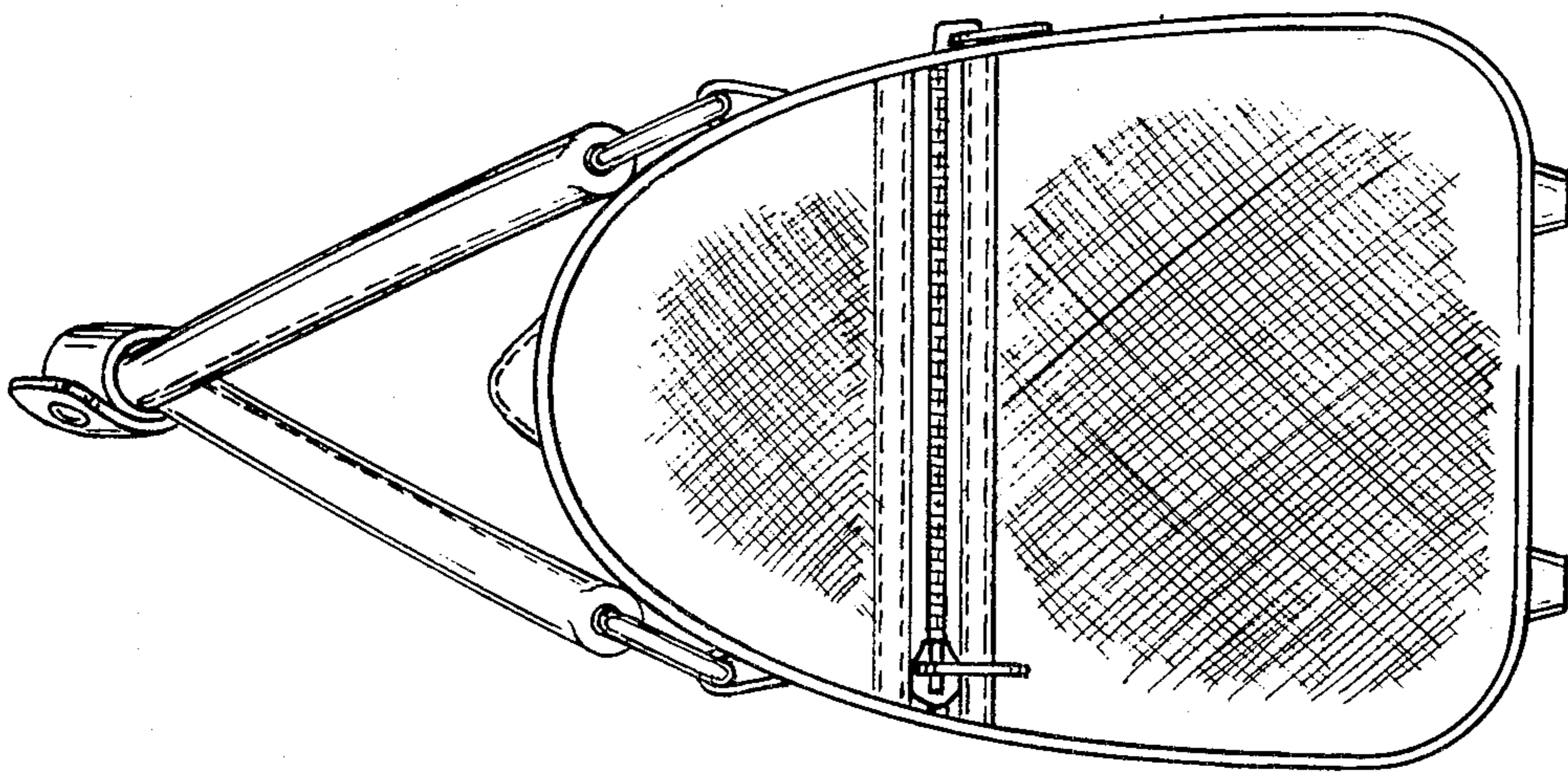


FIG. 6

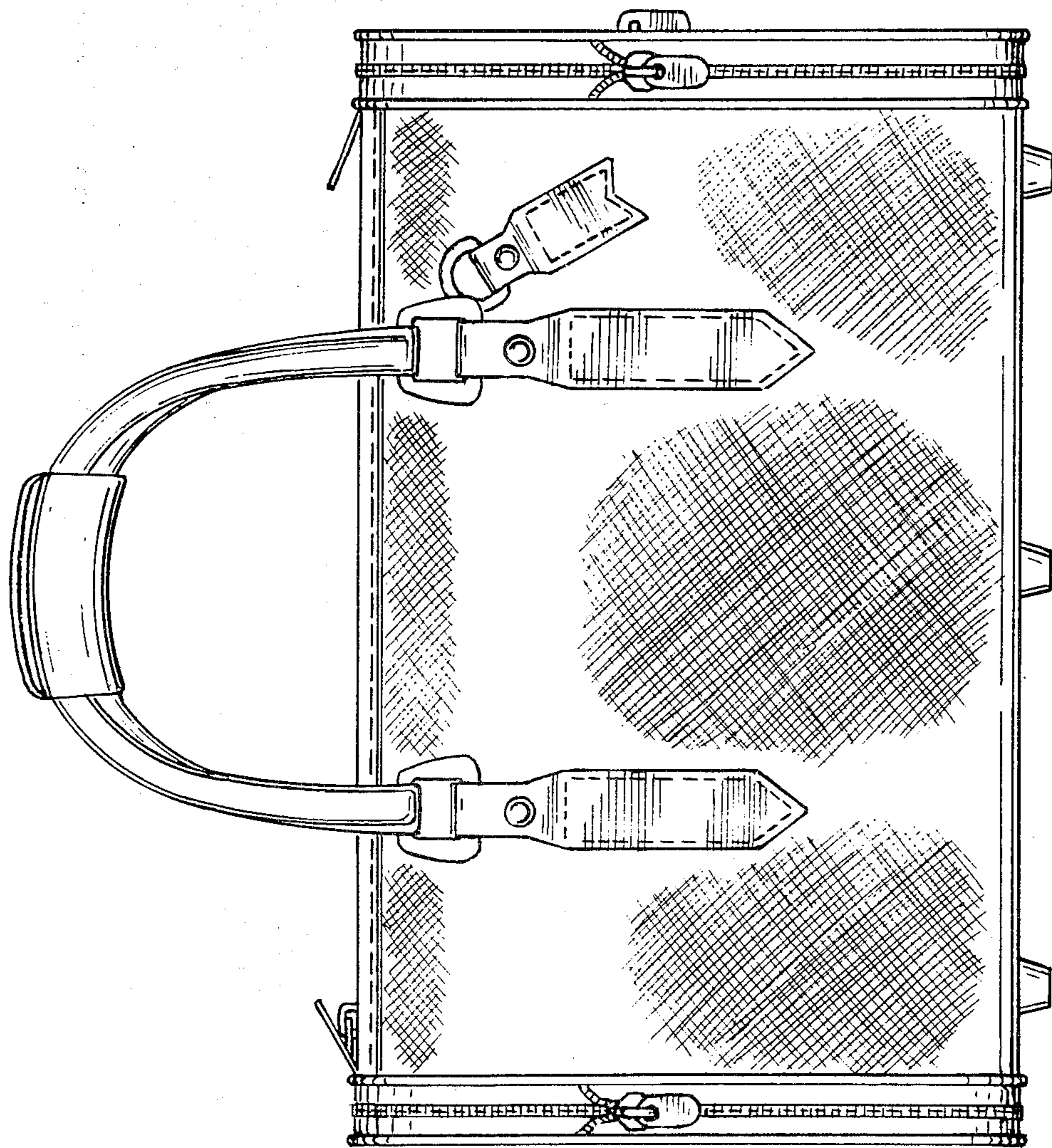


FIG. 5

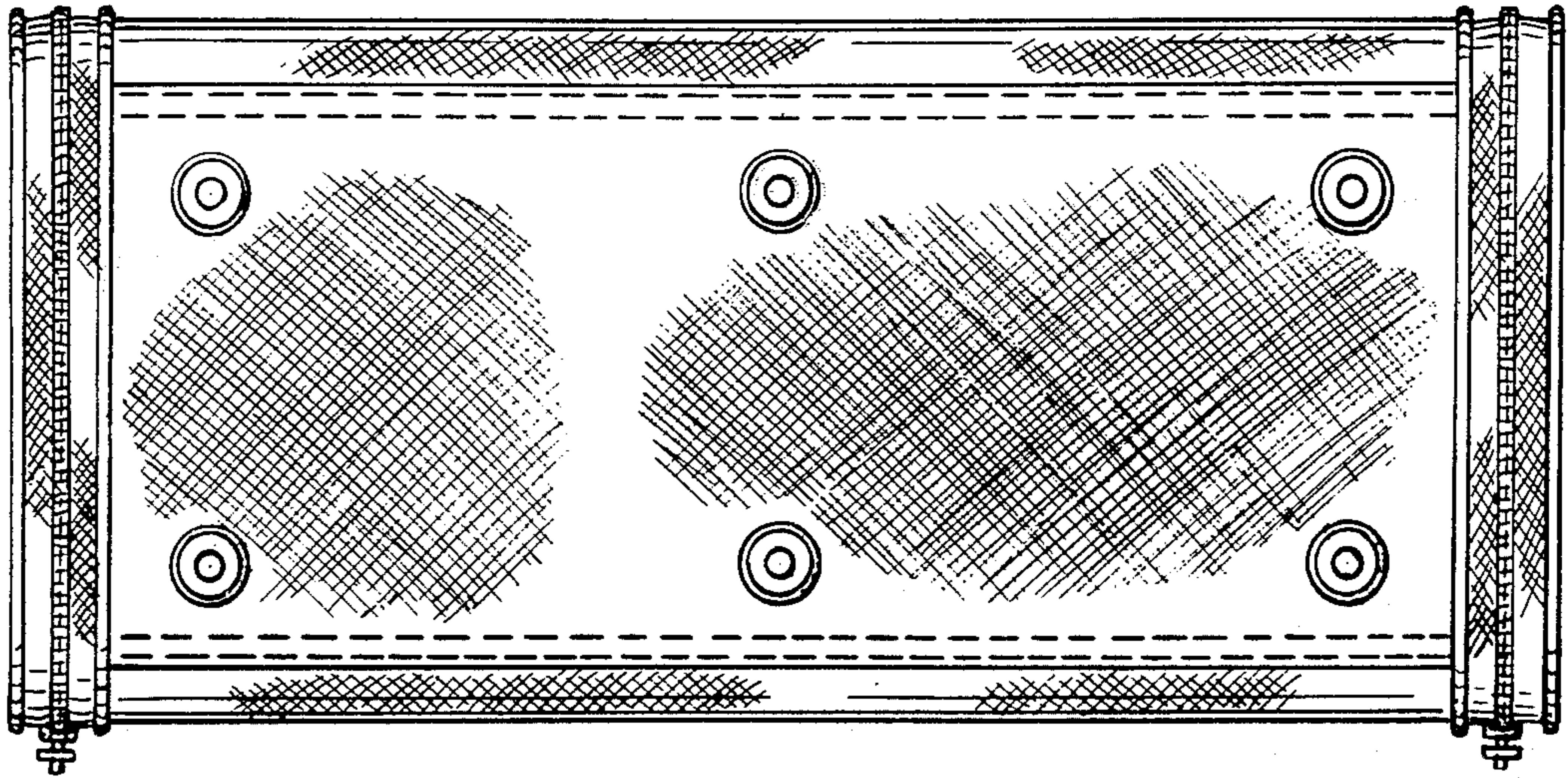


FIG. 7

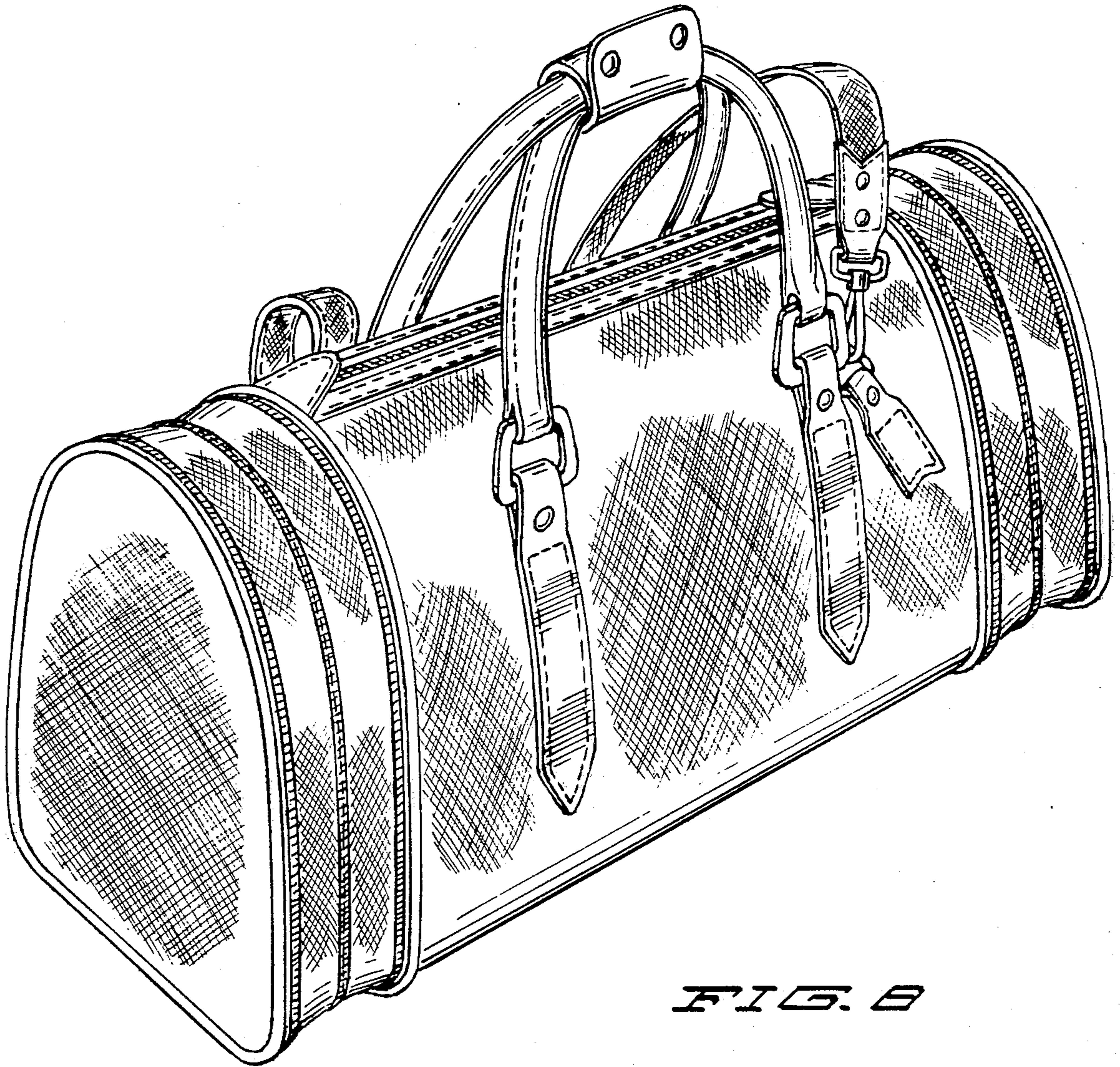


FIG. 8

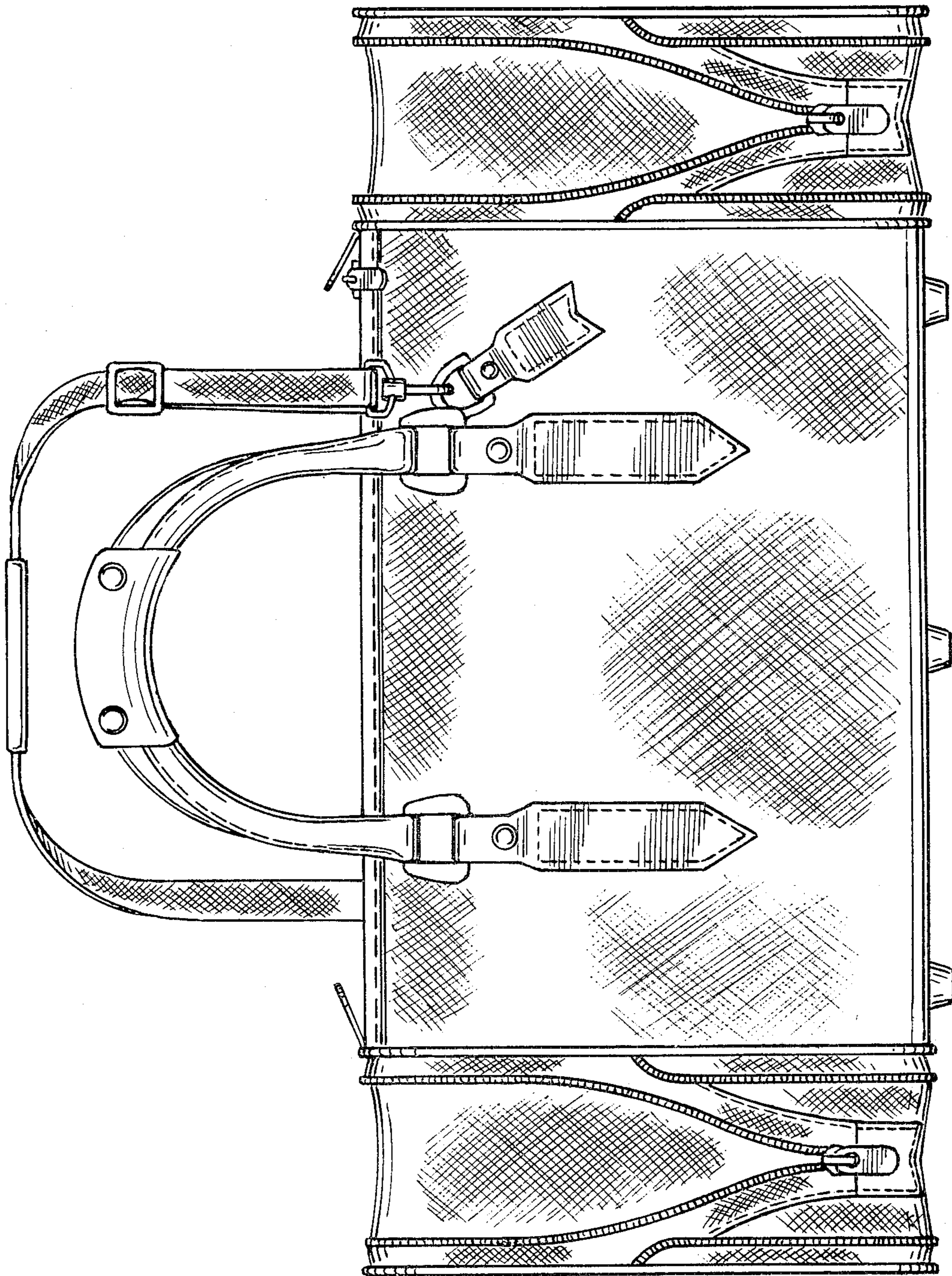


FIG. 9