

[54] BELT BUCKLE

4,318,207 3/1982 Stroud 24/163 K

[76] Inventor: Jack C. Seehase, 1200 Osceola Ave., Winter Park, Fla. 32789

[**] Term: 14 Years

[21] Appl. No.: 756,343

[22] Filed: Jul. 18, 1985

[52] U.S. Cl. D11/232

[58] Field of Search D2/405, 406, 407, 410, D2/411, 414, 417, 419, 420, 422, 423, 424, 425, 427, 430, 431, 438, 439, 440, 441, 442, 443, 444, 432, 380, 384, 394, 445; 24/163 K, 186, 176, 198; D11/160; D19/96, 97

[56] References Cited

U.S. PATENT DOCUMENTS

D. 212,333	10/1968	Del Porto	D11/160
D. 254,523	3/1980	Van Brouwer	D2/431
1,987,469	1/1935	Devendor et al.	D2/445 X

OTHER PUBLICATIONS

Sunset House Catalog, ©1967, p. 37, bottom left of page, Rainbow Gift Box Assortment.
Sunday Magazine, The Washington Star, Jun. 12, 1966, p. 20, upper right of page.
Cartridges of the World by Frank C. Barnes ©1976, p. 293, top right of page.

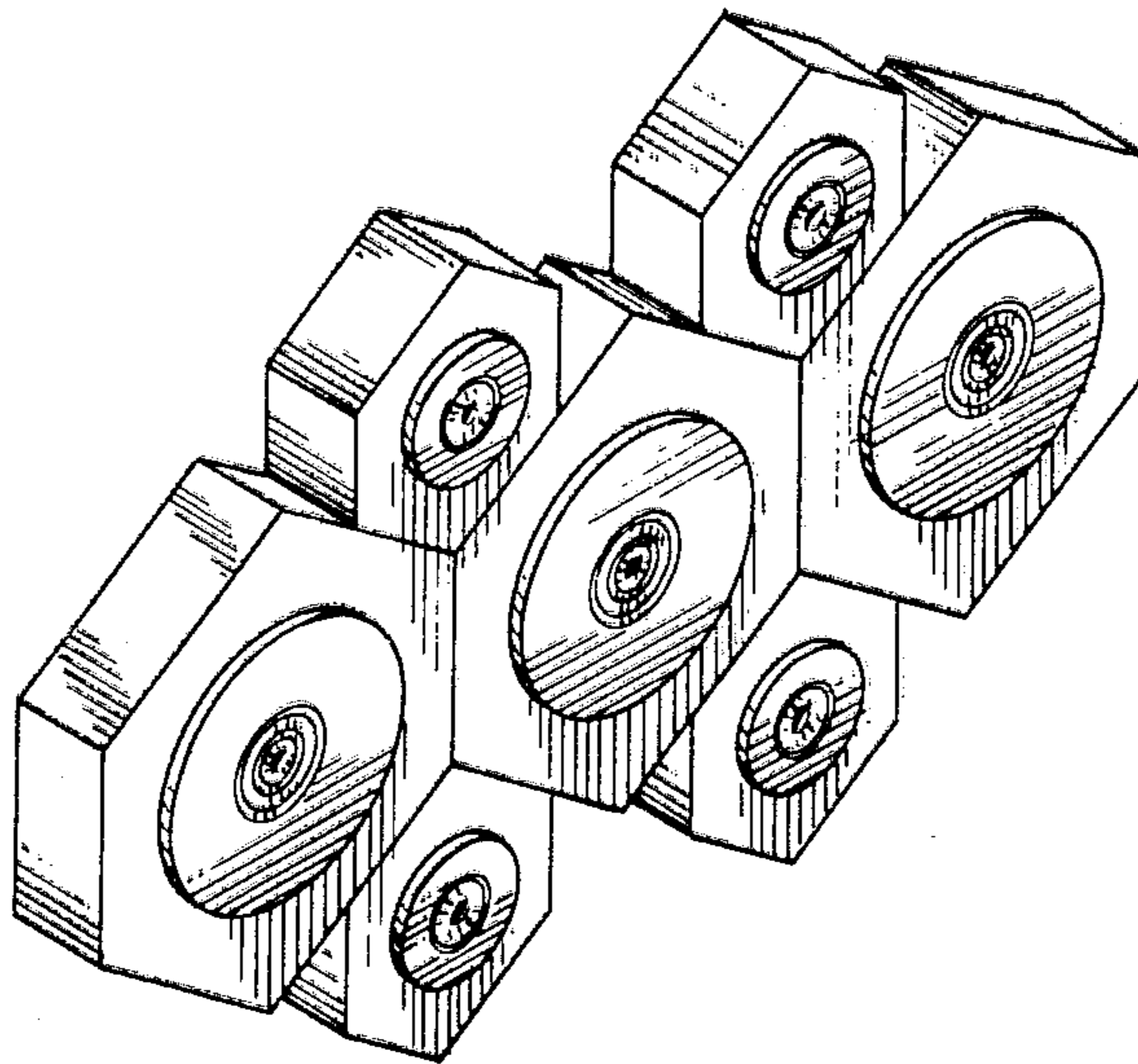
Primary Examiner—Bernard Ansher
Assistant Examiner—Theodore M. Shooman
Attorney, Agent, or Firm—Julian C. Renfro

[57] CLAIM

The ornamental design for a belt buckle, as shown.

DESCRIPTION

FIG. 1 is a front elevational view of a belt buckle showing my new design;
FIG. 2 is a front isometric view thereof; and
FIG. 3 is a rear isometric view thereof.



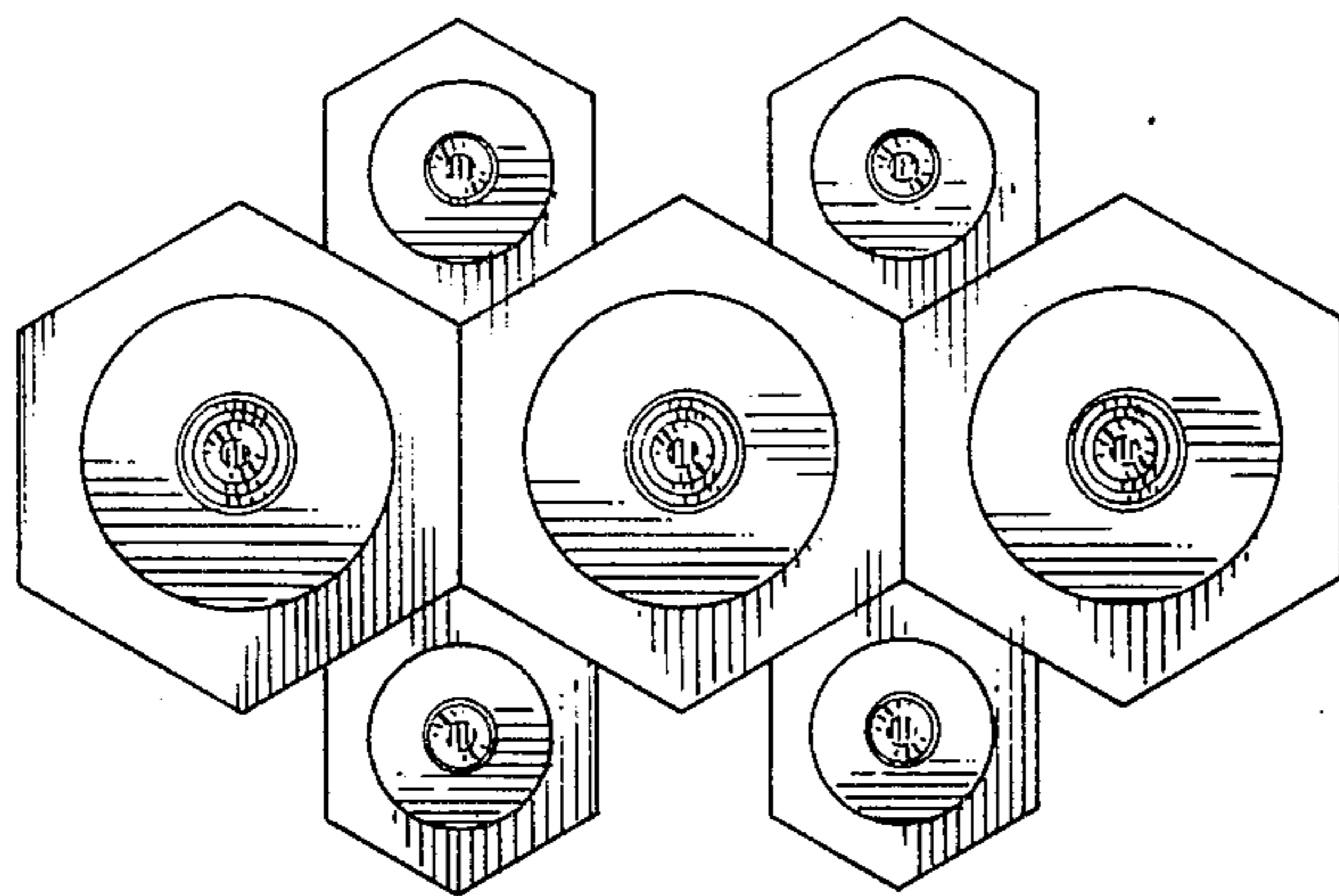


FIG. 1

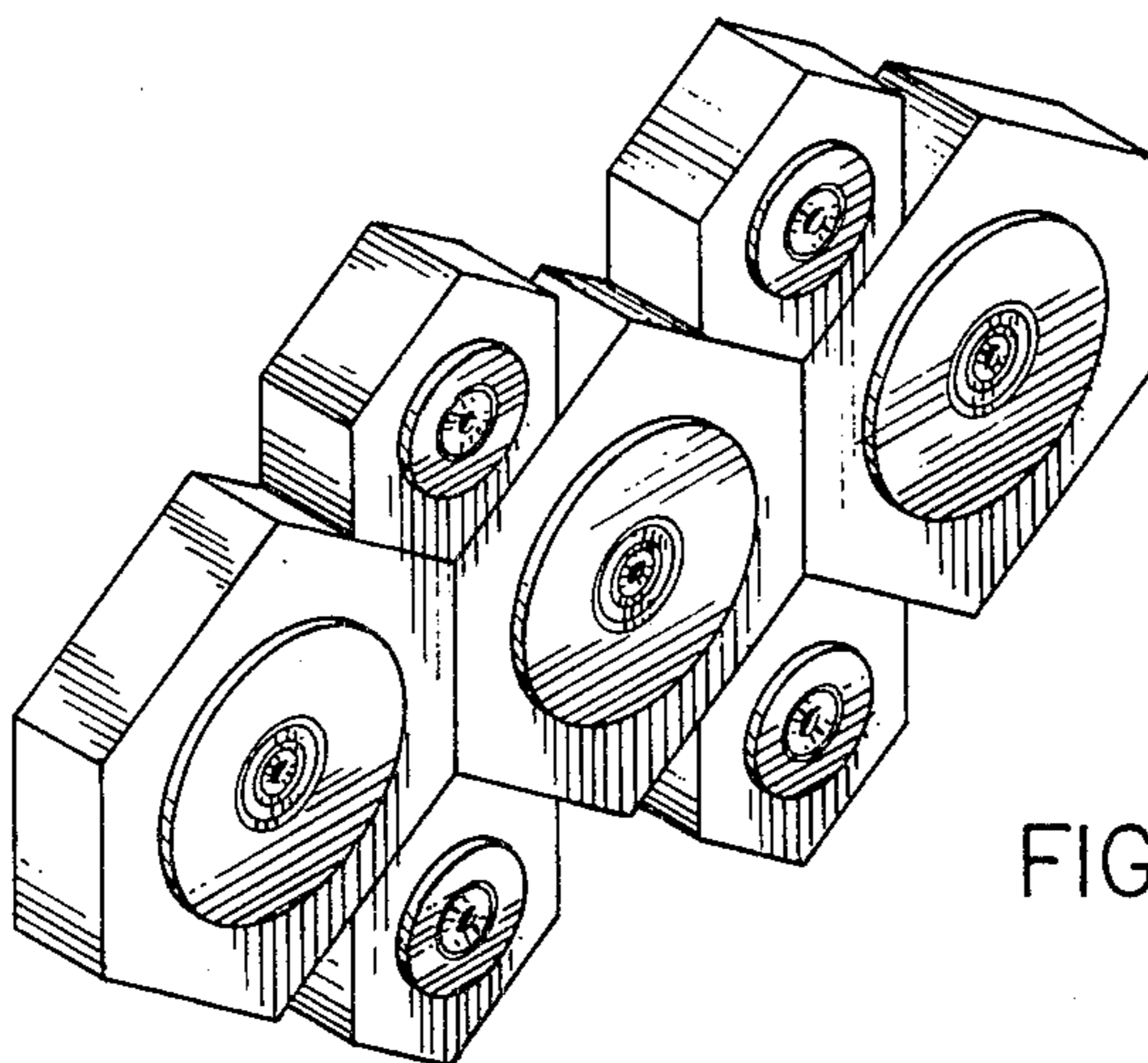


FIG. 2

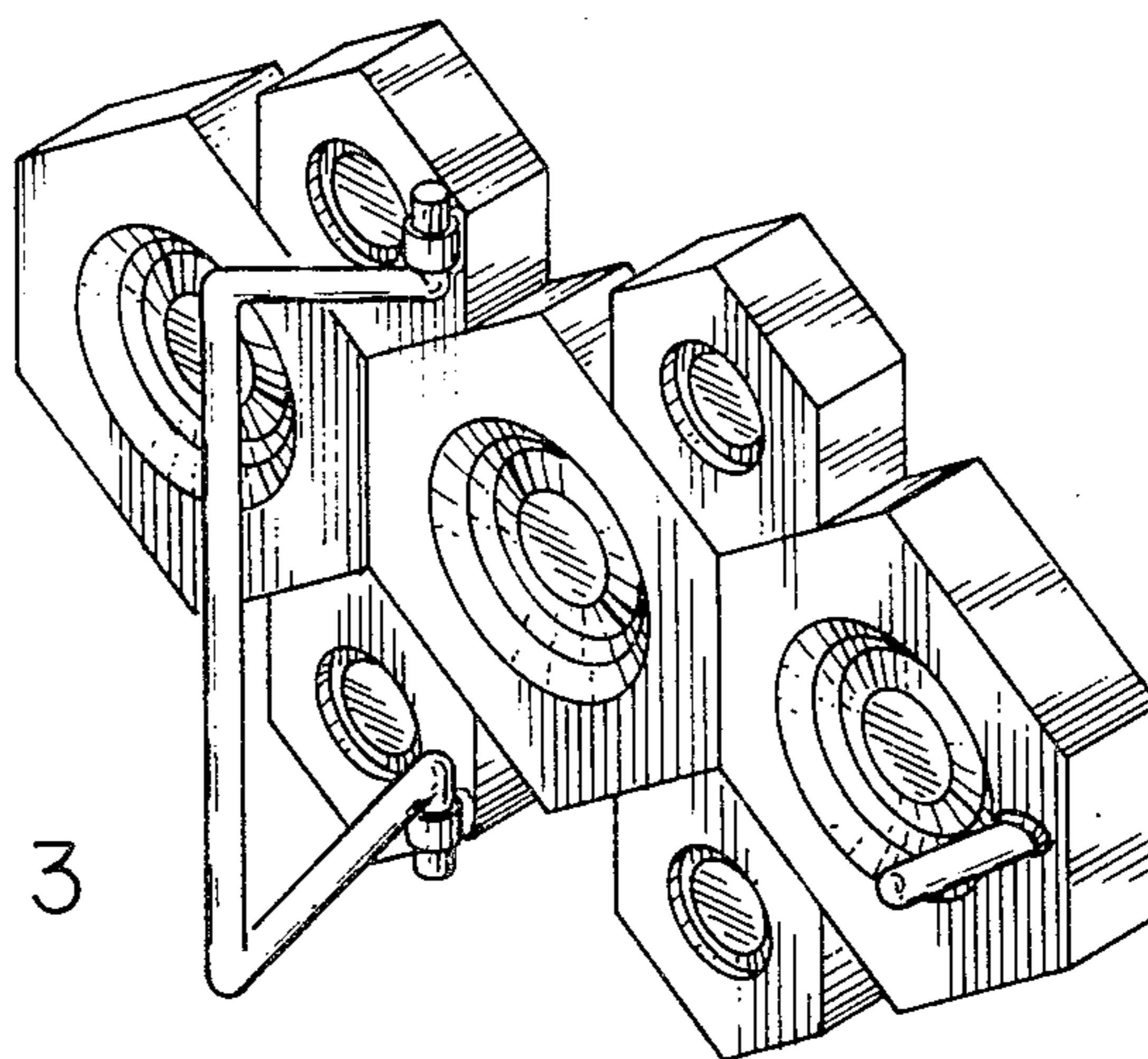


FIG. 3