

[54] BELT BUCKLE

[76] Inventor: Jack C. Seehase, 1200 Osceola Ave., Winter Park, Fla. 32789

[\*\*] Term: 14 Years

[21] Appl. No.: 756,341

[22] Filed: Jul. 18, 1985

[52] U.S. Cl. .... D11/232

[58] Field of Search ..... D2/380, 384, 374, 405, D2/406, 407, 410, 411, 414, 417, 419, 420, 422, 423, 424, 425, 427, 430, 431, 432, 438, 439, 440, 441, 442, 443, 444, 445; 24/163 K, 186, 176, 198; D11/160; D19/96, 97

[56] References Cited

U.S. PATENT DOCUMENTS

- D. 212,333 10/1968 Del Porto ..... D11/160
- D. 254,523 3/1980 Van Brouwer ..... D2/431
- 1,987,469 1/1935 Devendor et al. .... D2/445 X

4,318,207 3/1982 Stroud ..... 24/163 K

OTHER PUBLICATIONS

Sunset House Catalog, ©1967, p. 37, bottom left of page, Rainbow Gift Box Assortment.  
 Sunday Magazine, The Washington Star, Jun. 12, 1966, p. 20, upper right of page.  
 Cartridges of the World by Frank C. Barnes, ©1976, p. 293, top right of page.

Primary Examiner—Bernard Ansher  
 Assistant Examiner—Theodore M. Shooman  
 Attorney, Agent, or Firm—Julian C. Renfro

[57] CLAIM

The ornamental design for a belt buckle, as shown.

DESCRIPTION

FIG. 1 is a front elevational view of a belt buckle showing my new design;  
 FIG. 2 is a front isometric view thereof; and  
 FIG. 3 is a rear isometric view thereof.

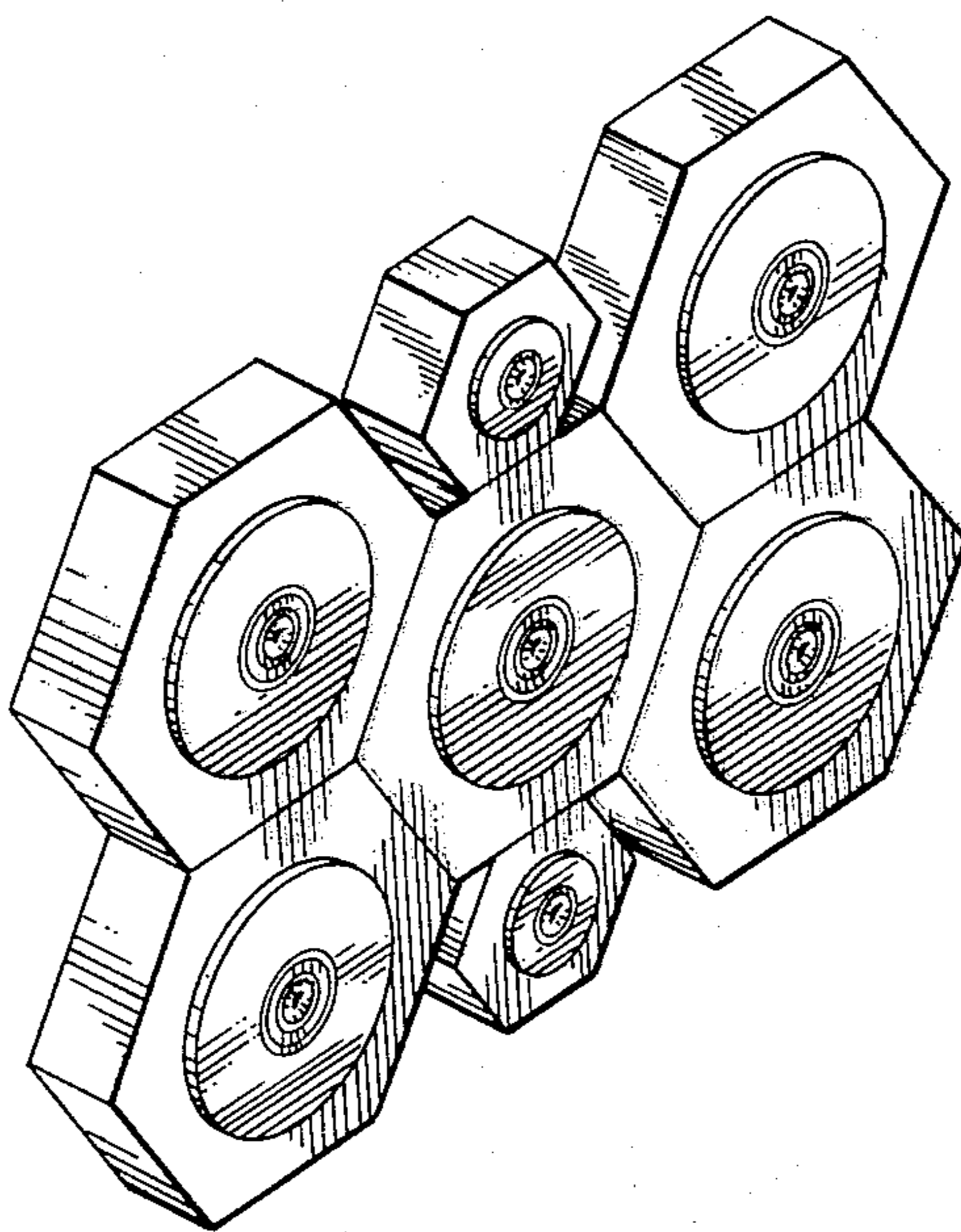


FIG. 1

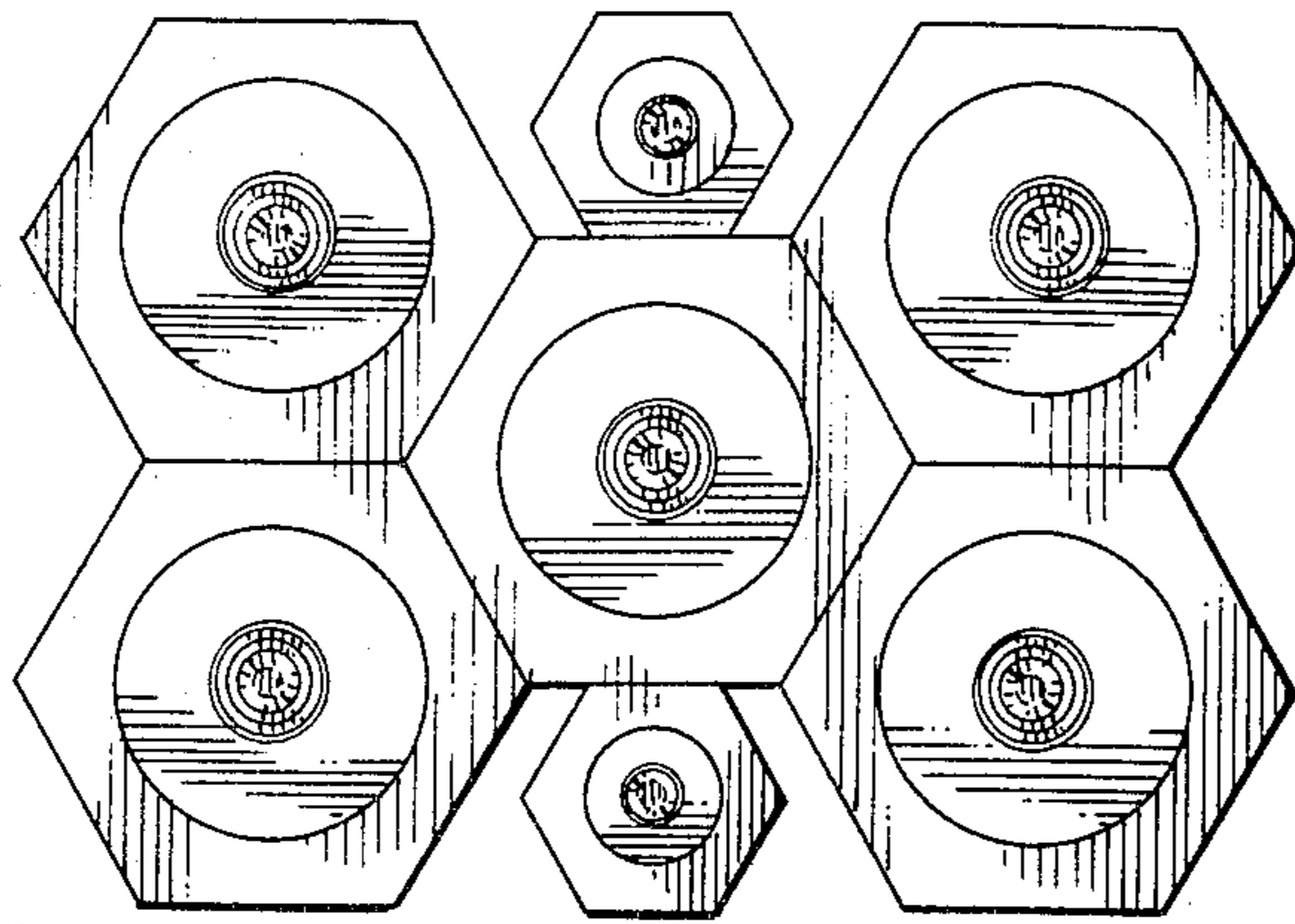


FIG. 2

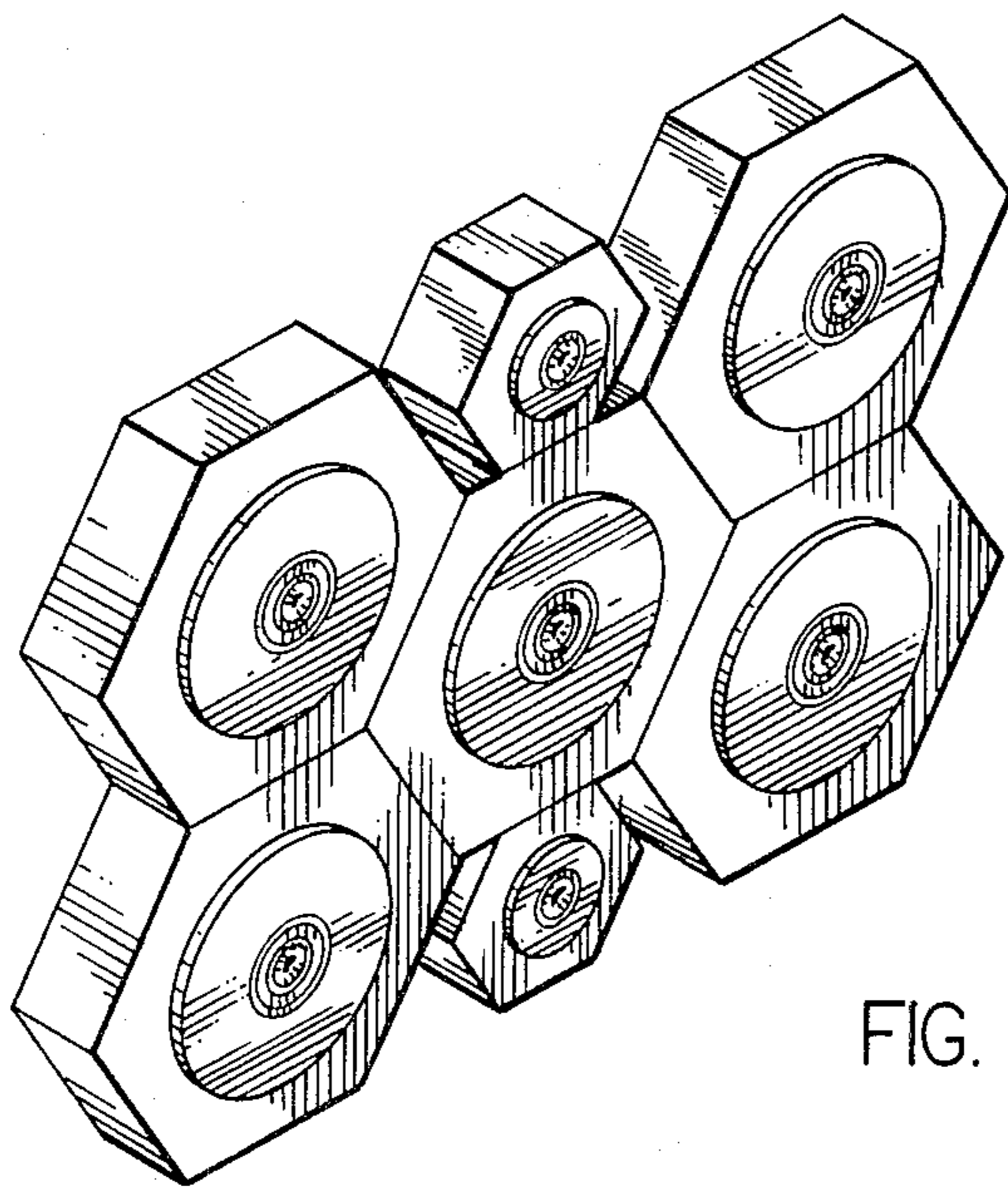


FIG. 3

