

[54] BOTTLE CASE

[76] Inventor: Carl E. Frahm, 1428 Oak Meadow Rd., Arcadia, Calif. 91006

[**] Term: Years

[21] Appl. No.: 557,849

[22] Filed: Dec. 5, 1983

[52] U.S. Cl. D34/43

[58] Field of Search 220/DIG. 2; D34/40, D34/43, 45; 215/12 A; 206/503, 504, 505, 506, 507, 513, 512, 203; 217/36, 127, 19, 52, 53, 54

[56] References Cited

U.S. PATENT DOCUMENTS

D. 263,375	3/1982	Thurman	D34/43
D. 266,709	10/1982	Box	D34/40
D. 274,572	7/1984	Miller	D34/43
4,326,629	4/1982	Tate	206/203

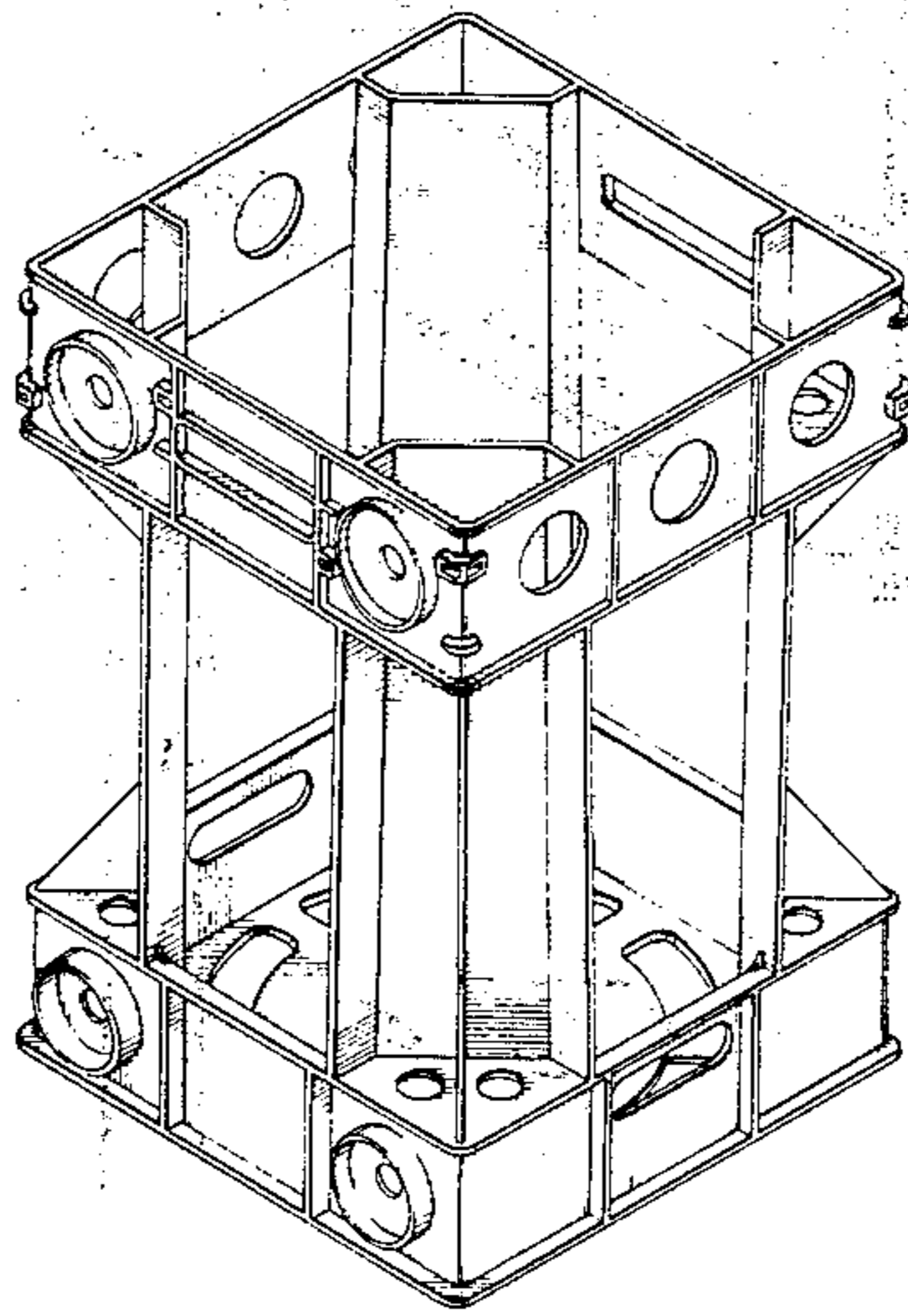
Primary Examiner—Robert C. Spangler
Attorney, Agent, or Firm—Lyon & Lyon

[57] CLAIM

The ornamental design for a bottle case, as shown and described.

DESCRIPTION

FIG. 1 is a perspective view of a bottle case showing my new design;
 FIG. 2 is a side elevational view;
 FIG. 3 is a side elevational view of another side adjacent to that shown in FIG. 2;
 FIG. 4 is a top plan view;
 FIG. 5 is a bottom plan view;
 FIG. 6 is a sectional view taken substantially along line 6—6 of FIG. 2; and
 FIG. 7 is a fragmentary sectional view taken substantially along line 7—7 of FIG. 4.



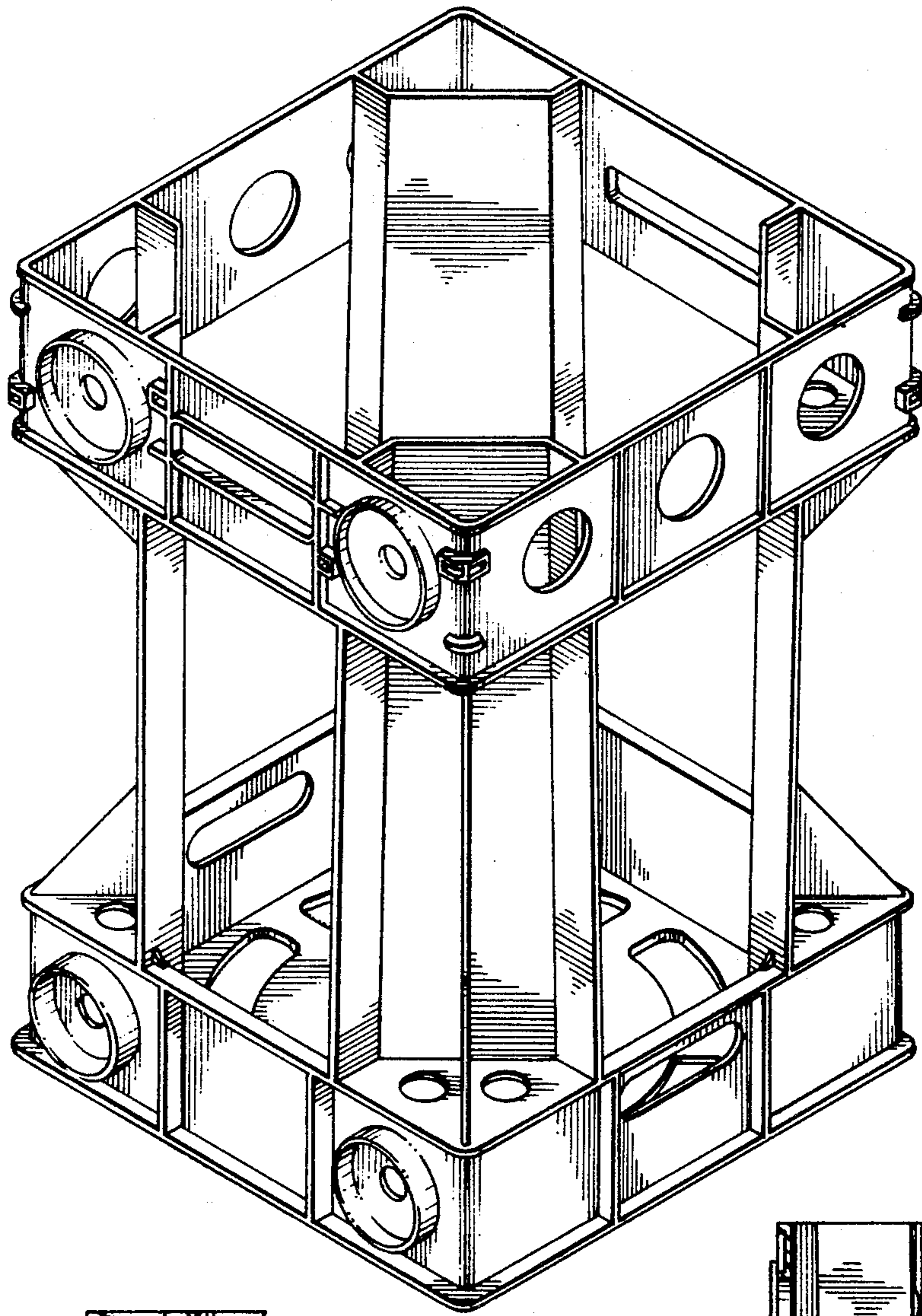


FIG. 1.

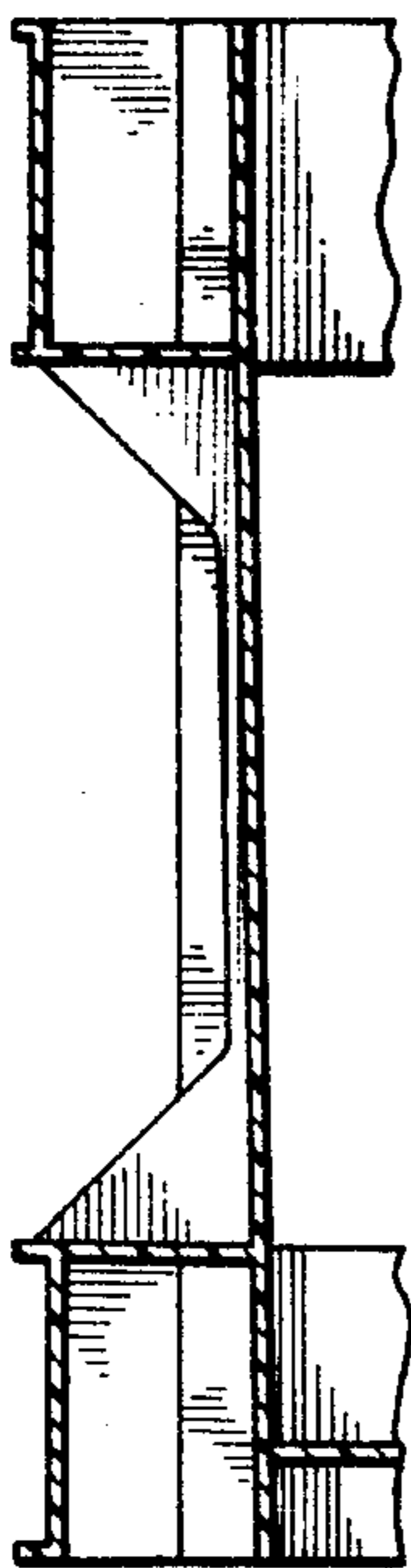
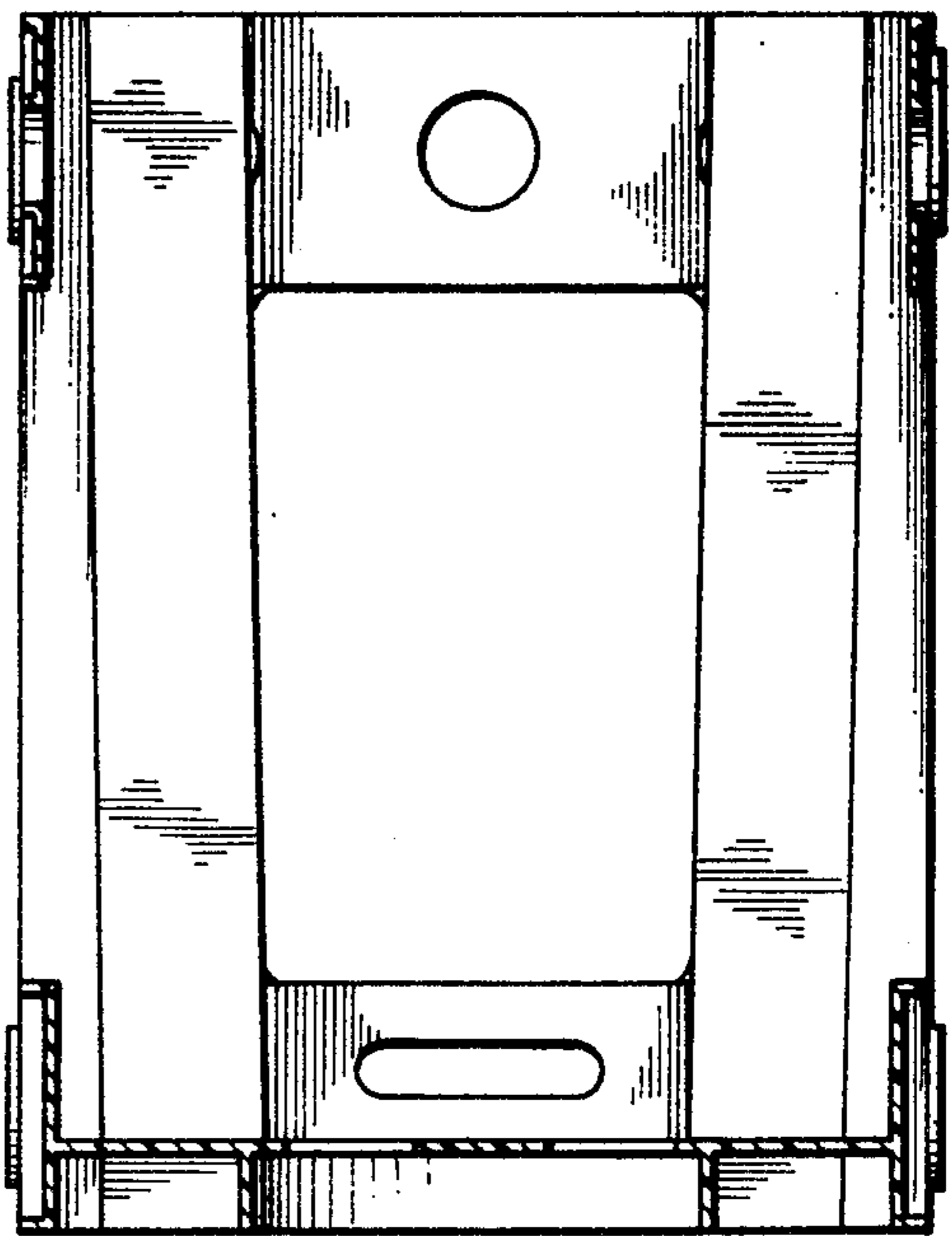


FIG. 7.

FIG. 6.



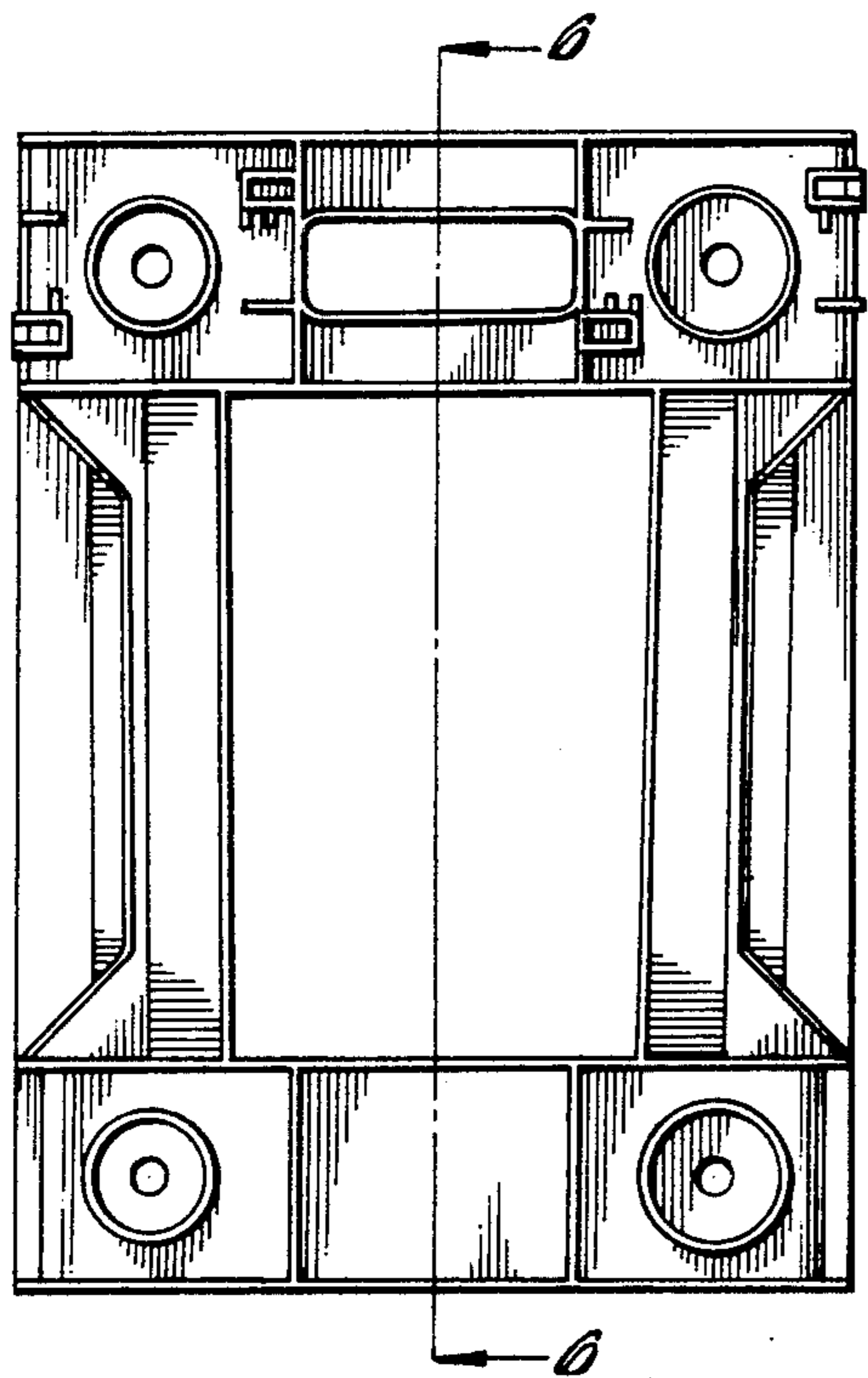


FIG. 2.

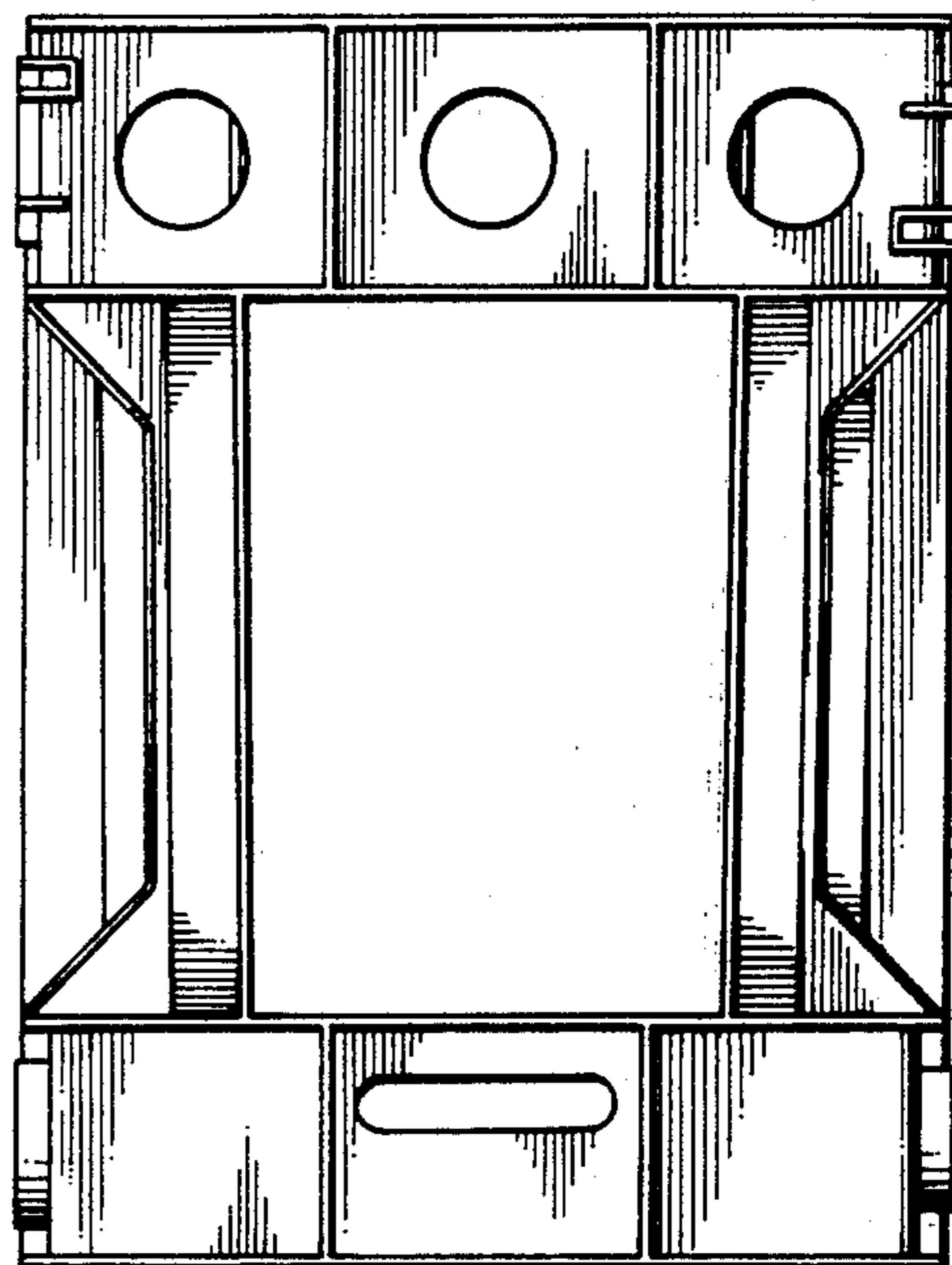


FIG. 3.

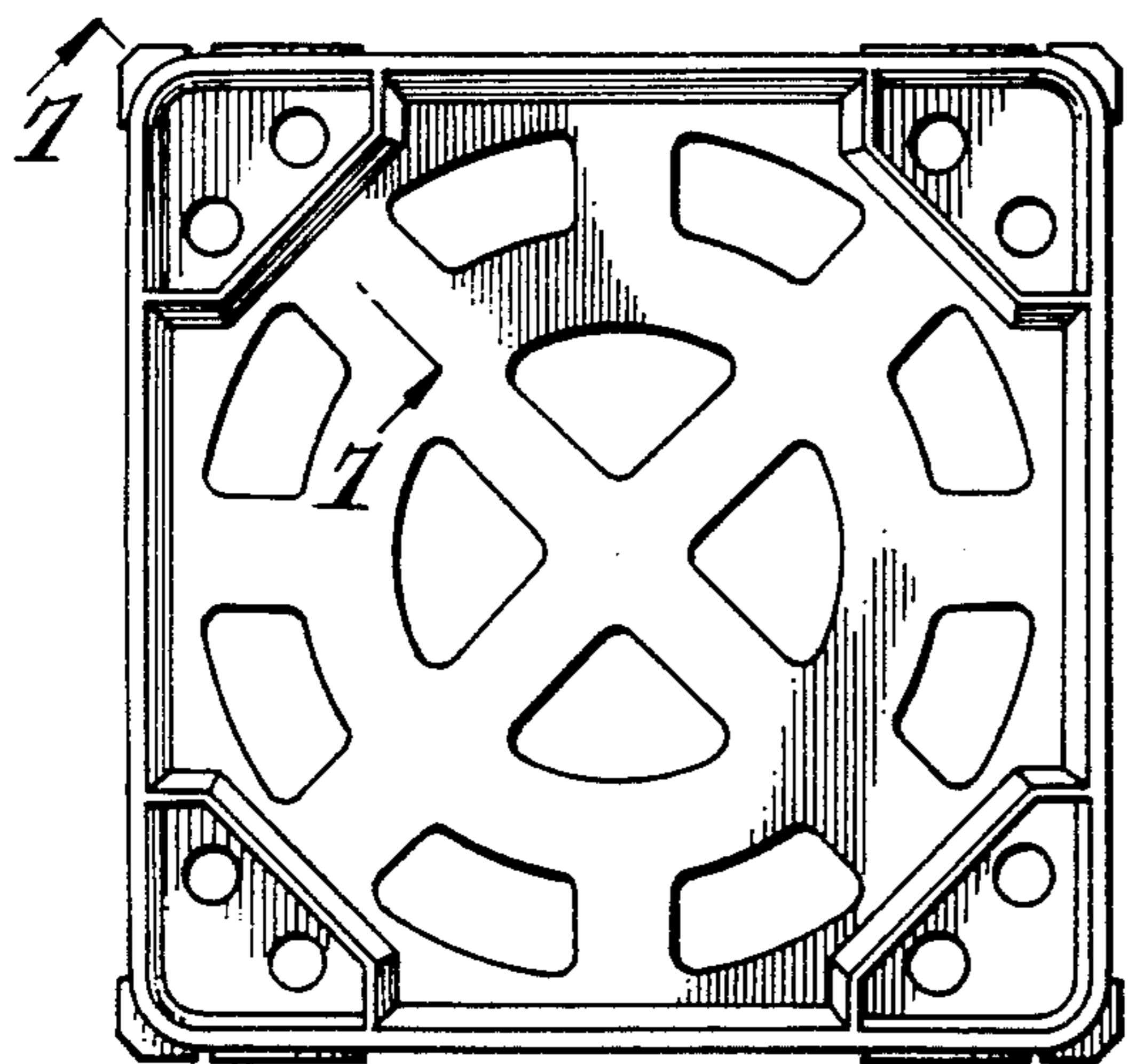


FIG. 4.

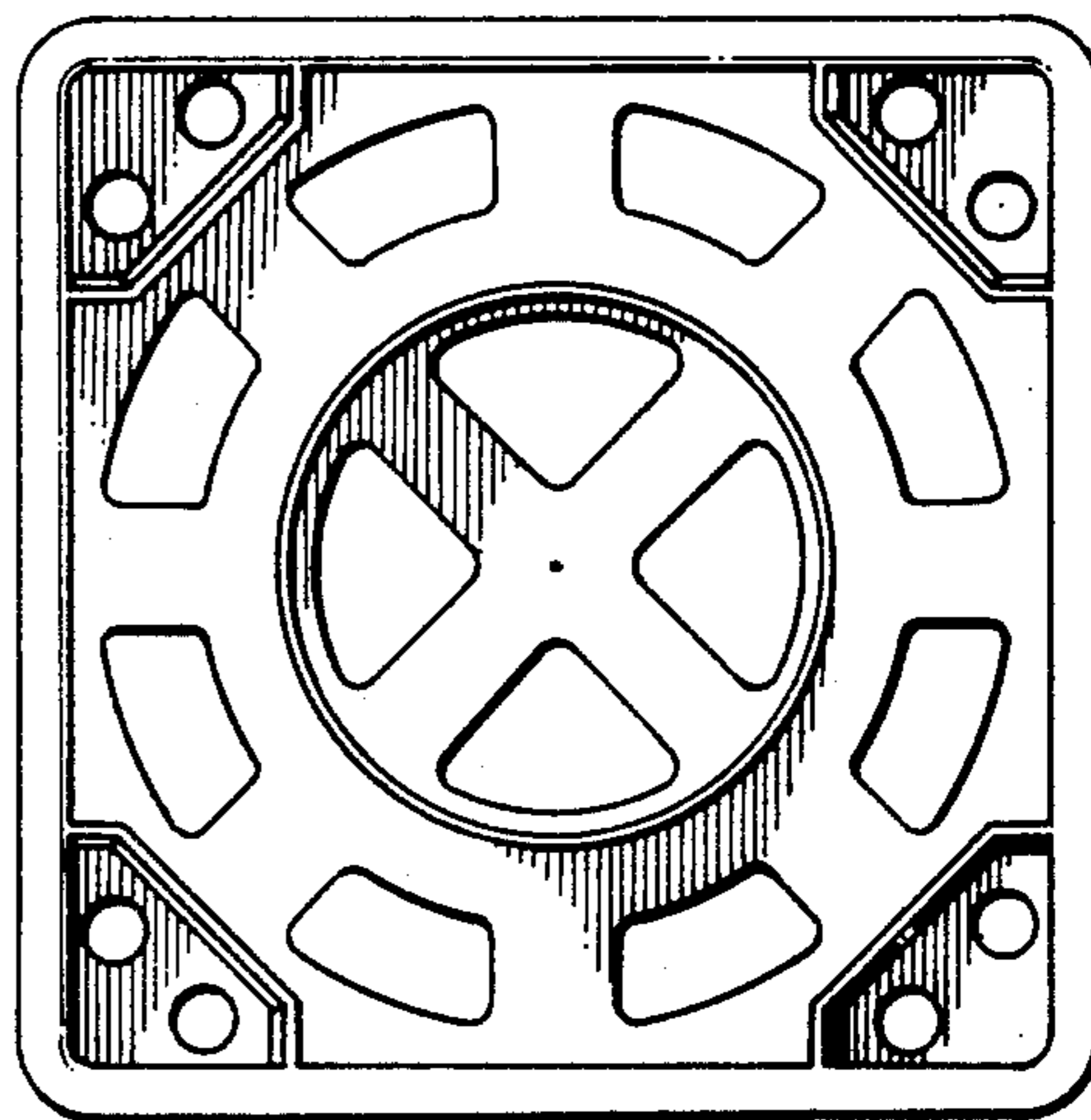


FIG. 5.

UNITED STATES PATENT AND TRADEMARK OFFICE
CERTIFICATE OF CORRECTION Page 1 of 3

PATENT NO. : Des. No. 286,219
DATED : October 14, 1986
INVENTOR(S) : Carl E. Frahm

It is certified that error appears in the above-identified patent and that said Letters Patent is hereby corrected as shown below:

On the title page, Item [**] Term: "Years" should read
-- 14 Years --. The title page and Figure 1, should appear
as shown on the attached sheets.

Signed and Sealed this
Twenty-sixth Day of May, 1987

Attest:

Attesting Officer

DONALD J. QUIGG

Commissioner of Patents and Trademarks

United States Patent [19]
Frahm

[11] **Patent Number:** Des. 286,219
[45] **Date of Patent:** Oct. 14, 1986

[54] **BOTTLE CASE**

[76] **Inventor:** Carl E. Frahm, 1428 Oak Meadow Rd., Arcadia, Calif. 91006

[**] **Term:** Years

[21] **Appl. No.:** 557,849

[22] **Filed:** Dec. 5, 1983

[52] **U.S. CL.** D34/43

[58] **Field of Search** 220/DIG. 2; D34/40, D34/43, 45; 215/12 A; 206/503, 504, 505, 506, 507, 513, 512, 203; 217/36, 127, 19, 52, 53, 54

[56] **References Cited**

U.S. PATENT DOCUMENTS

D. 263,375	3/1982	Thurman	D34/43
D. 266,709	10/1982	Box	D34/40
D. 274,572	7/1984	Miller	D34/43
4,326,629	4/1982	Tate	206/203

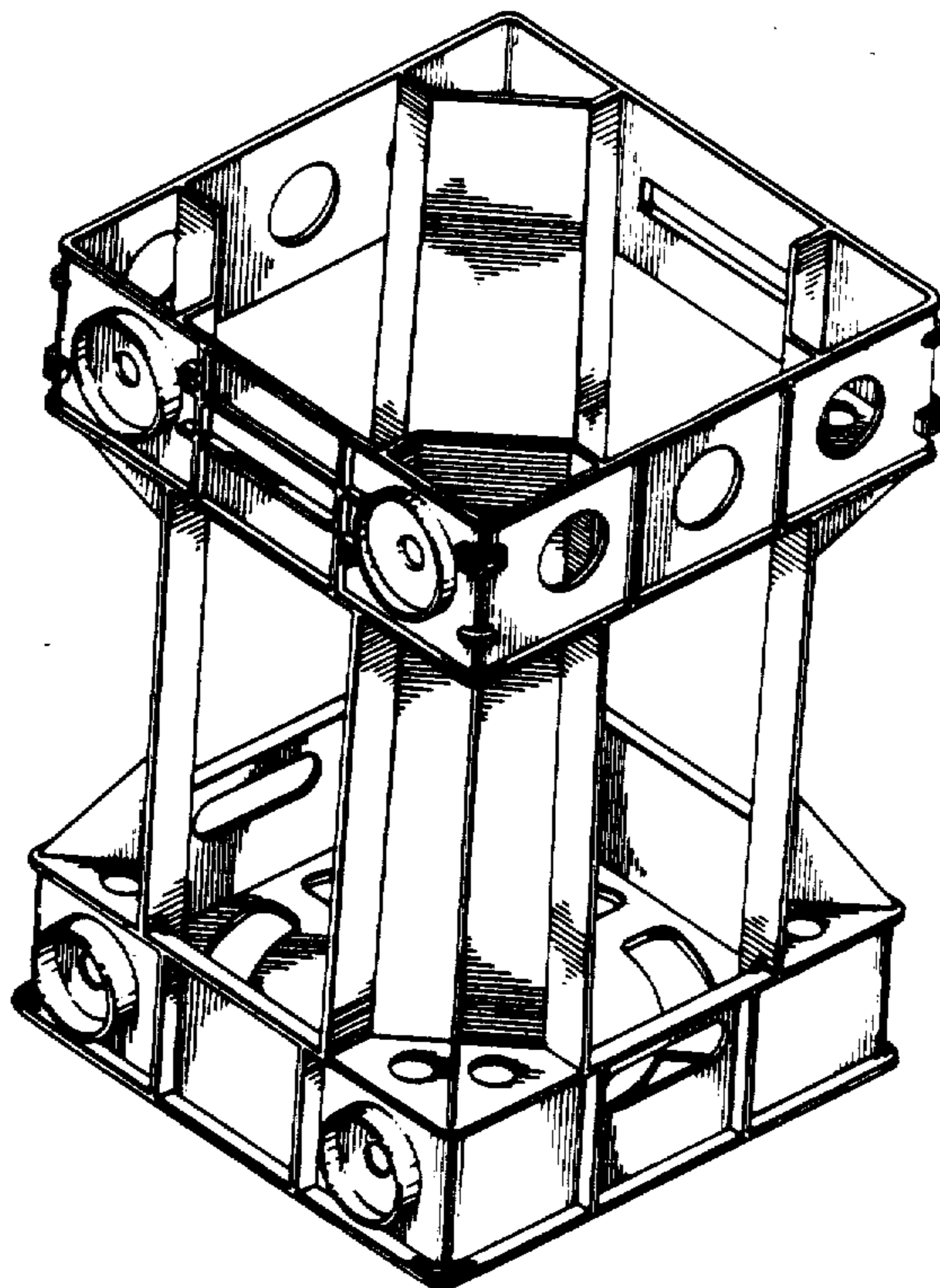
Primary Examiner—Robert C. Spangler
Attorney, Agent, or Firm—Lyon & Lyon

[57] **CLAIM**

The ornamental design for a bottle case, as shown and described.

DESCRIPTION

FIG. 1 is a perspective view of a bottle case showing my new design;
FIG. 2 is a side elevational view;
FIG. 3 is a side elevational view of another side adjacent to that shown in FIG. 2;
FIG. 4 is a top plan view;
FIG. 5 is a bottom plan view;
FIG. 6 is a sectional view taken substantially along line 6—6 of FIG. 2; and
FIG. 7 is a fragmentary sectional view taken substantially along line 7—7 of FIG. 4.



Des. No. 286,219

October 14, 1986

Carl E. Frahm

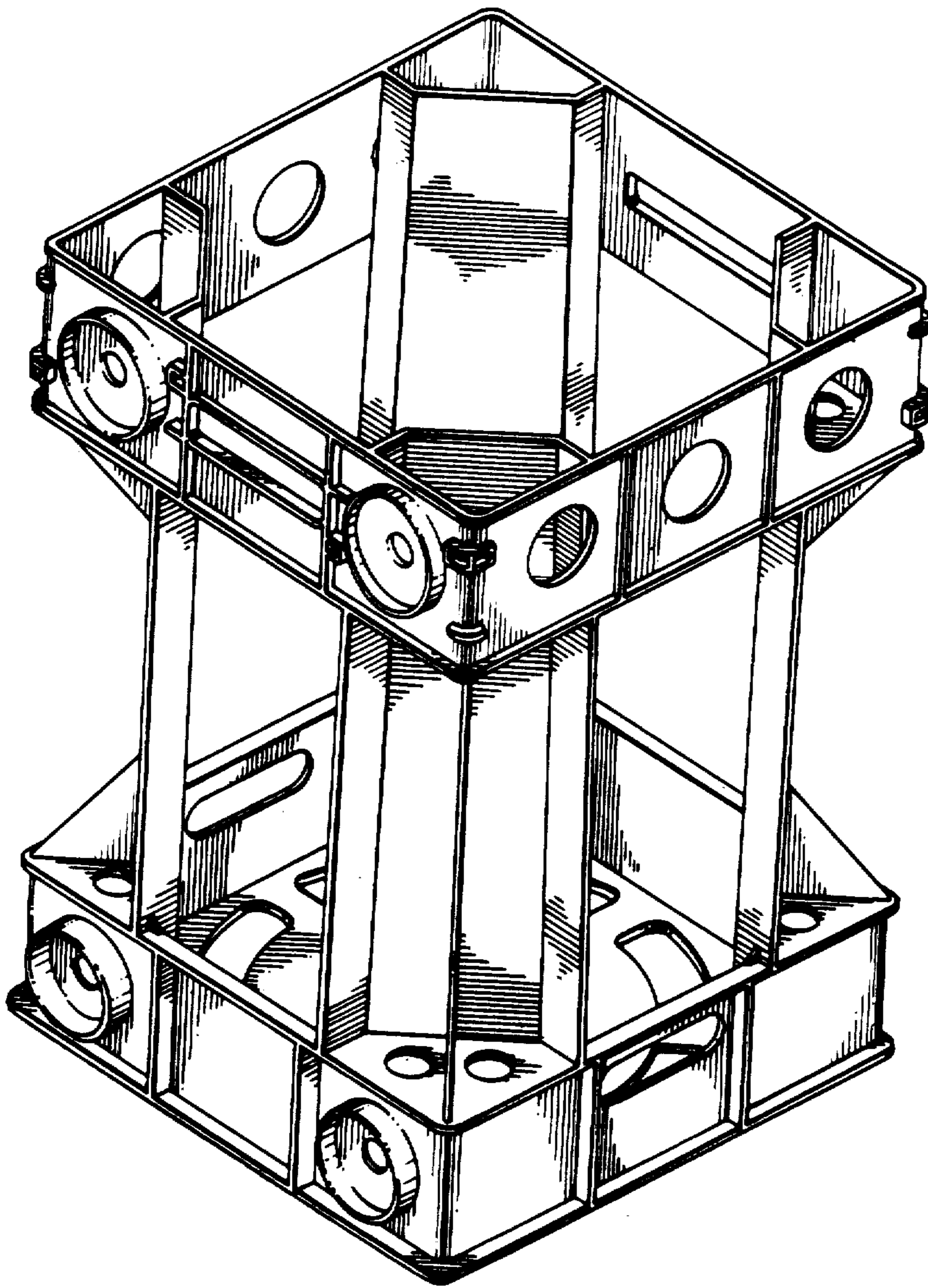


FIG. 1.