

[54] STEAM IRON

[75] Inventor: Robert Pataki, Clayton, Australia

[73] Assignee: Chiaphua Industries, Ltd., Kowloon, Hong Kong

[*] Notice: The portion of the term of this patent subsequent to Oct. 14, 2000 has been disclaimed.

[**] Term: 14 Years

[21] Appl. No.: 607,489

[22] Filed: May 7, 1984

[30] Foreign Application Priority Data

Jan. 20, 1984 [GB] United Kingdom 1017484

[52] U.S. Cl. D32/70

[58] Field of Search D32/68-73;
38/69, 74, 75, 77.1-77.9, 88, 94, 96, 142;
219/245-259, 271-276

[56] References Cited

U.S. PATENT DOCUMENTS

D. 214,753	7/1969	Schellens	D32/70
D. 240,997	8/1976	Julkenbeck	D32/70
D. 267,673	1/1983	Ernest et al.	D32/70

Primary Examiner—Catherine E. Kemper
Attorney, Agent, or Firm—Pollock, Vande Sande & Priddy

[57] CLAIM

The ornamental design for a steam iron, as shown and described.

DESCRIPTION

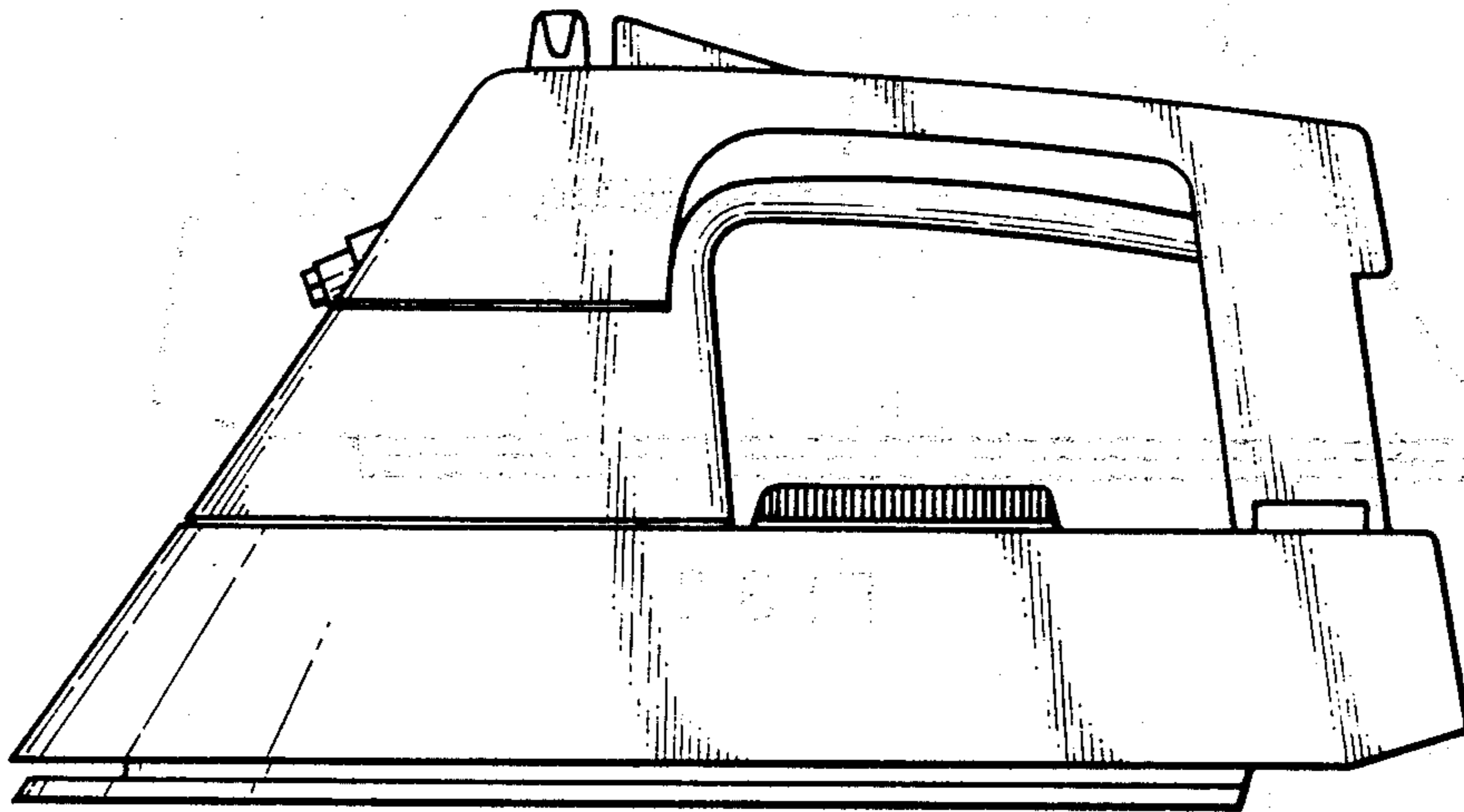
FIG. 1 is a bottom plan view of a steam iron, showing my new design;

FIG. 2 is a side elevational view thereof;

FIG. 3 is a top plan view thereof;

FIG. 4 is a left end elevational view thereof;

FIG. 5 is a right end elevational view thereof.



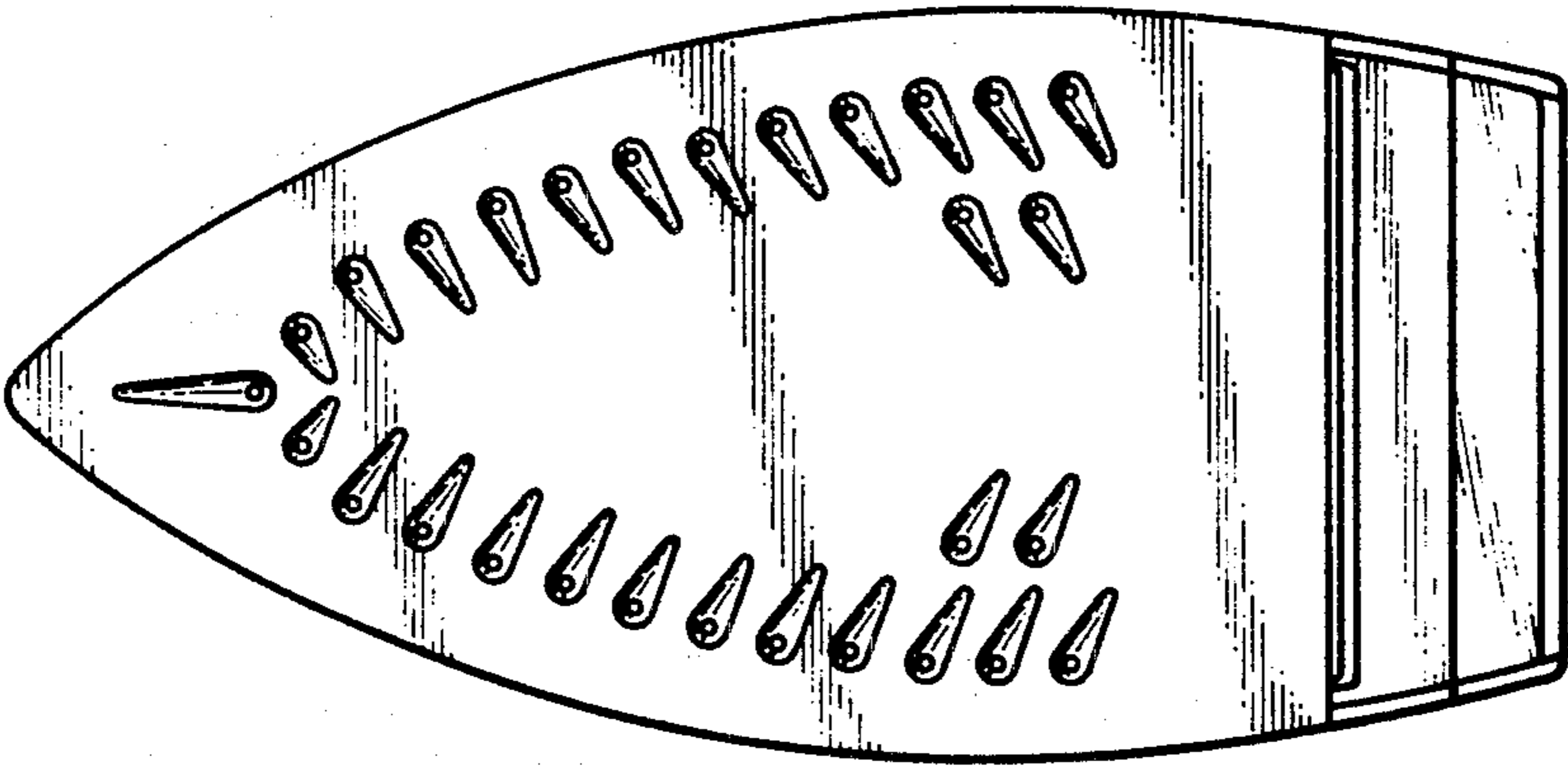


FIG. 1.

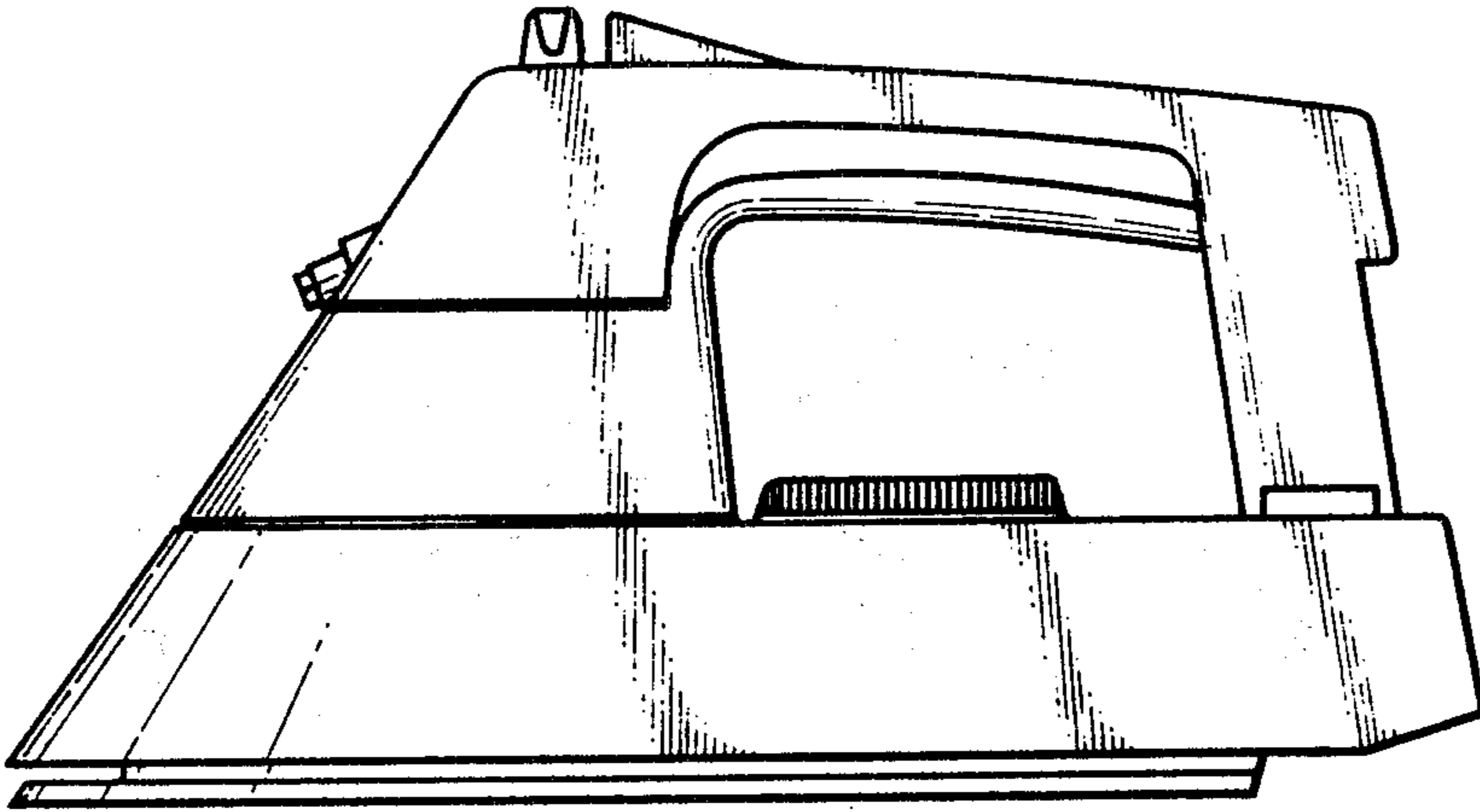


FIG. 2.

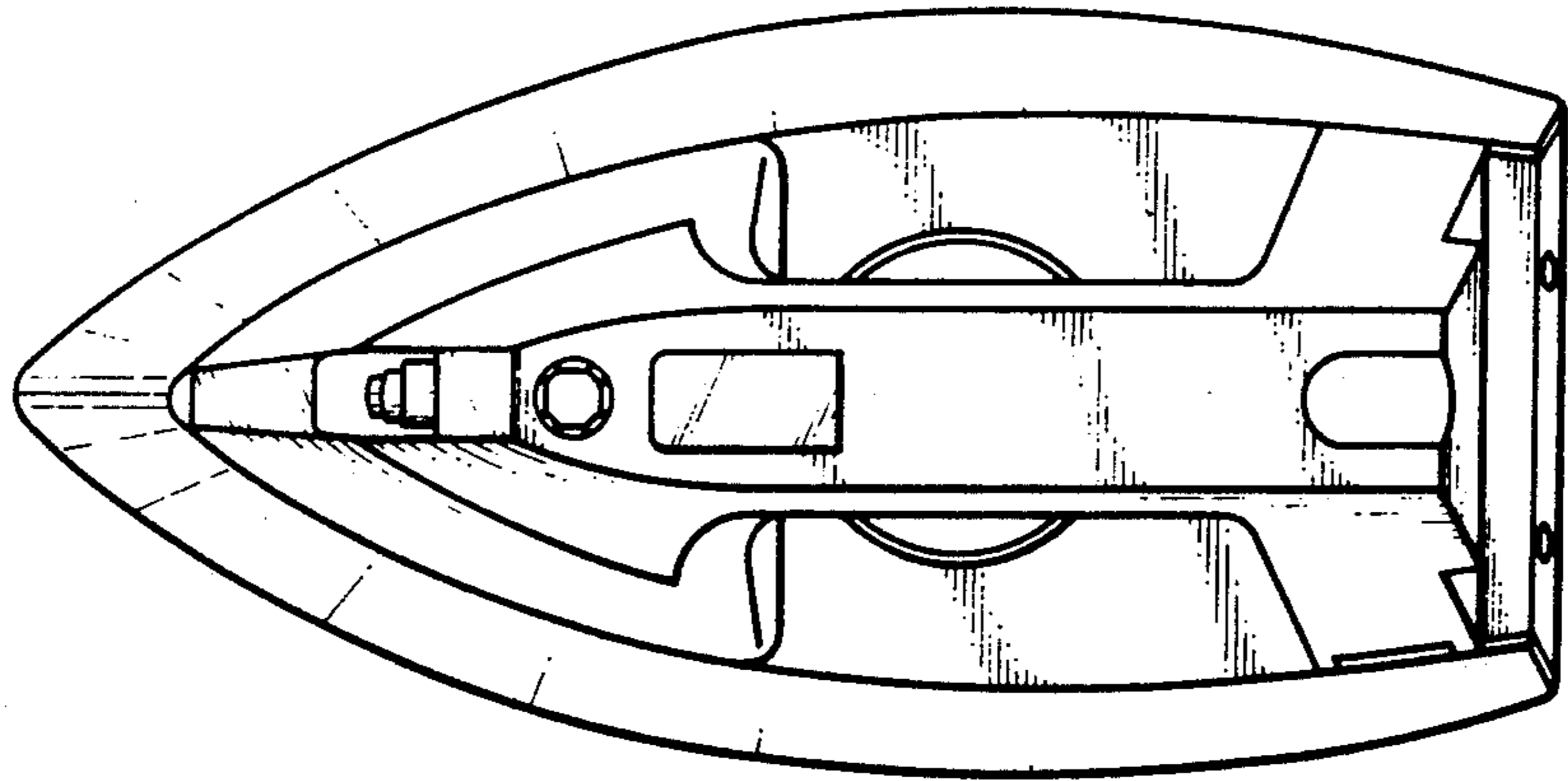


FIG. 3.

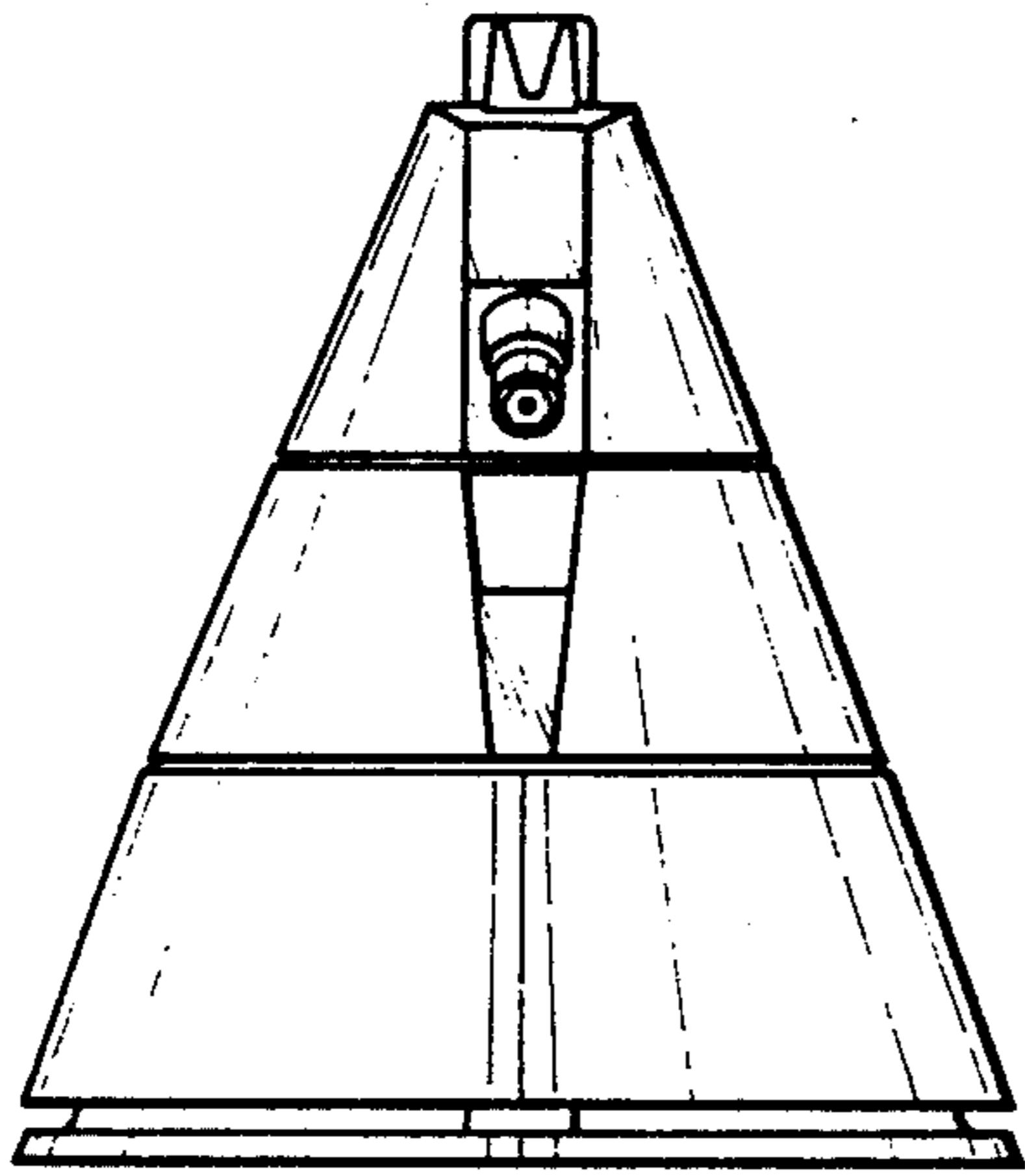


FIG. 4.

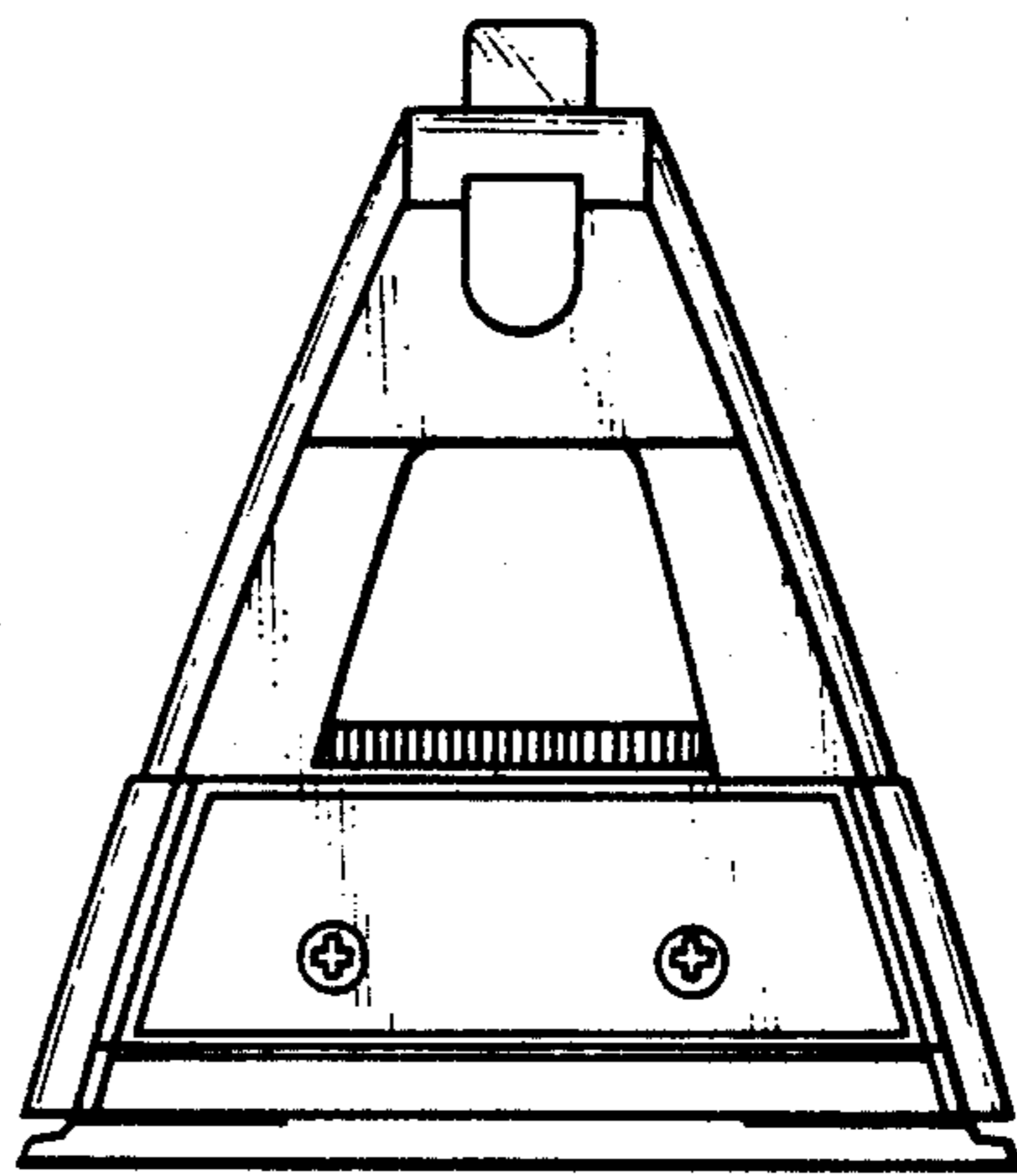


FIG. 5.