

[54] HAIR-DRYER

[75] Inventor: Murray I. C. Camens, Groningen, Netherlands

[73] Assignee: U.S. Philips Corporation, New York, N.Y.

[\*\*] Term: 14 Years

[21] Appl. No.: 626,955

[22] Filed: Jul. 2, 1984

[30] Foreign Application Priority Data

Jan. 25, 1984 [GB] United Kingdom ..... 1017516  
[52] U.S. Cl. .... D28/13  
[58] Field of Search ..... D28/9, 10, 12, 13, 15-18, D28/24, 25, 35; 219/222; 34/96-100; 132/9

[56] References Cited

U.S. PATENT DOCUMENTS

D. 265,767 8/1982 Stewart et al. .... D28/13  
D. 274,153 6/1984 Nagelkerke ..... D28/13  
D. 278,085 3/1985 Rittenhouse et al. .... D28/13

OTHER PUBLICATIONS

Design, 8/1980, p. 35-Braun PGC 1000 Dryer.

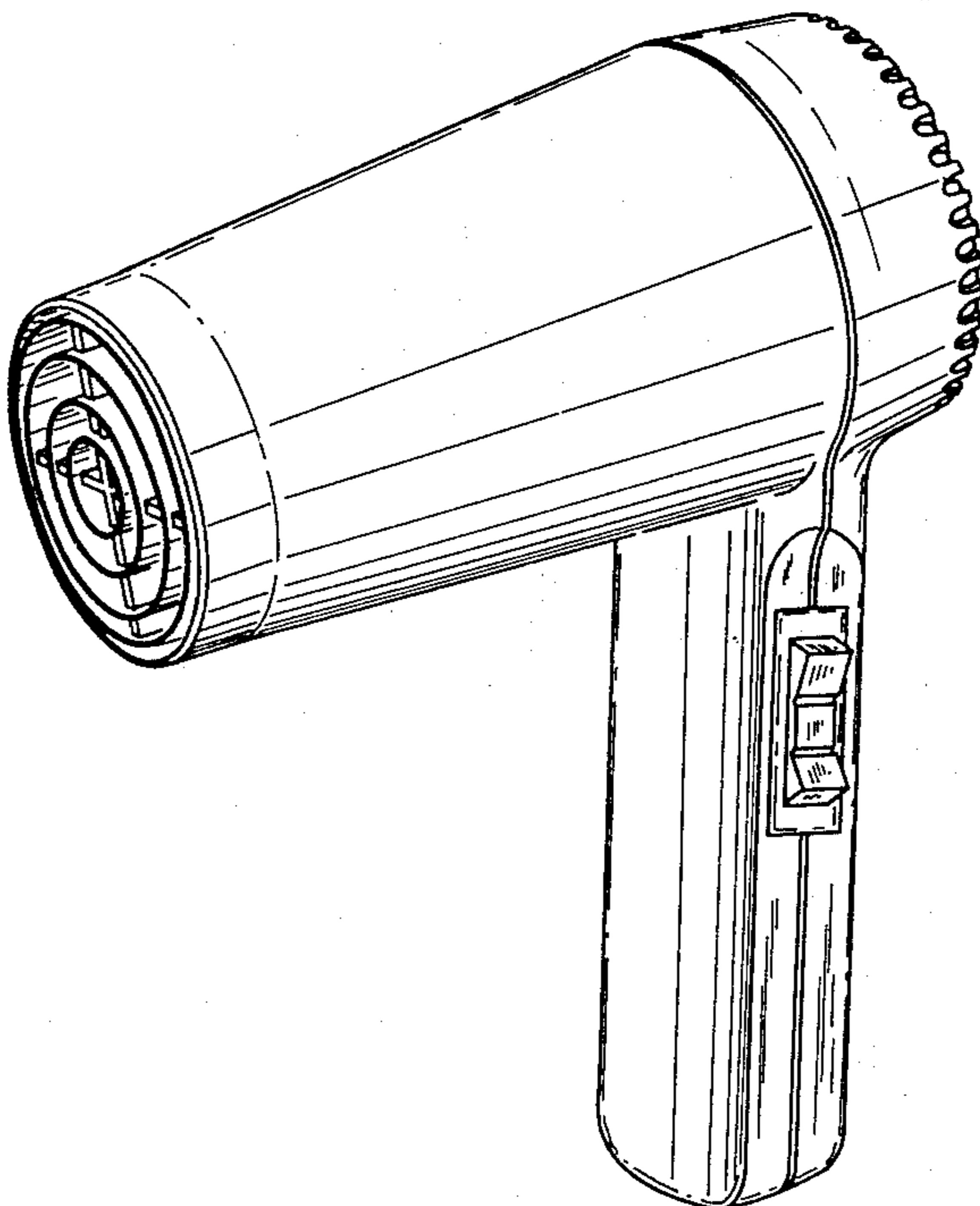
Primary Examiner—Louis S. Zarfes  
Attorney, Agent, or Firm—Rolf E. Schneider

[57] CLAIM

The ornamental design for a hair-dryer, as shown.

DESCRIPTION

FIG. 1 is a front, top and right side perspective view of a hair dryer showing my new design;  
FIG. 2 is a right side elevational view thereof;  
FIG. 3 is a left side elevational view thereof;  
FIG. 4 is a front elevational view thereof;  
FIG. 5 is a rear elevational view thereof;  
FIG. 6 is a top plan view thereof; and  
FIG. 7 is a bottom plan view thereof.



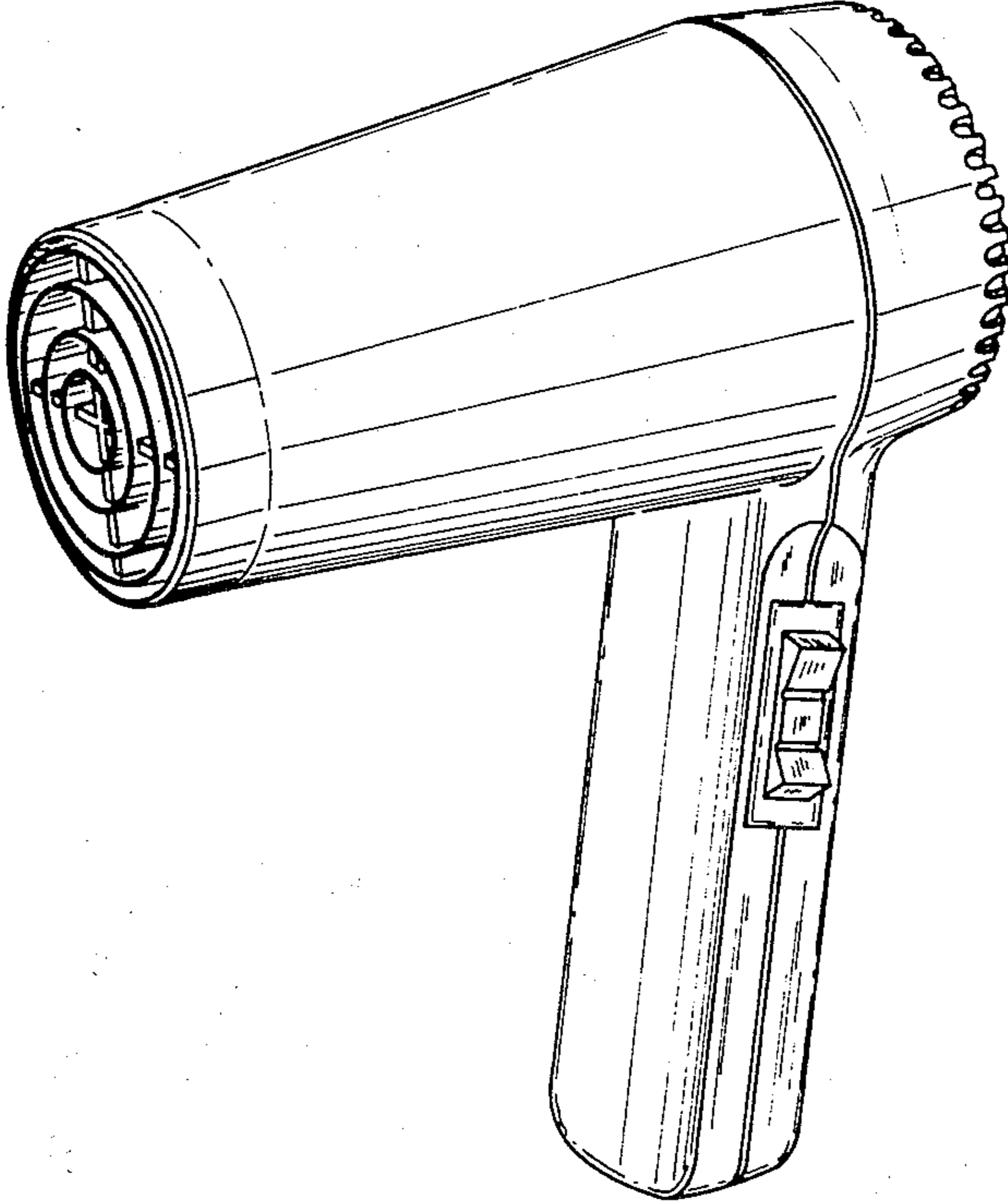


FIG. 1

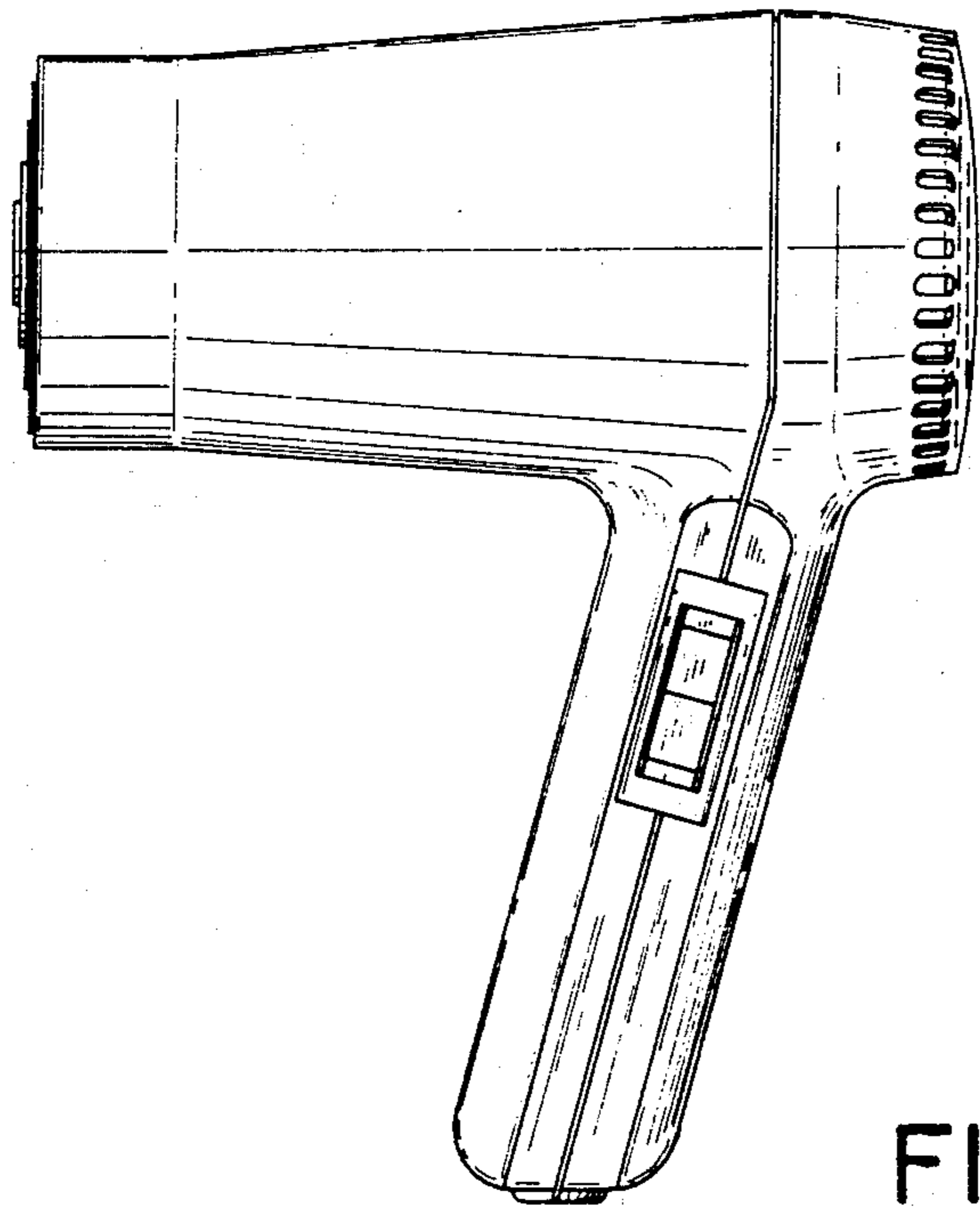


FIG. 2

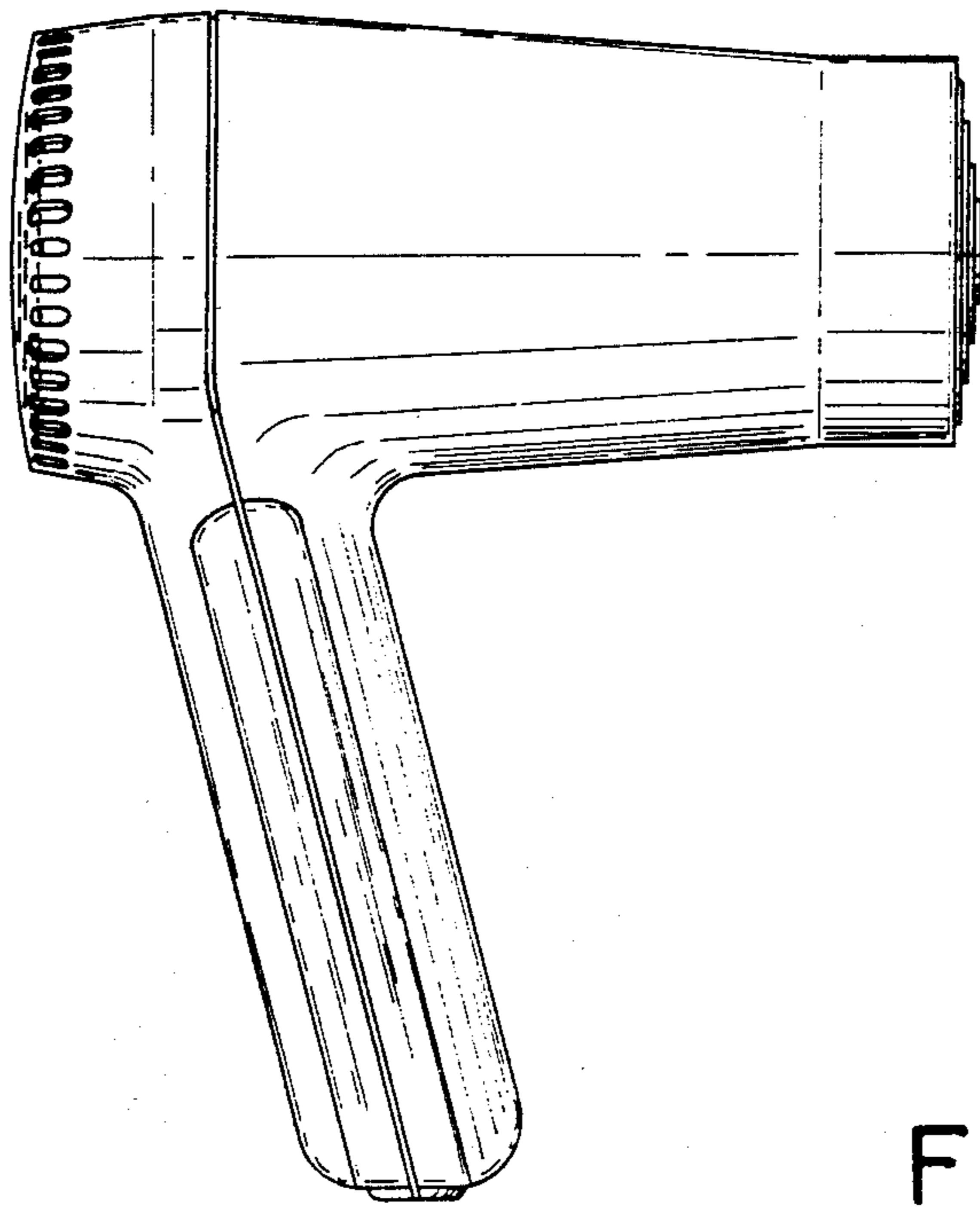


FIG. 3

FIG. 4

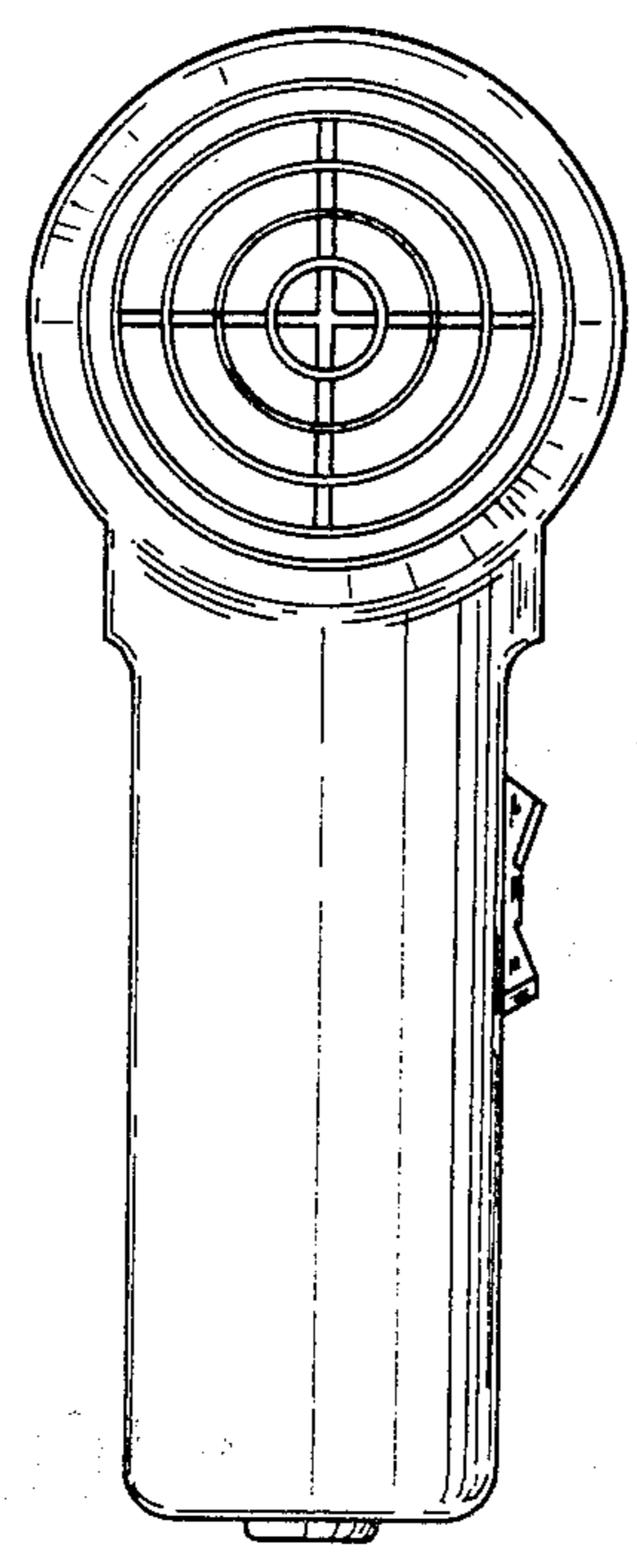


FIG. 5

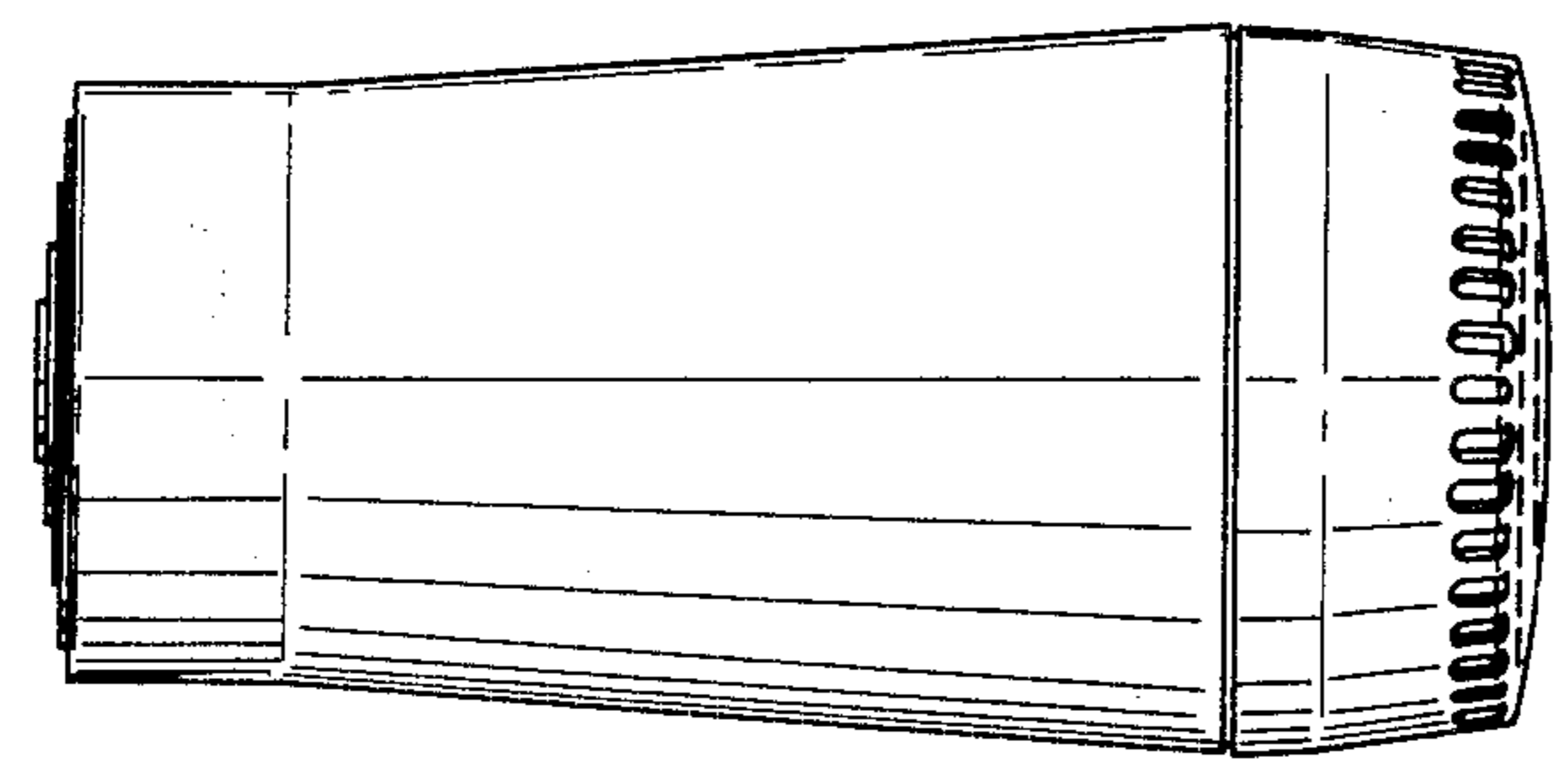
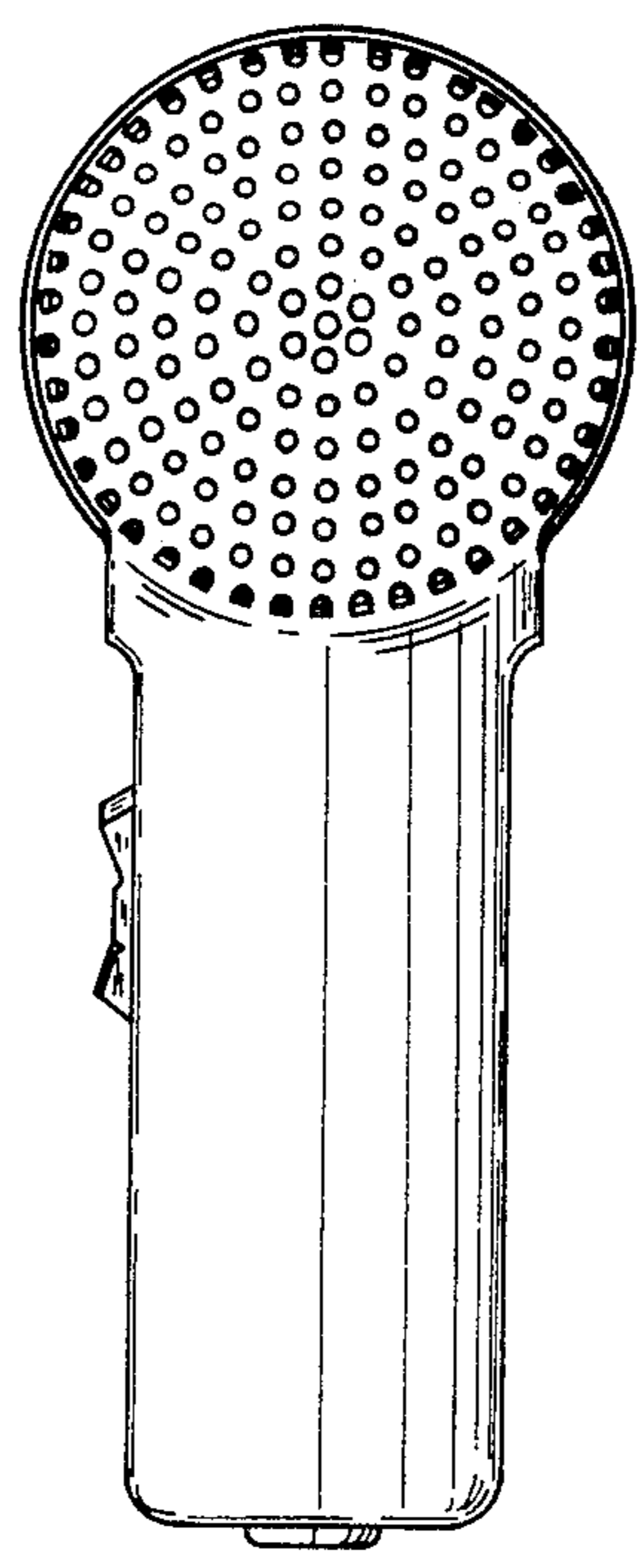


FIG. 6

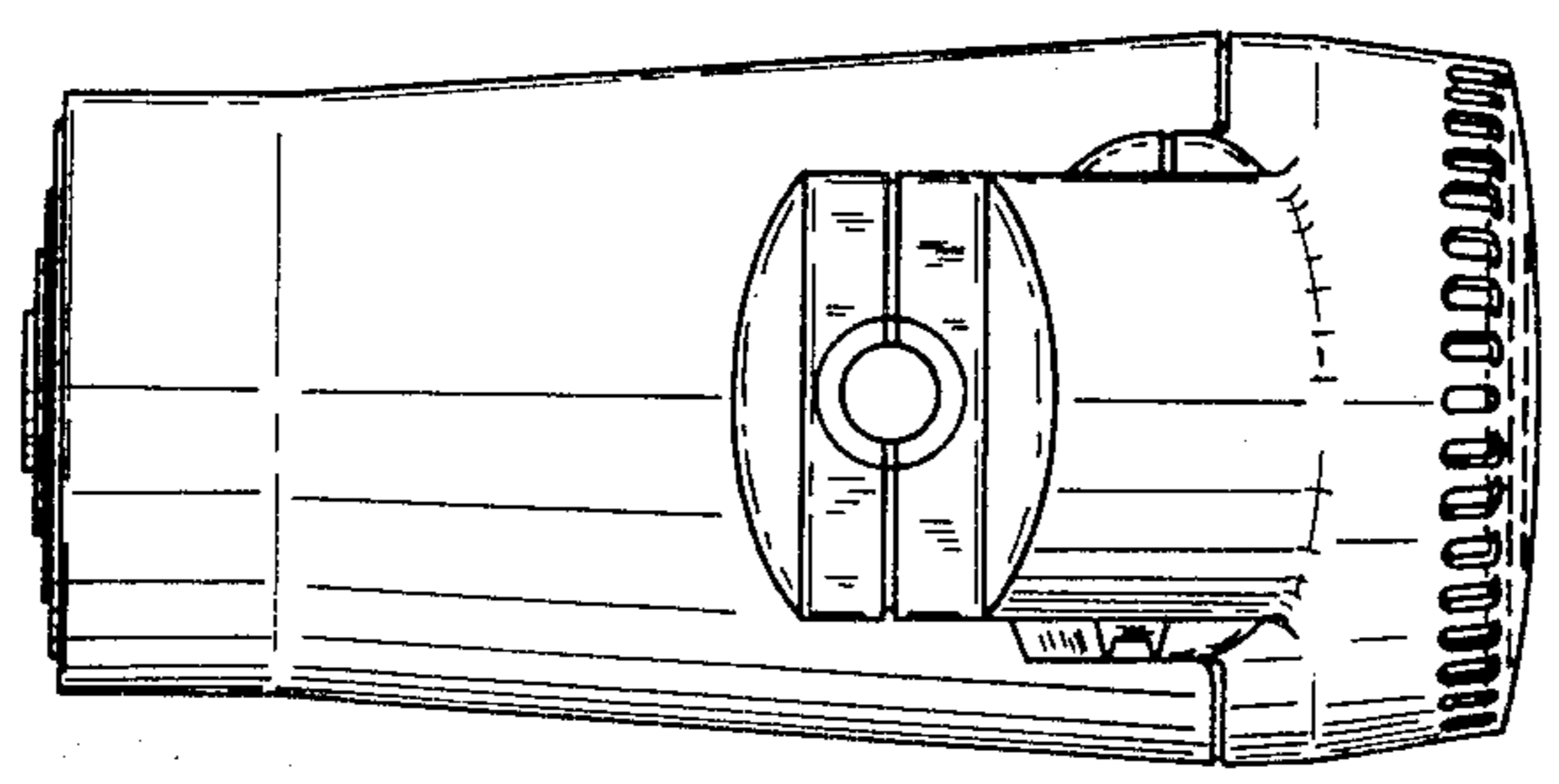


FIG. 7