

[54] **LIGHTING FIXTURE**

[75] **Inventors: Michael T. Jankowski, Leek; Hans T. Meelen, Geldrop, both of Netherlands**

[73] **Assignee: U.S. Philips Corporation, New York, N.Y.**

[**] **Term: 14 Years**

[21] **Appl. No.: 609,245**

[22] **Filed: May 11, 1984**

[30] **Foreign Application Priority Data**

Nov. 17, 1983 [XB] Benelux 58433-03
[52] **U.S. Cl.** **D26/65**
[58] **Field of Search** **D26/24, 60-65;**
362/269, 275, 277, 285, 297, 311, 362, 404, 418,
427

[56]

References Cited

U.S. PATENT DOCUMENTS

D. 208,877 10/1967 MacLeod, Jr. D26/63
3,725,695 4/1973 Eversberg et al. D26/63 X

OTHER PUBLICATIONS

Abitare 3-1983, p. 76 (ADS), Spotlight (center).
Schöner Wohnen, 4-1979, p. sw31, Spotlight (left).

Primary Examiner—Susan J. Lucas
Attorney, Agent, or Firm—Rolf E. Schneider

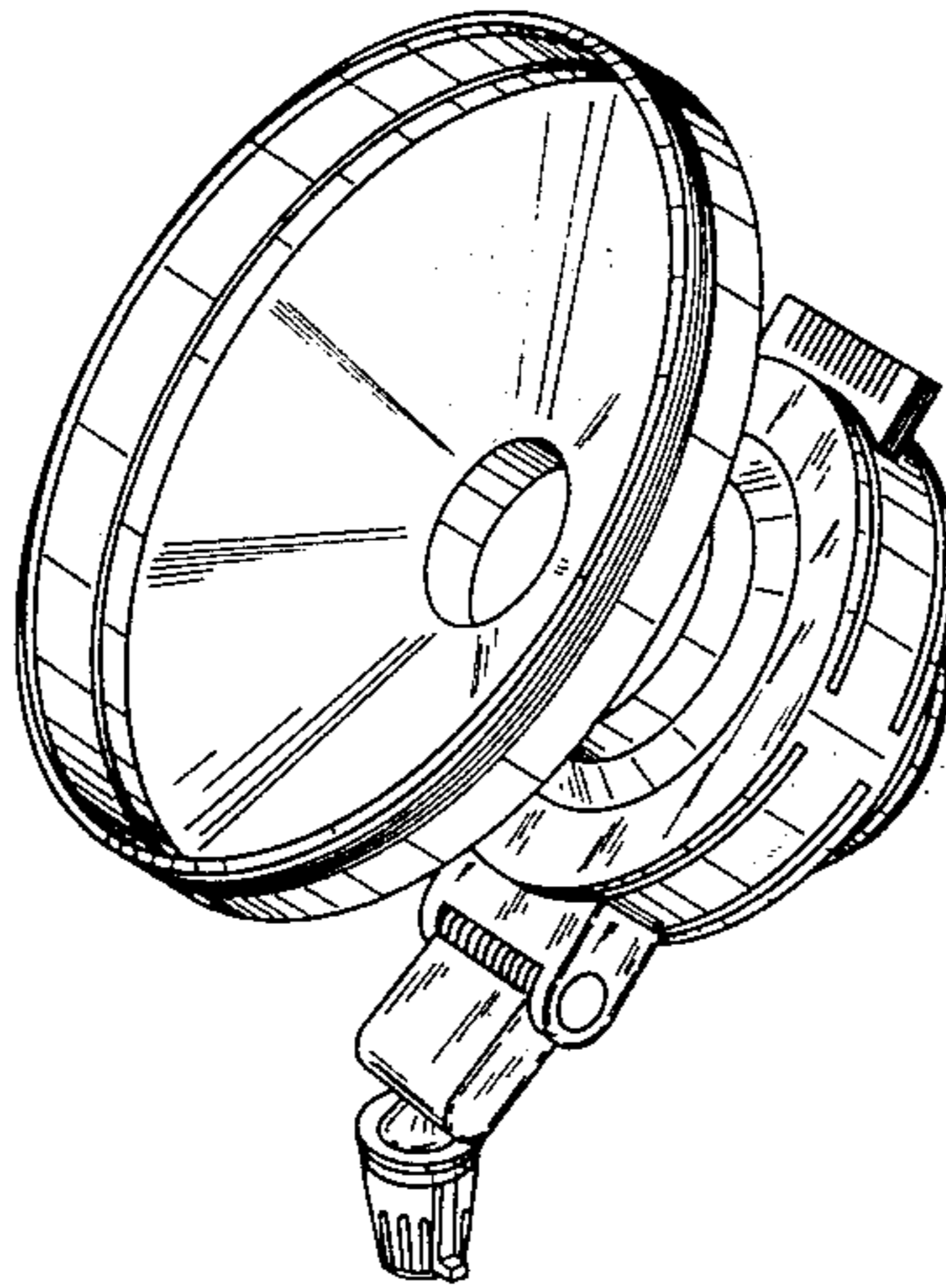
[57]

CLAIM

The ornamental design for a lighting fixture, as shown.

DESCRIPTION

FIG. 1 is a front, top and right side perspective view of a lighting fixture showing our new design;
FIG. 2 is a right side elevational view thereof;
FIG. 3 is a left side elevational view thereof;
FIG. 4 is a front elevational view thereof;
FIG. 5 is a rear elevational view thereof;
FIG. 6 is a top plan view thereof; and
FIG. 7 is a bottom plan view thereof.



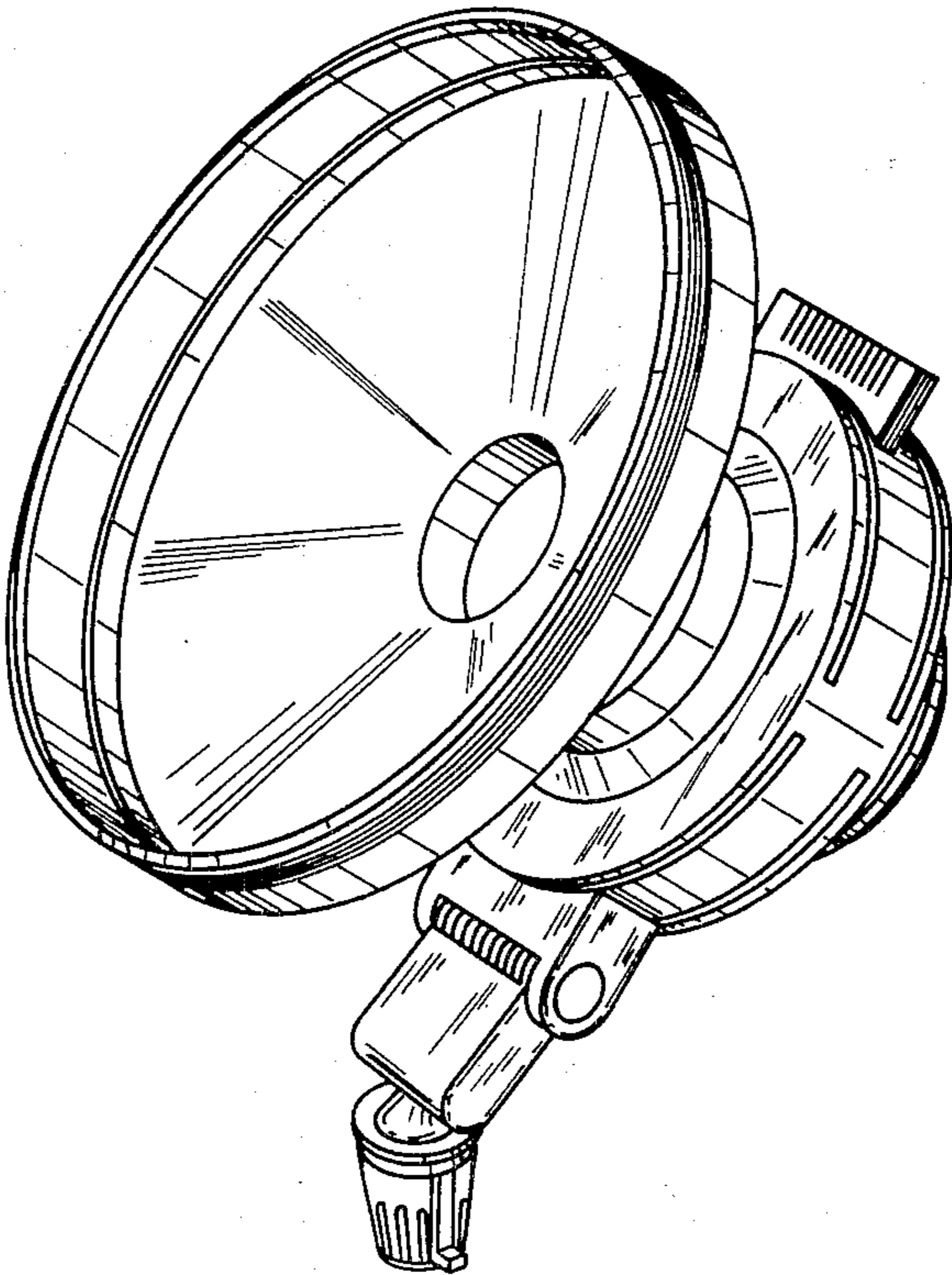


FIG. 1

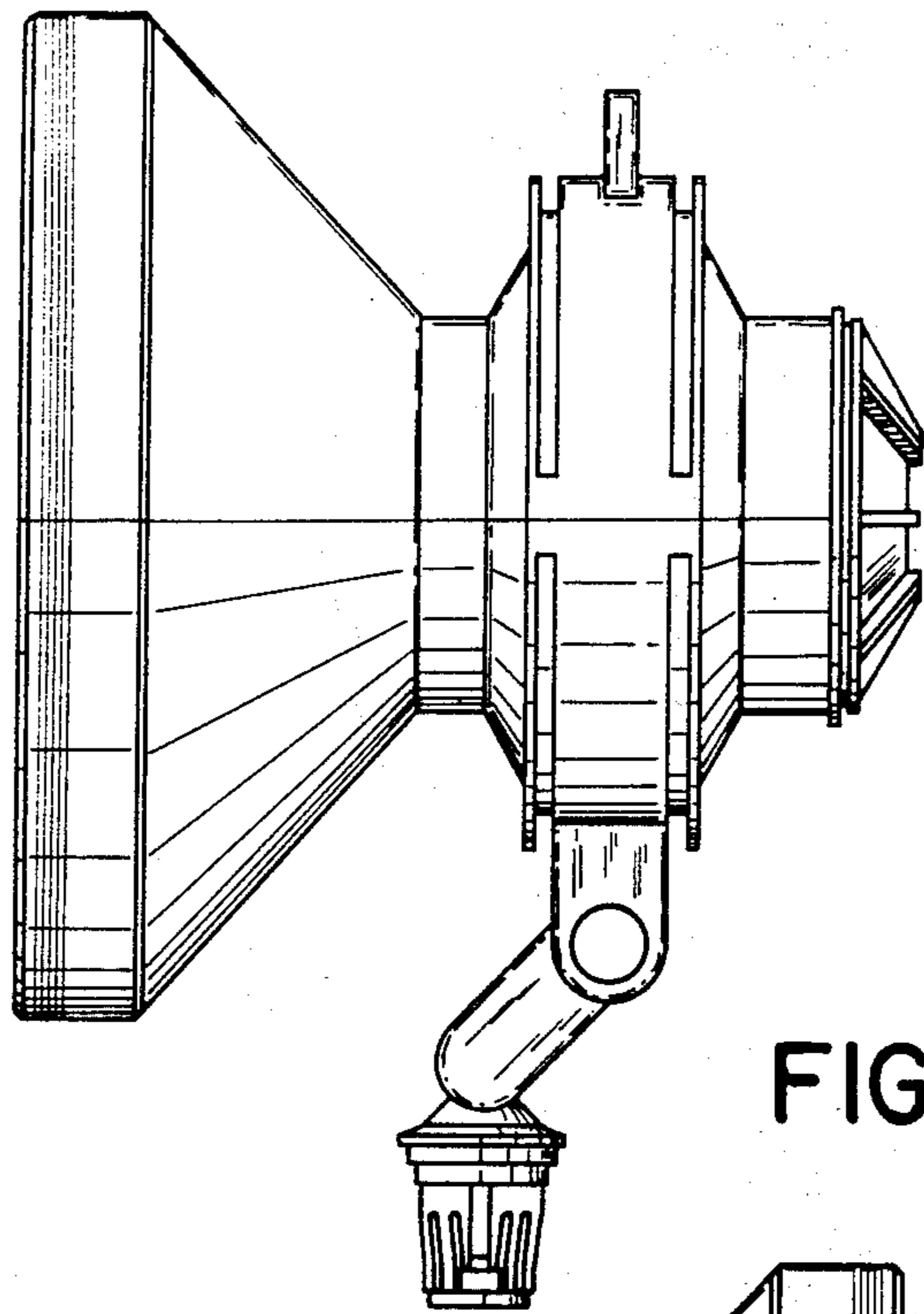


FIG. 2

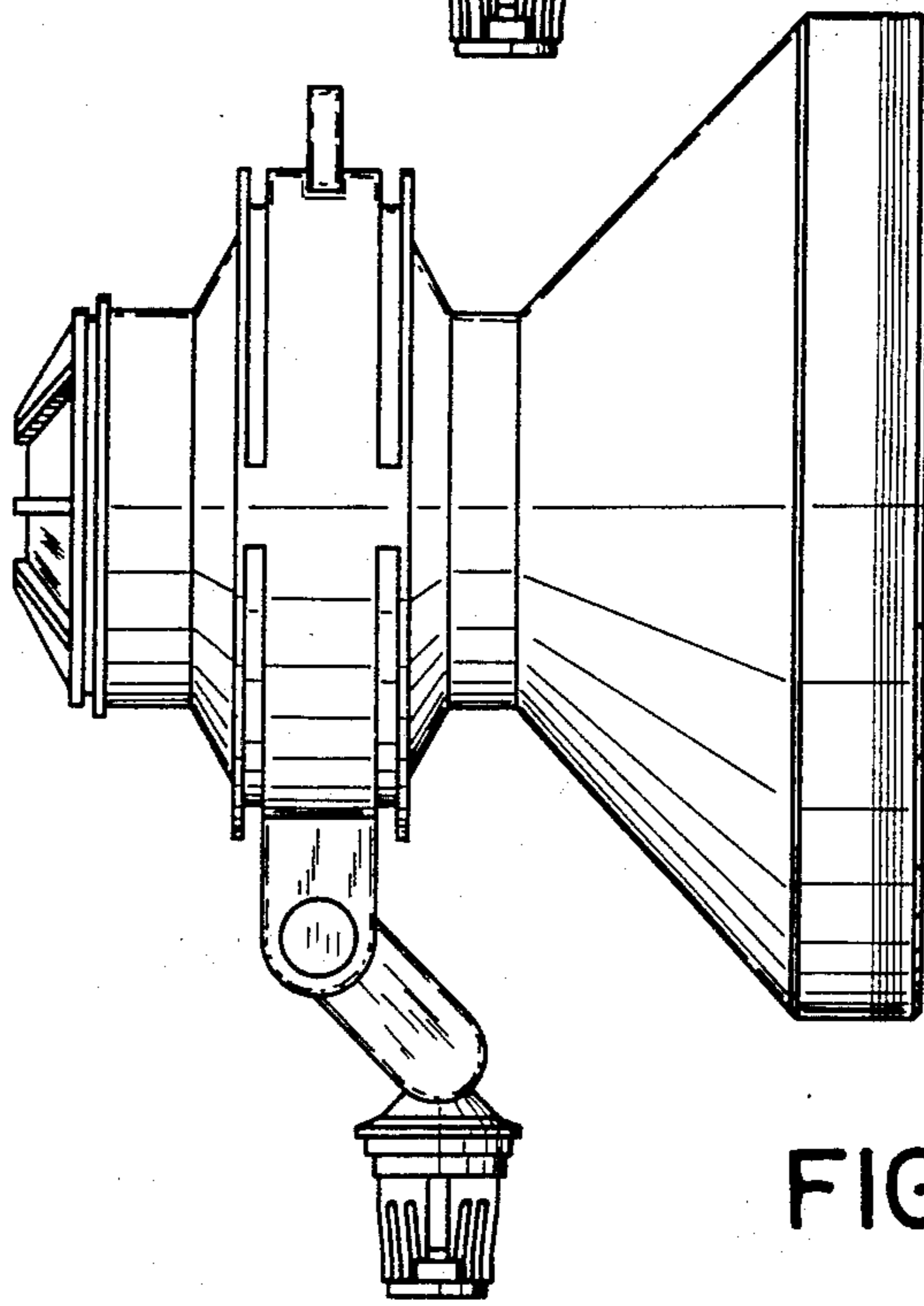


FIG. 3

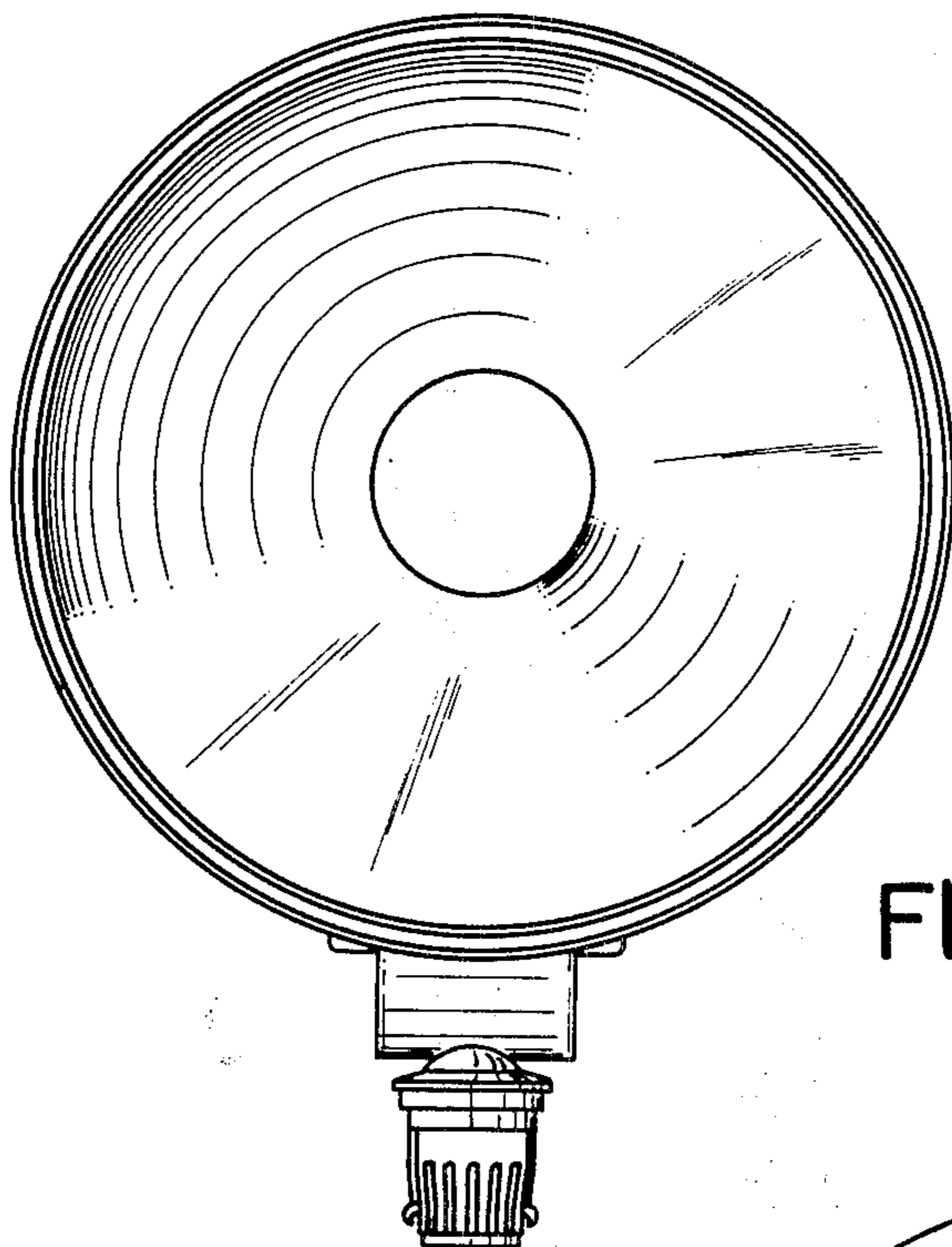


FIG. 4

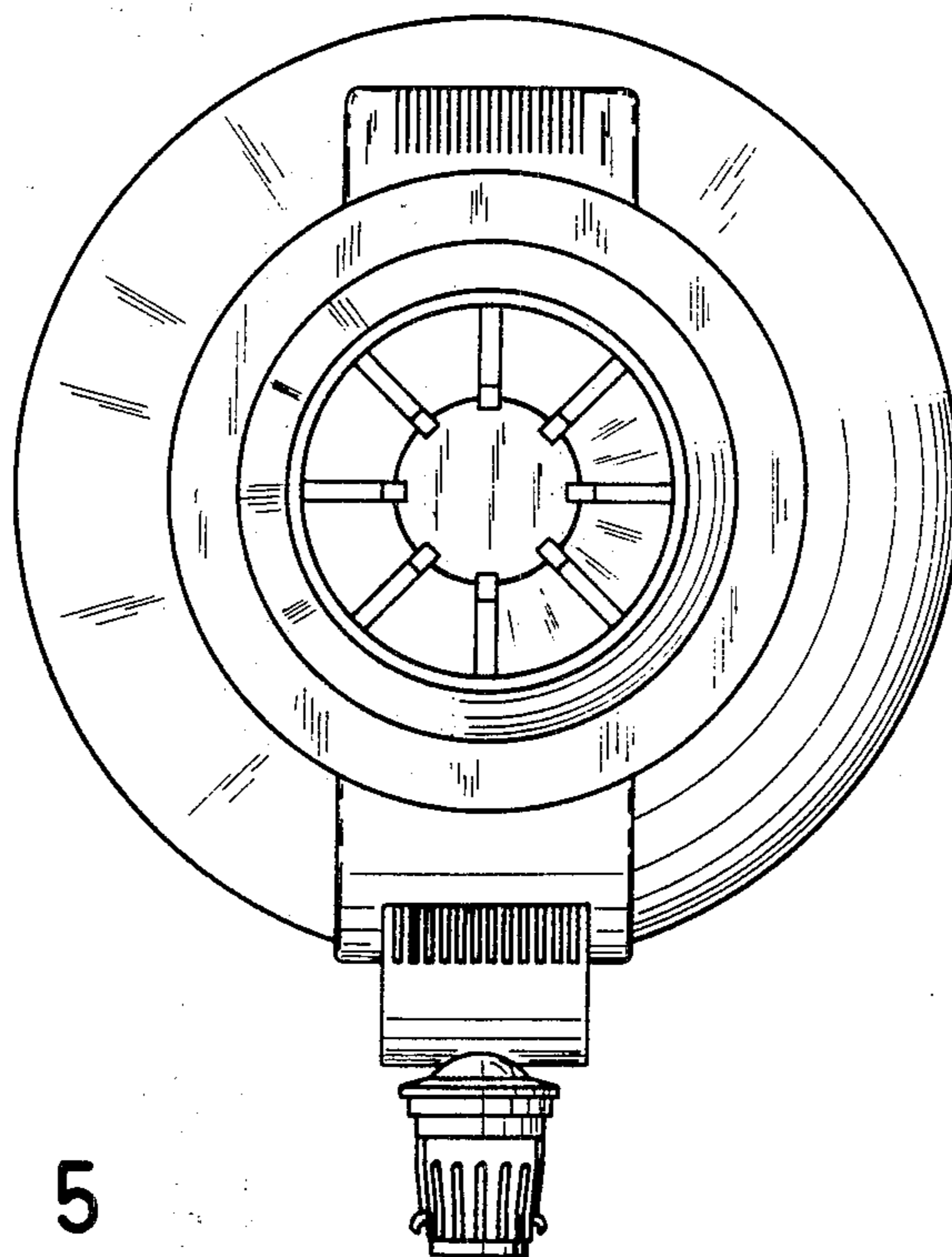


FIG. 5

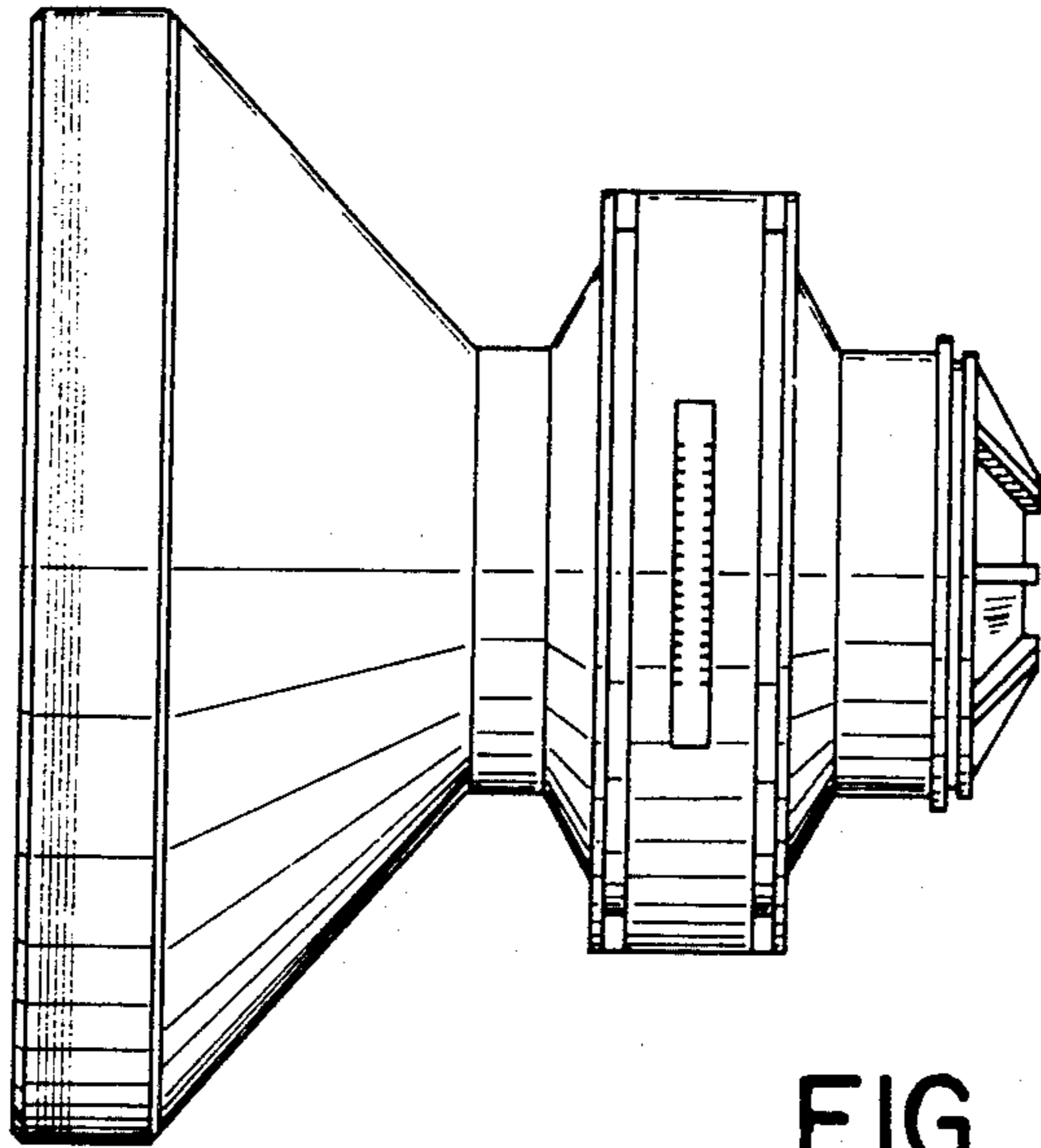


FIG. 6

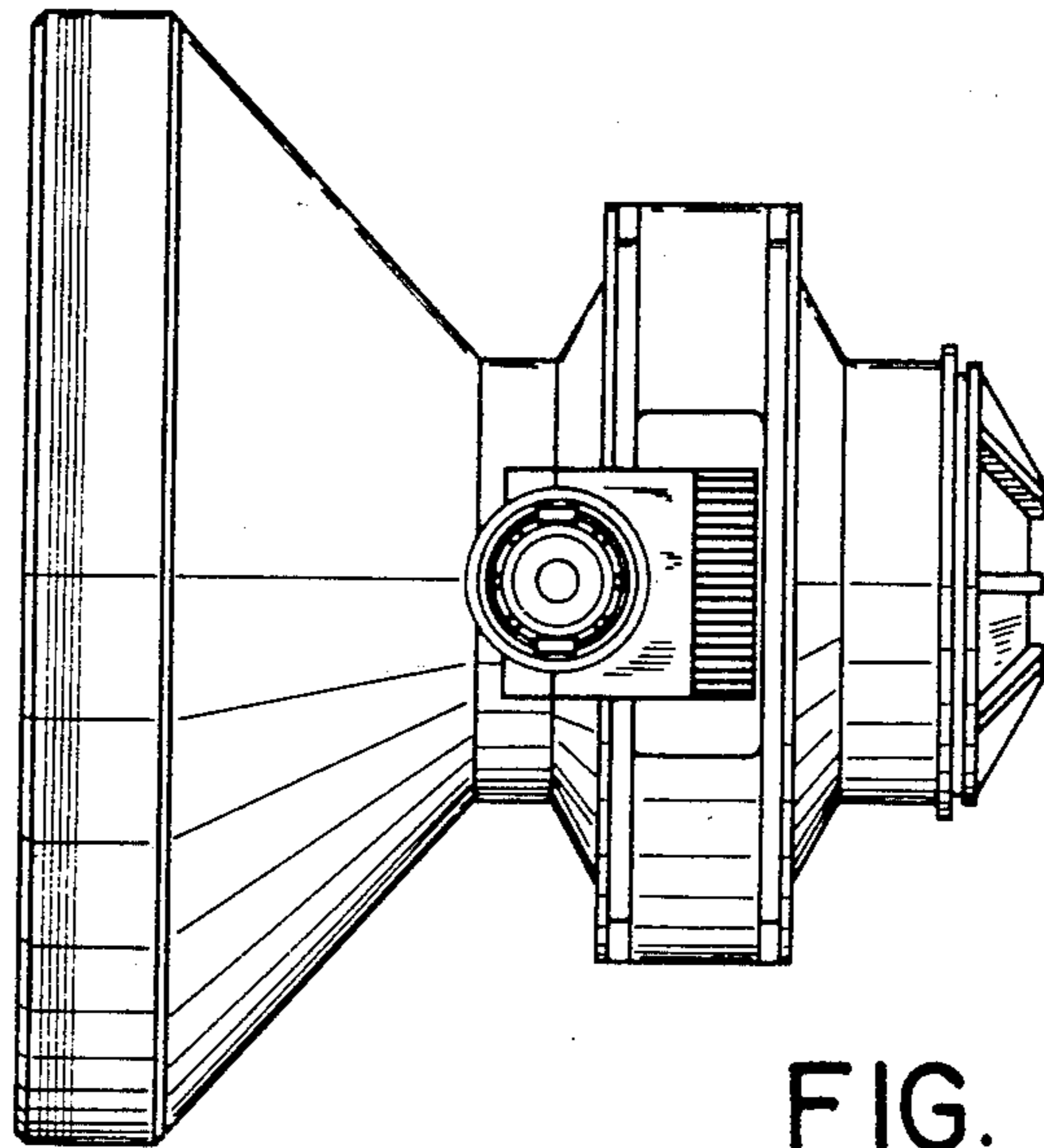


FIG. 7