

[54] COMBINED HEAD LAMP AND MOUNTING BRACKET FOR FIREMAN'S HELMET

[75] Inventors: Stephen A. Crane; Howard A. Crane; Douglas A. Crane; Timothy J. Crane, all of Monroe County, N.Y.

[73] Assignee: Crane Manufacturing & Plastics Corp., Fairport, N.Y.

[\*\*] Term: 14 Years

[21] Appl. No.: 482,402

[22] Filed: Apr. 6, 1983

[52] U.S. Cl. .... D26/39; D26/46

[58] Field of Search ..... D26/37-50, D26/138, 140; 362/157, 158, 183-208, 105, 106

[56] References Cited

U.S. PATENT DOCUMENTS

D. 221,894	9/1971	Rhoades	.....	D26/48
1,121,247	12/1914	Hirsch	.....	362/106
3,133,705	5/1964	Eickelman	.....	362/106

3,345,508	10/1967	Chung	.....	362/200 X
4,199,802	4/1980	Malm	.....	362/106

FOREIGN PATENT DOCUMENTS

1530095	10/1978	United Kingdom	.....	362/201
---------	---------	----------------	-------	---------

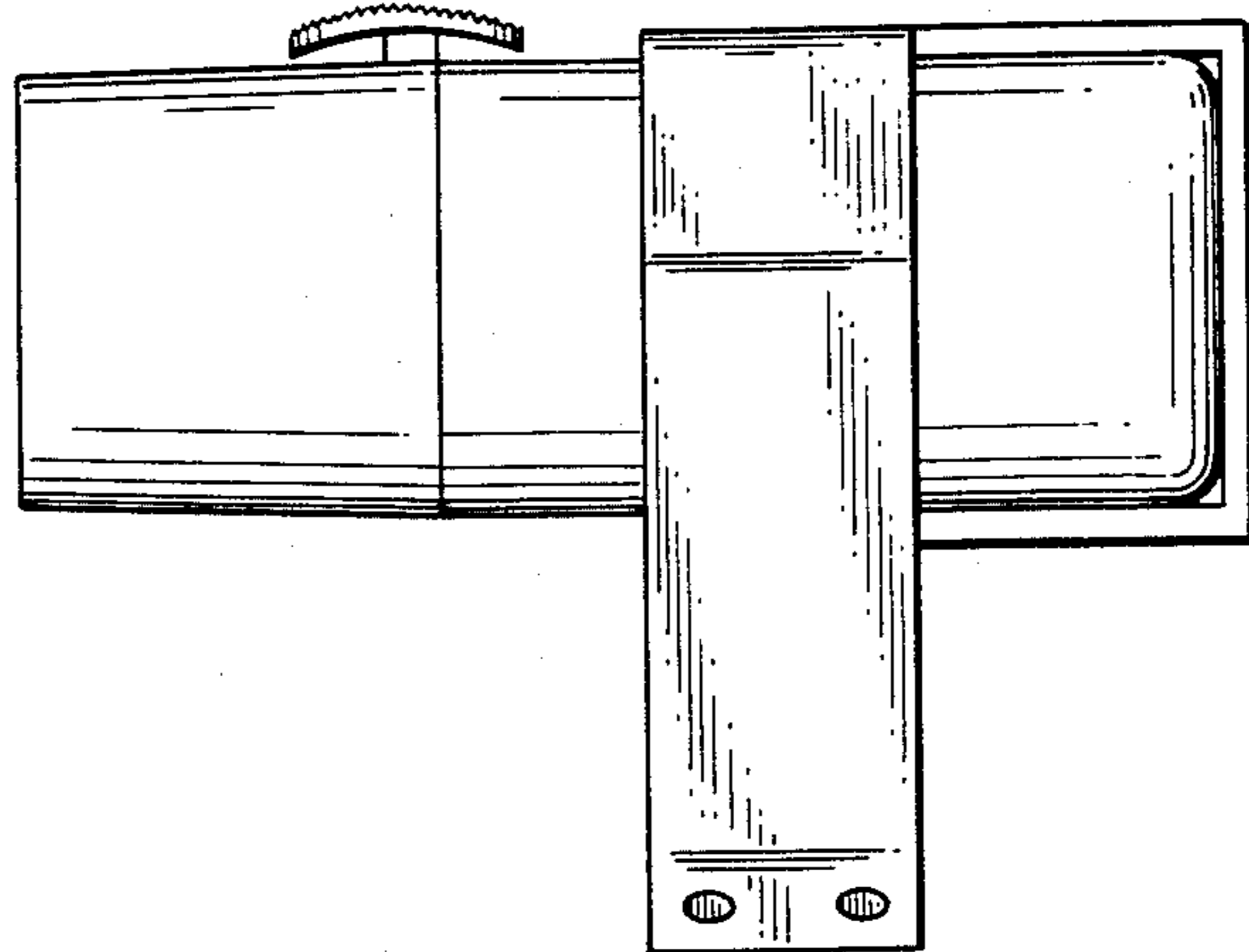
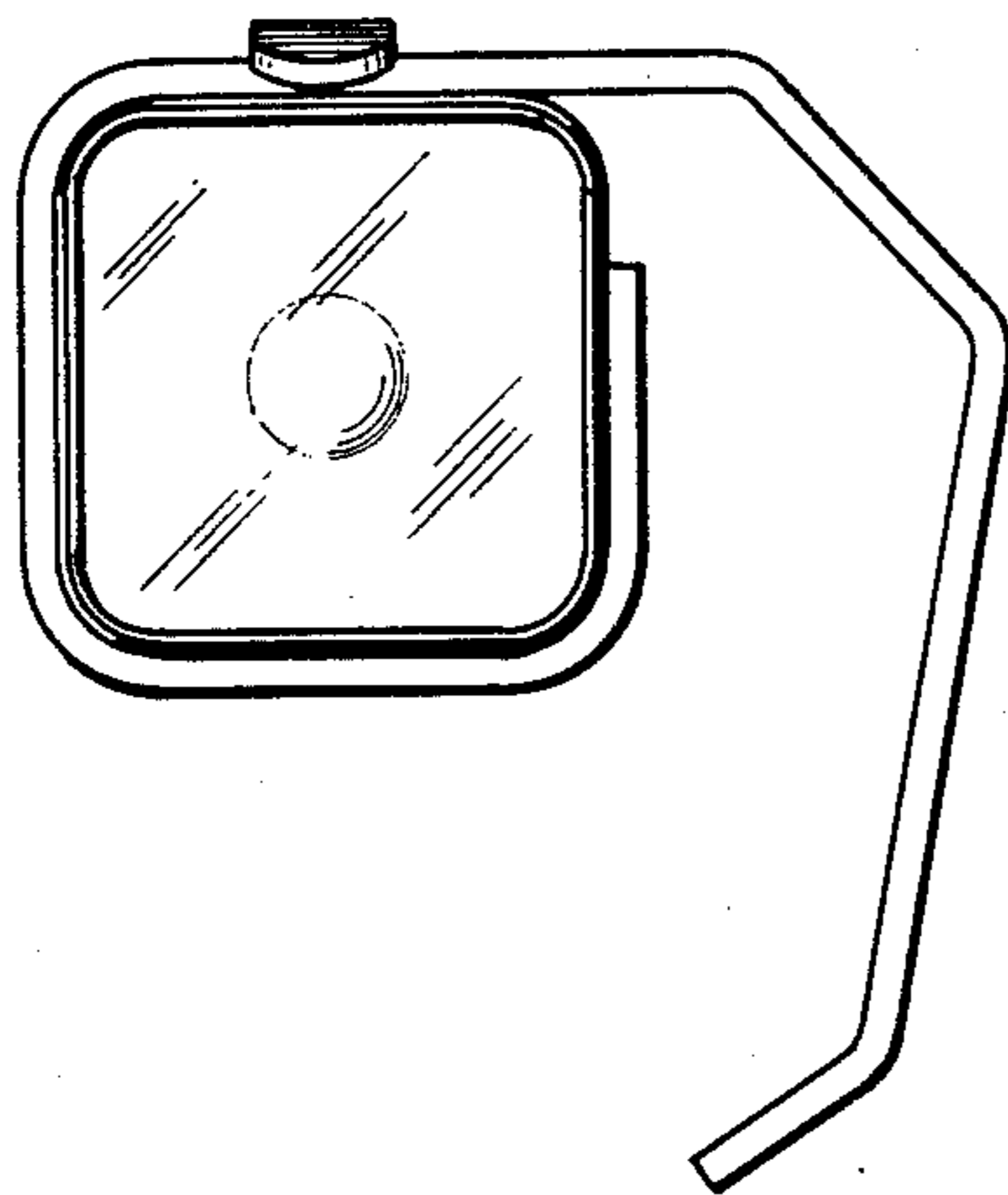
Primary Examiner—Susan J. Lucas  
Attorney, Agent, or Firm—Shlesinger Fitzsimmons Shlesinger

[57] CLAIM

The ornamental design for a combined head lamp and mounting bracket for fireman's helmet, substantially as shown.

DESCRIPTION

FIG. 1 is a front elevational view of a combined head lamp and mounting bracket for a fireman's helmet showing our new design; FIG. 2 is a right side elevational view thereof; FIG. 3 is a rear elevational view thereof; FIG. 4 is a left side elevational view thereof; FIG. 5 is a top plan view thereof; and FIG. 6 is a bottom plan view thereof.



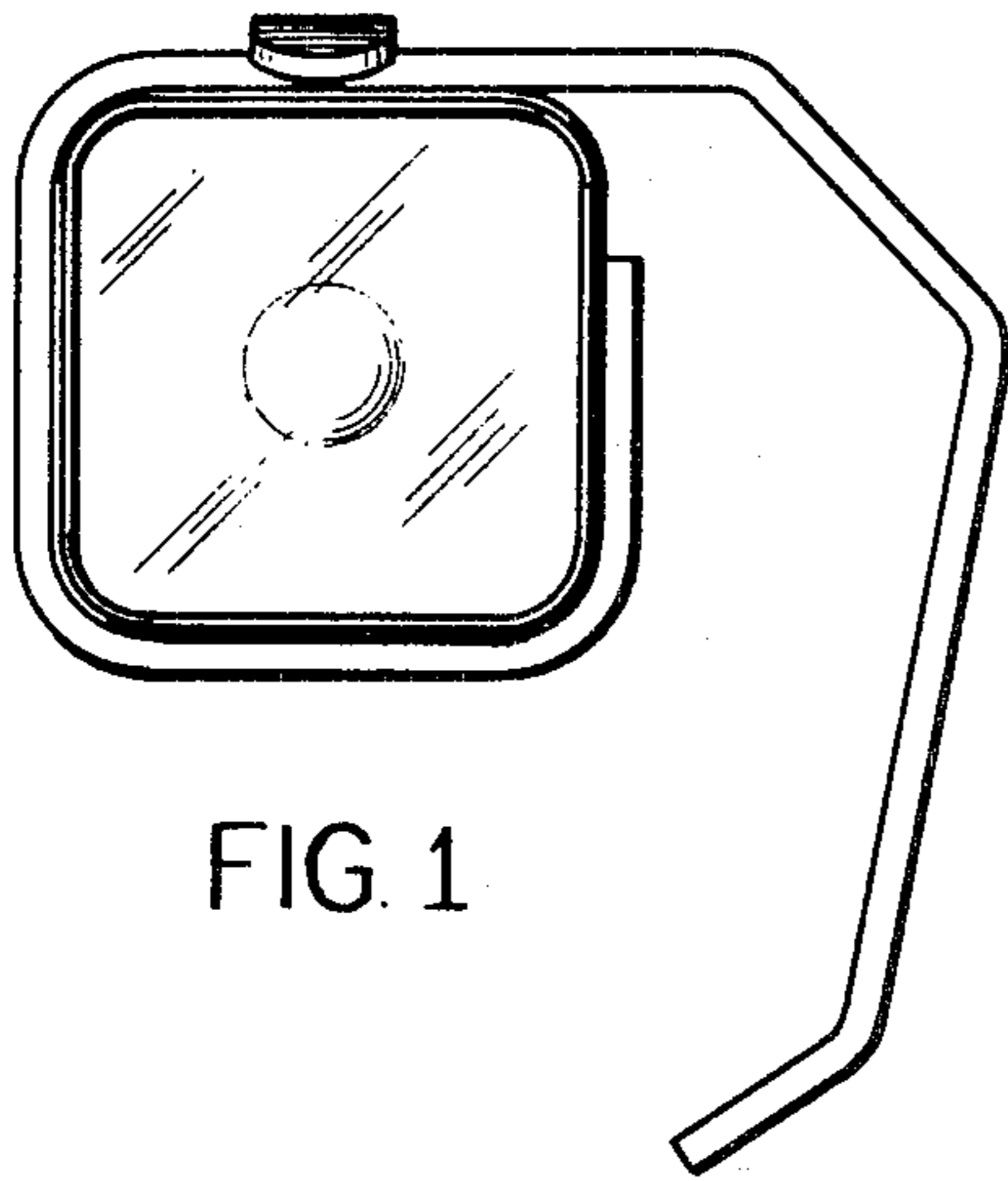


FIG. 1

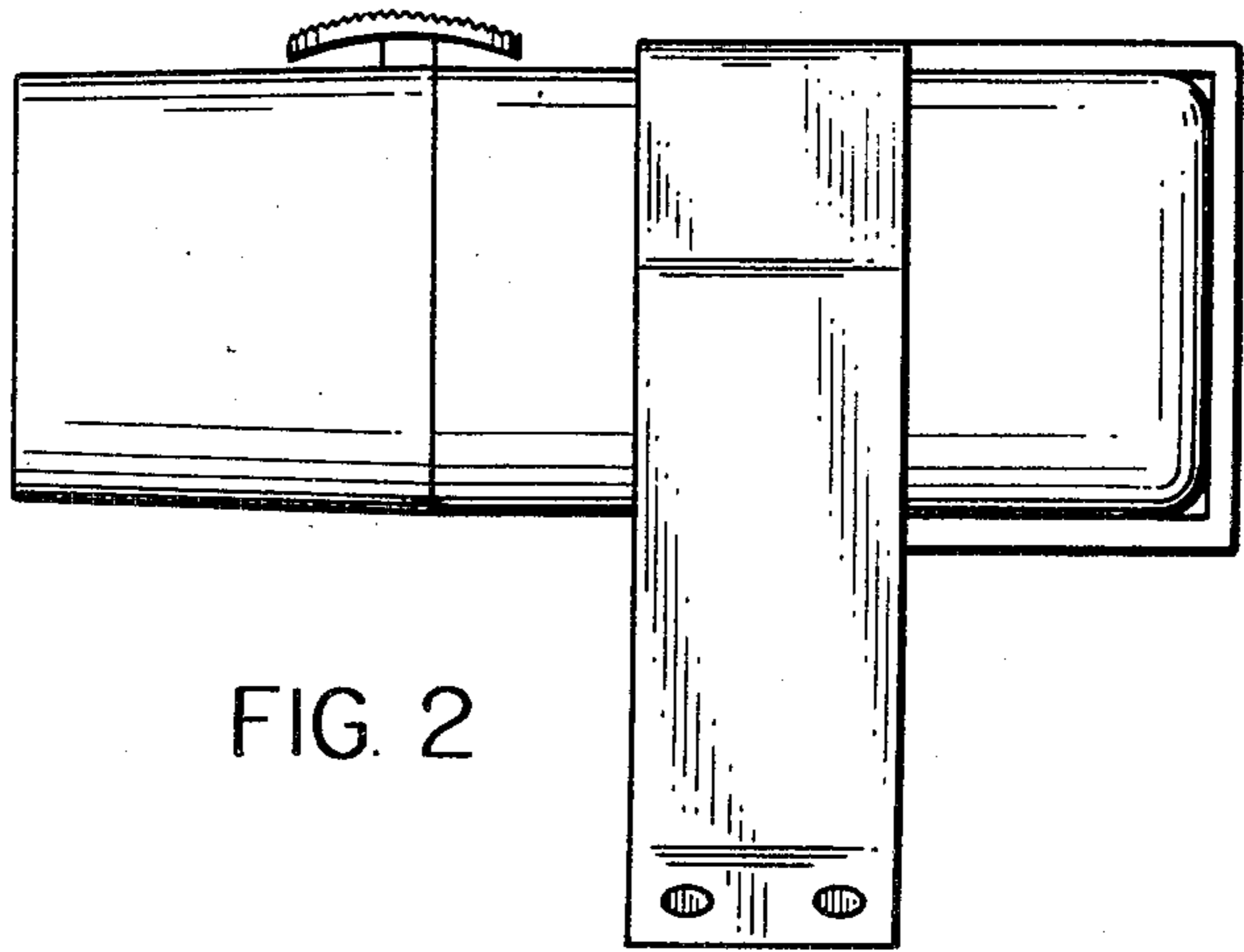


FIG. 2

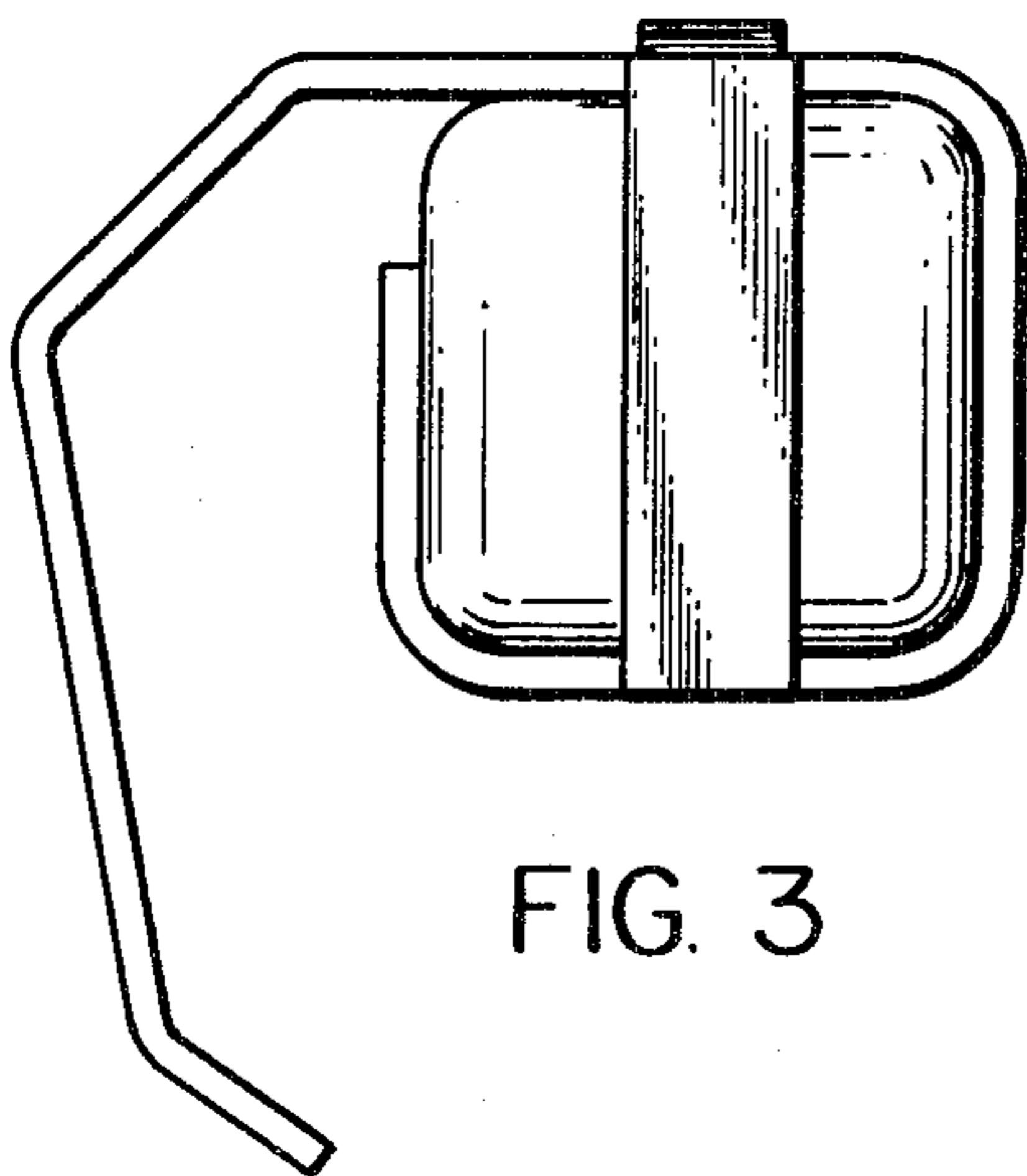


FIG. 3

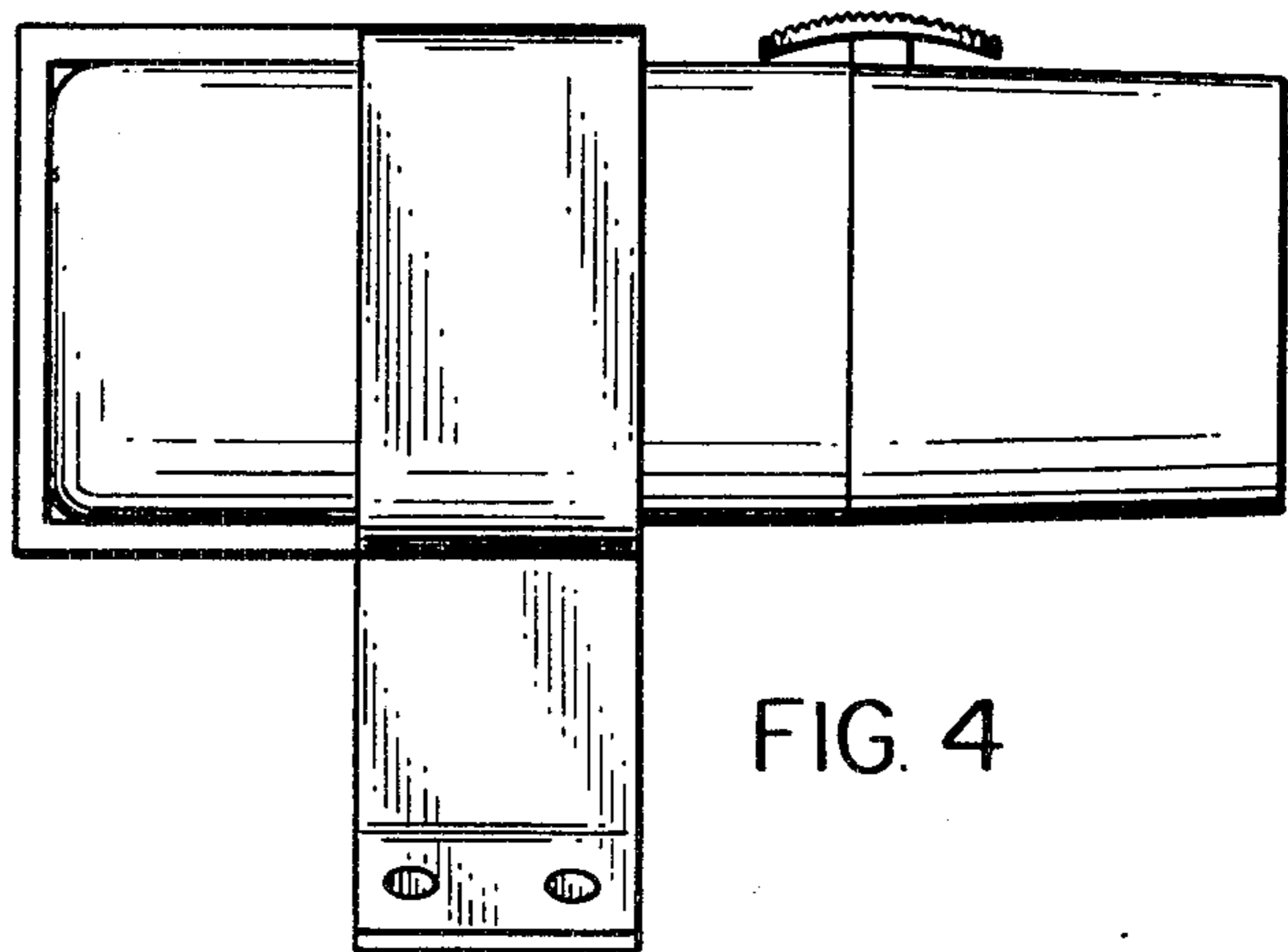


FIG. 4

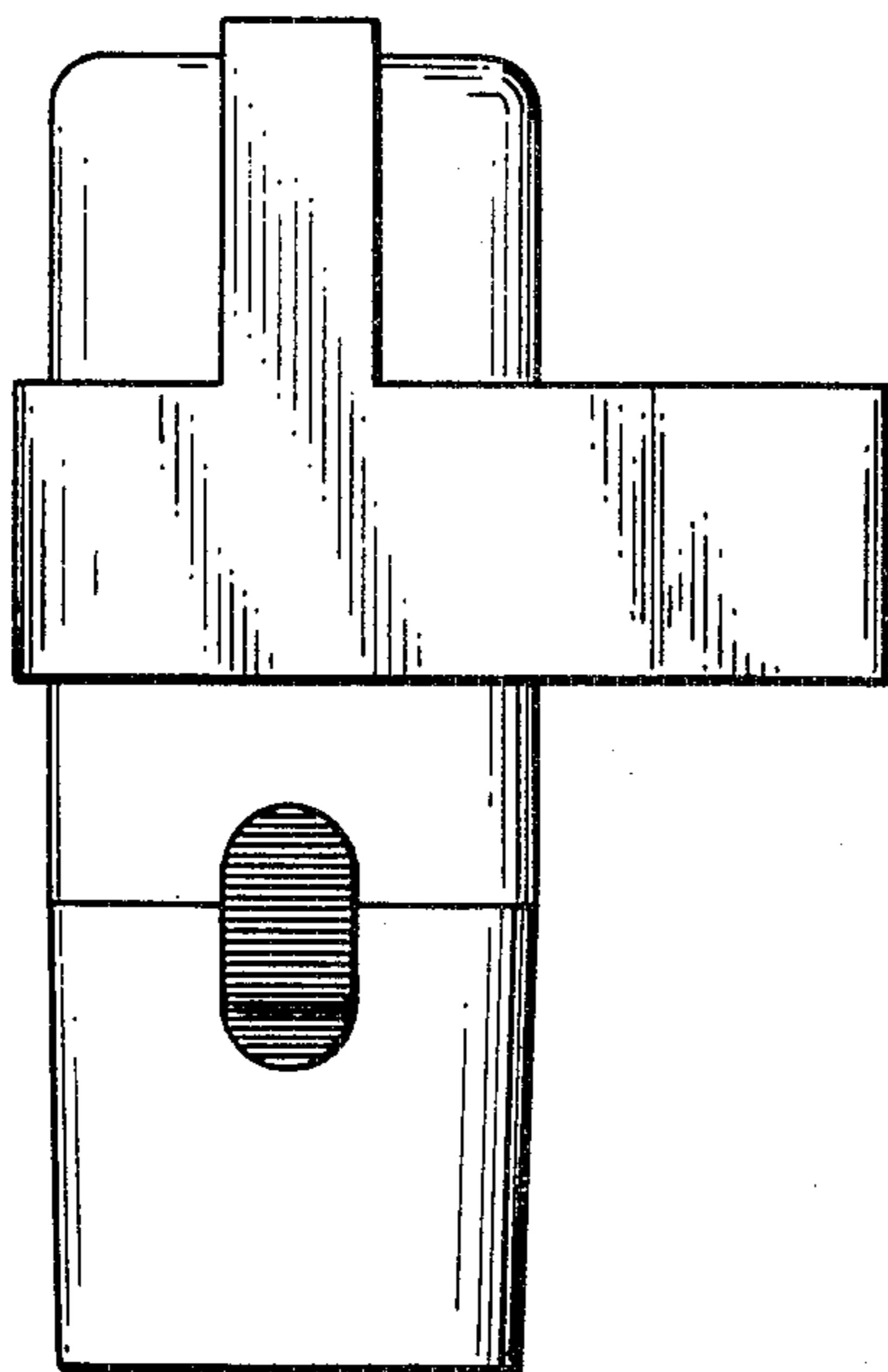


FIG. 5

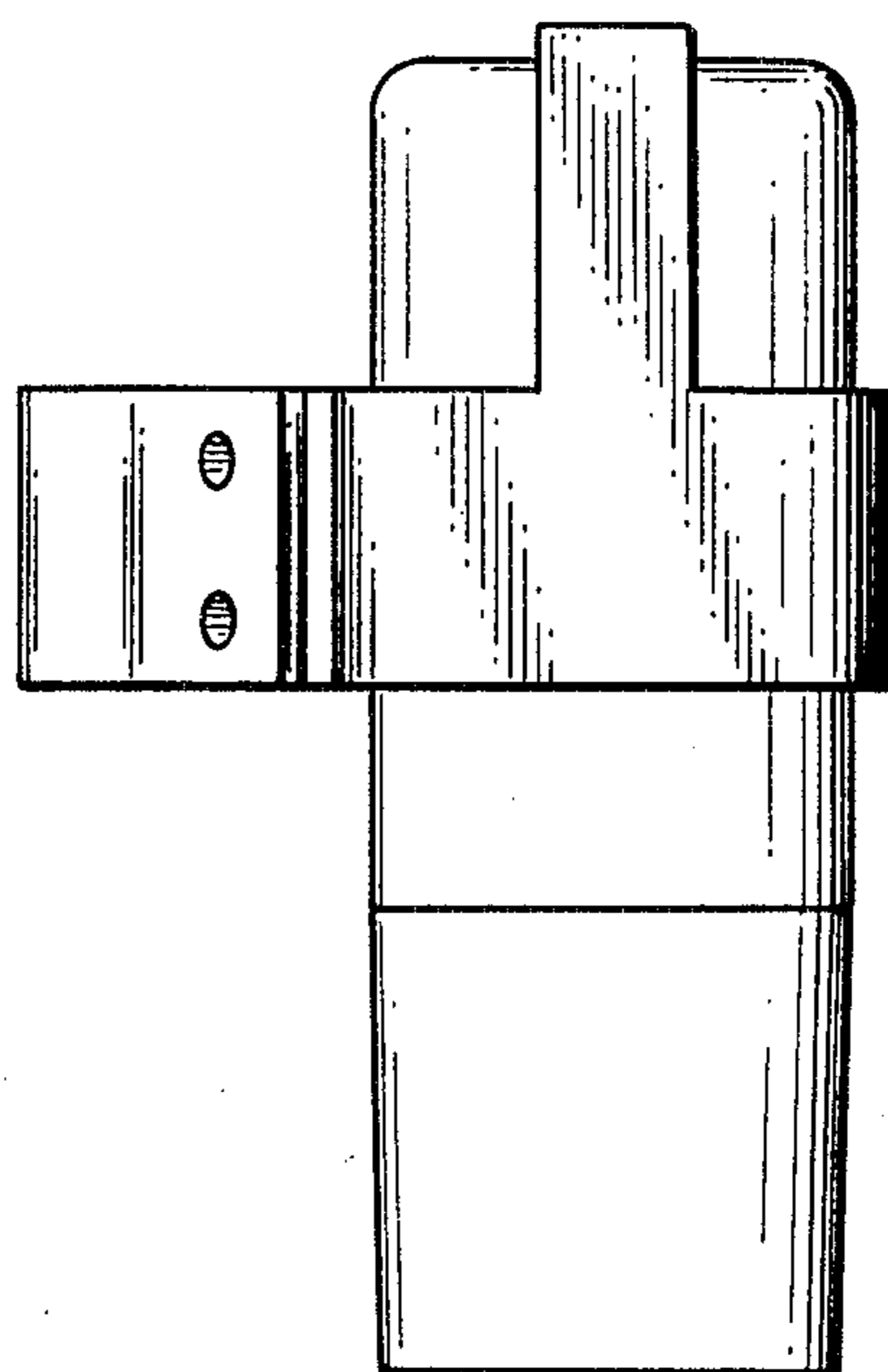


FIG. 6