

[54] LATCH JAMB

4,048,774 9/1977 Yamamoto ..... D25/74 X

[76] Inventor: Joseph C. Bancroft, 812 Sweetwater Club Blvd., Longwood, Fla. 32779

Primary Examiner—A. Hugo Word  
Attorney, Agent, or Firm—Macdonald J. Wiggins

[ \* ] Notice: The portion of the term of this patent subsequent to Oct. 14, 2000 has been disclaimed.

[57] CLAIM

The ornamental design for a latch jamb, as shown and described.

[\*\*] Term: 14 Years

DESCRIPTION

[21] Appl. No.: 761,850

[22] Filed: Aug. 2, 1985

[52] U.S. Cl. .... D25/74

[58] Field of Search ..... D25/52, 73-76;  
49/419, 504, DIG. 2; 52/202

FIG. 1 is a fragmentary top perspective view of the latch jamb showing my design;  
FIG. 2 is a front elevational view thereof in which the rear view thereof is a mirror image of the front view;  
FIG. 3 is a left elevational view thereof broken away to indicate indeterminate length;  
FIG. 4 is a right elevational view thereof broken away to indicate indeterminate length;  
FIG. 5 is a bottom plan view thereof broken away to indicate indeterminate length; and  
FIG. 6 is a top plan view thereof broken away to indicate indeterminate length.

[56] References Cited

U.S. PATENT DOCUMENTS

D. 251,447	3/1979	Bancroft et al. ....	D25/74
D. 251,448	3/1979	Bancroft et al. ....	D25/74
D. 251,450	3/1979	Bancroft et al. ....	D25/74
D. 251,504	4/1979	Bancroft et al. ....	D25/74

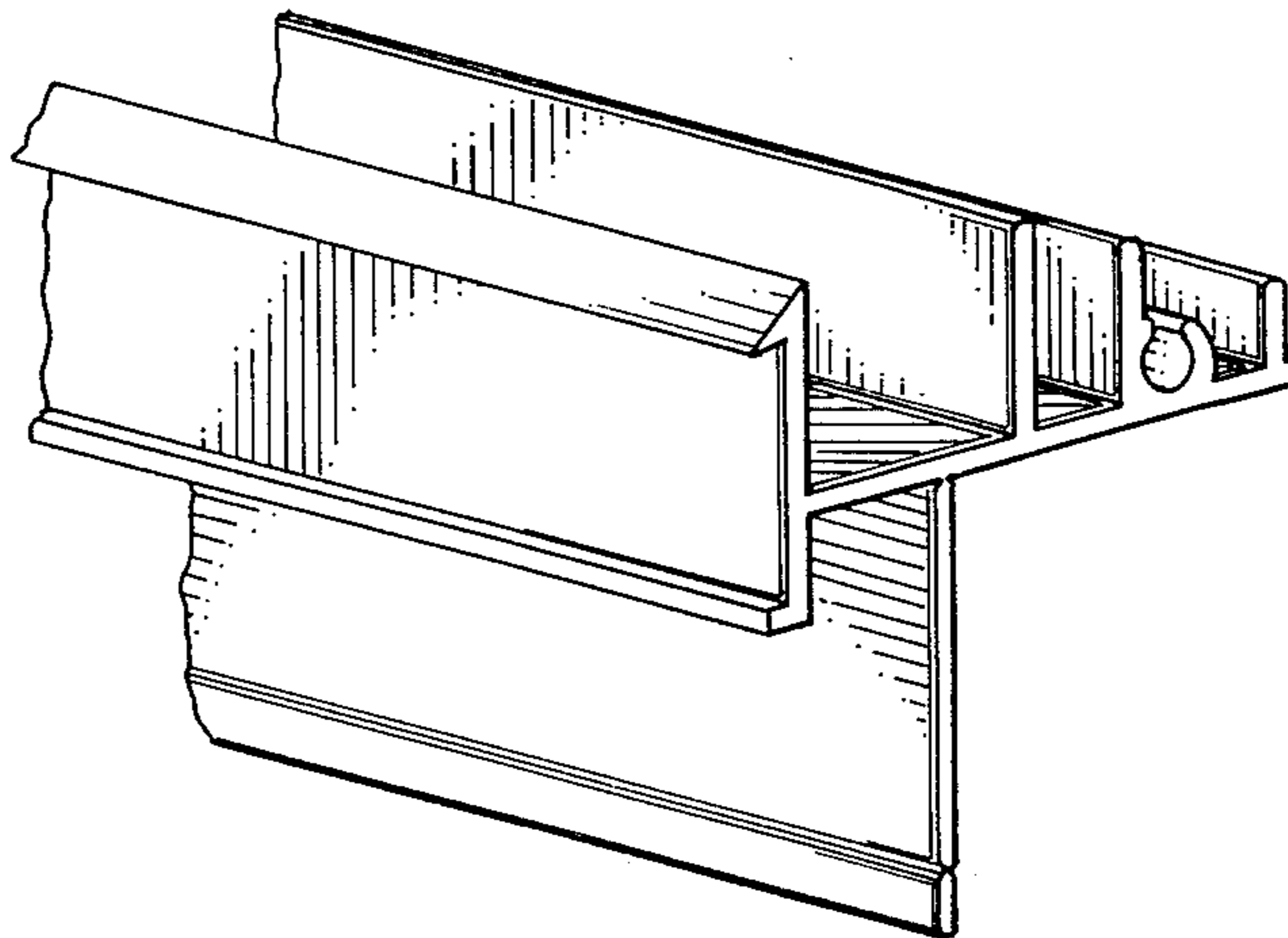


FIG. 1

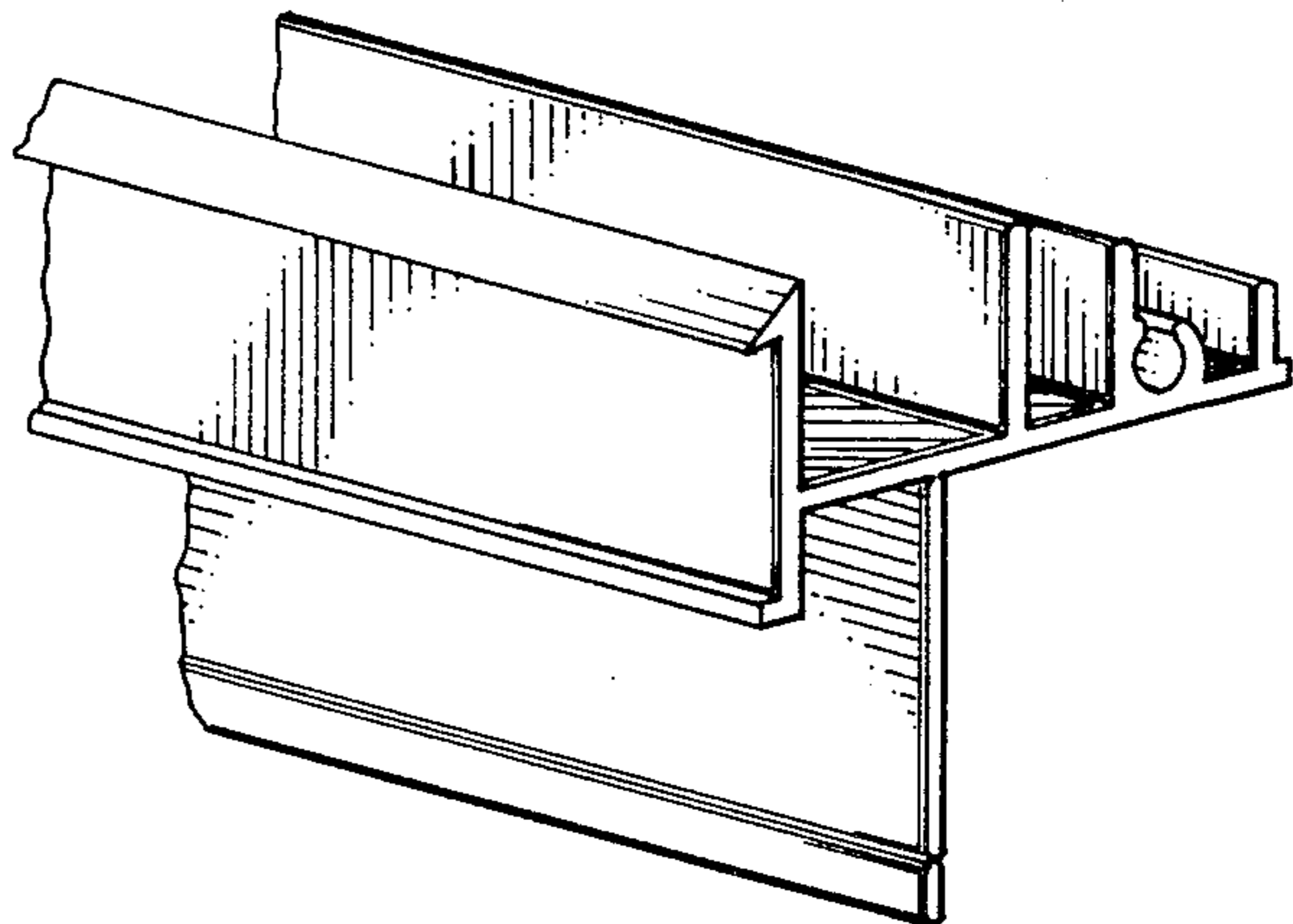


FIG. 2

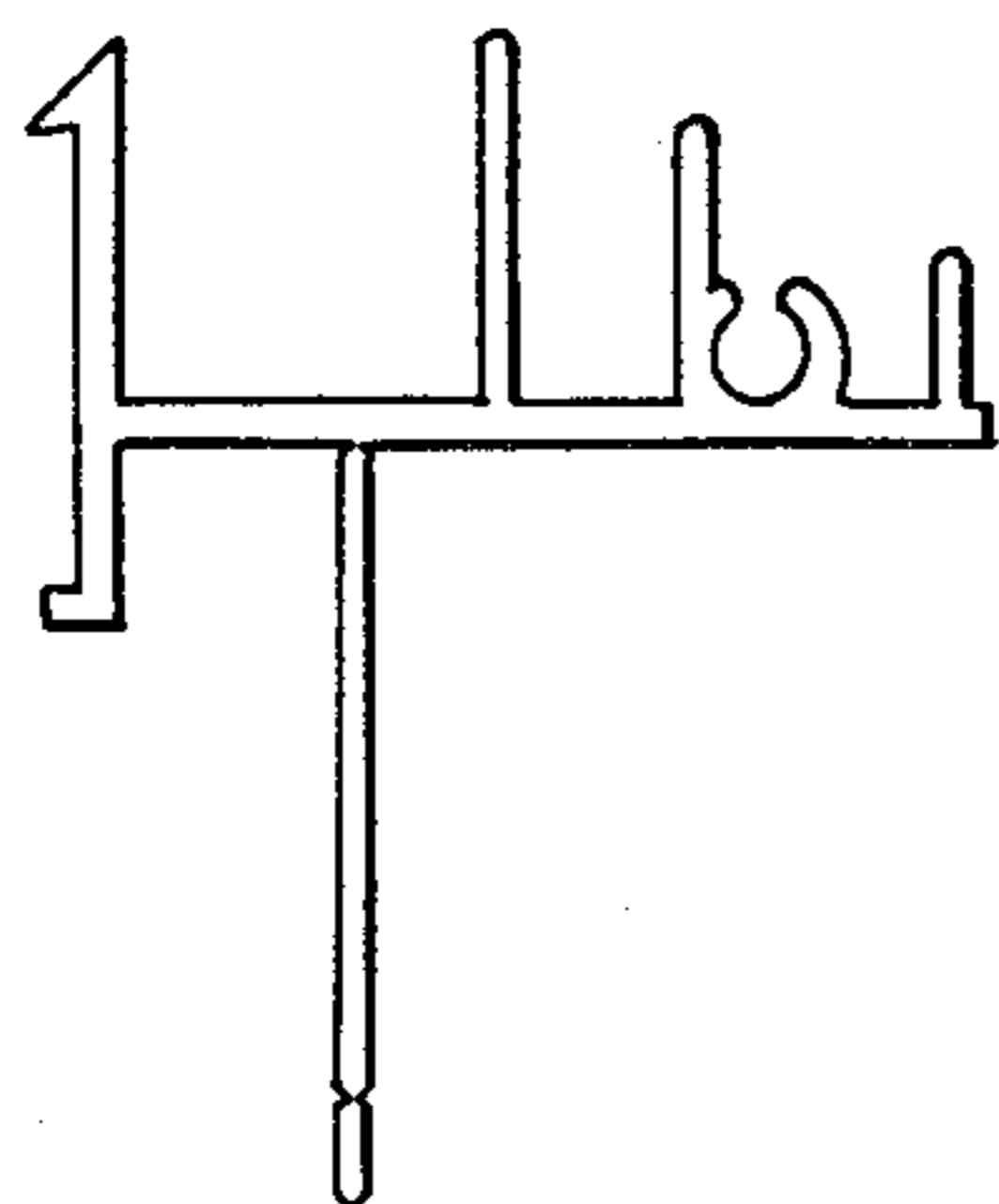


FIG. 3

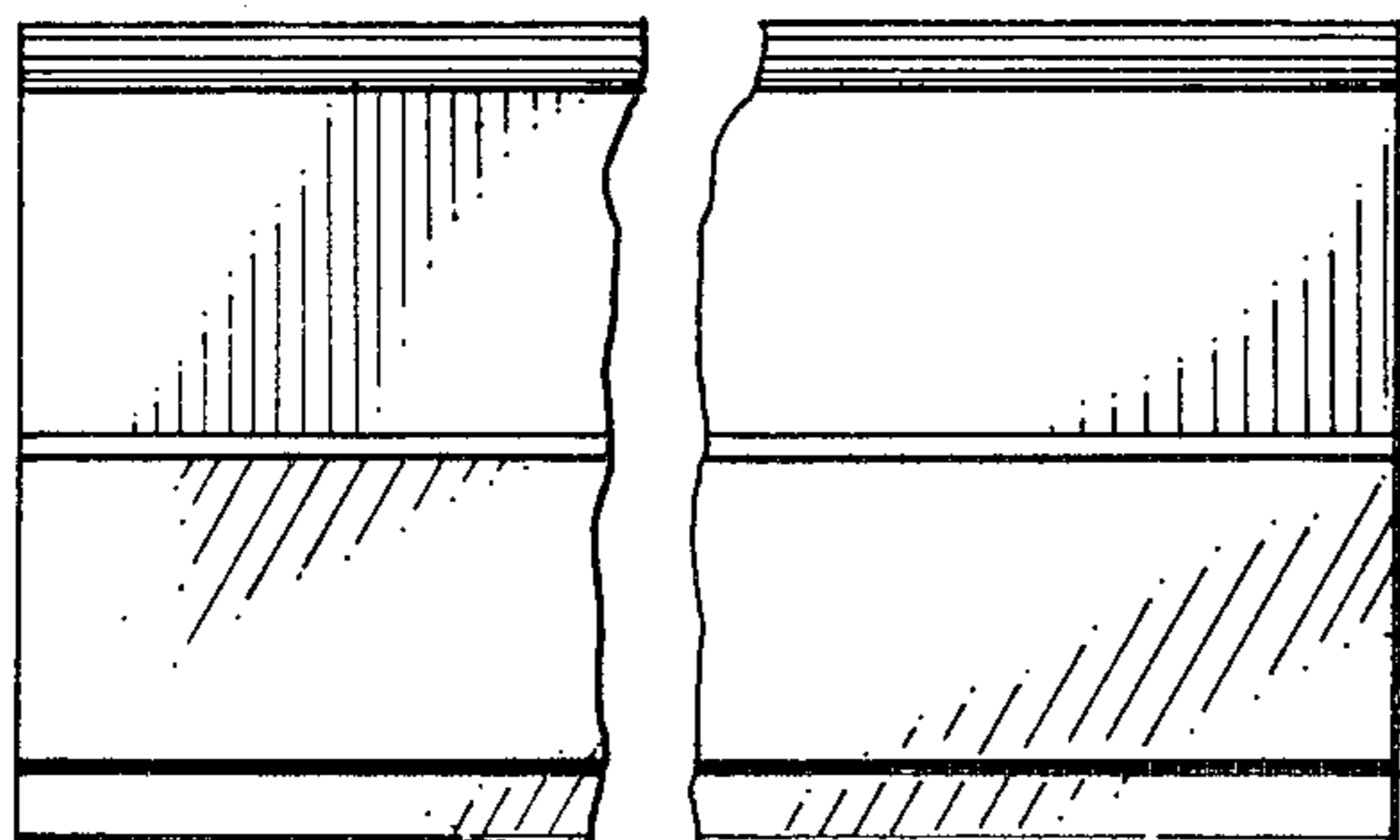


FIG. 4

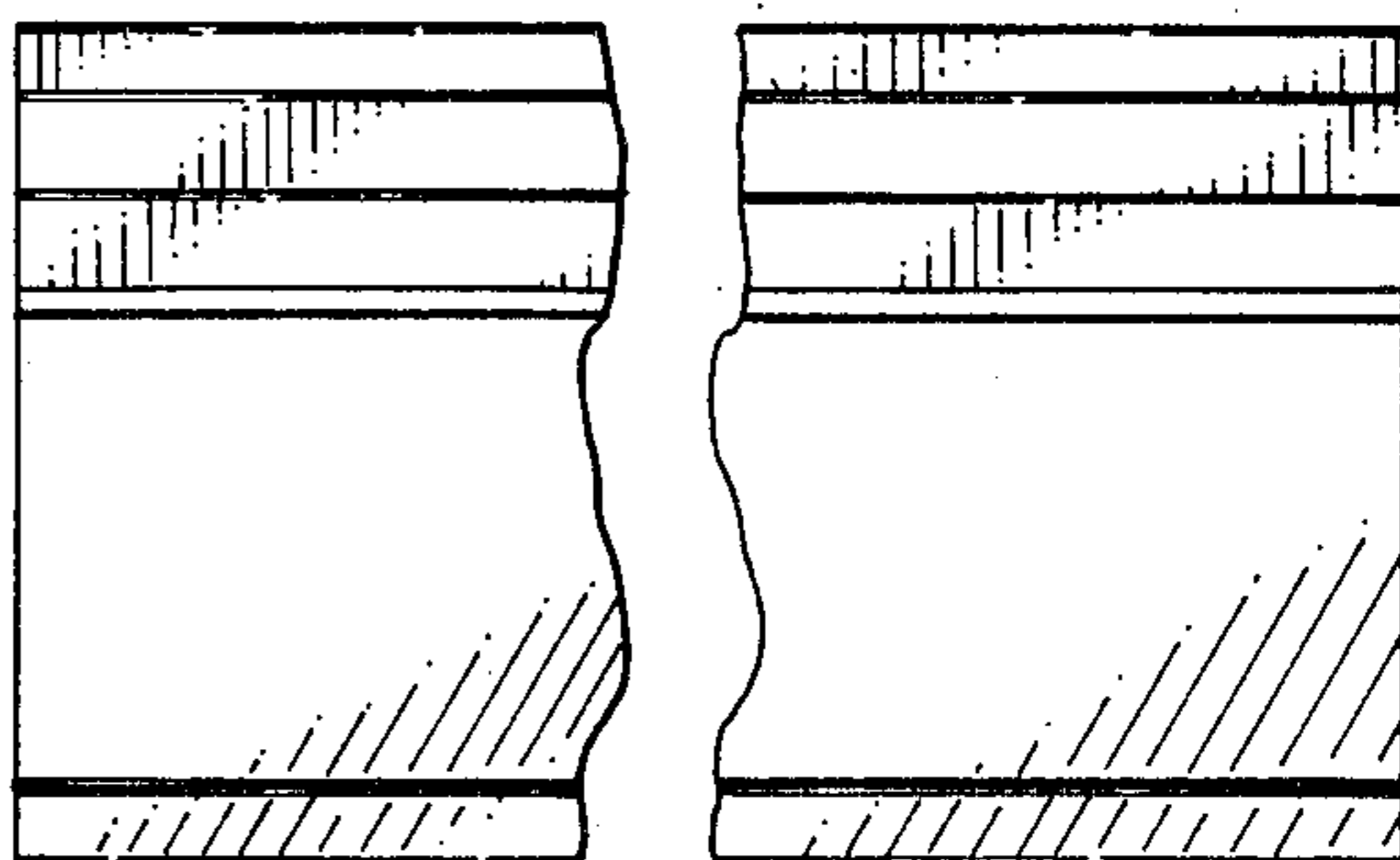


FIG. 5

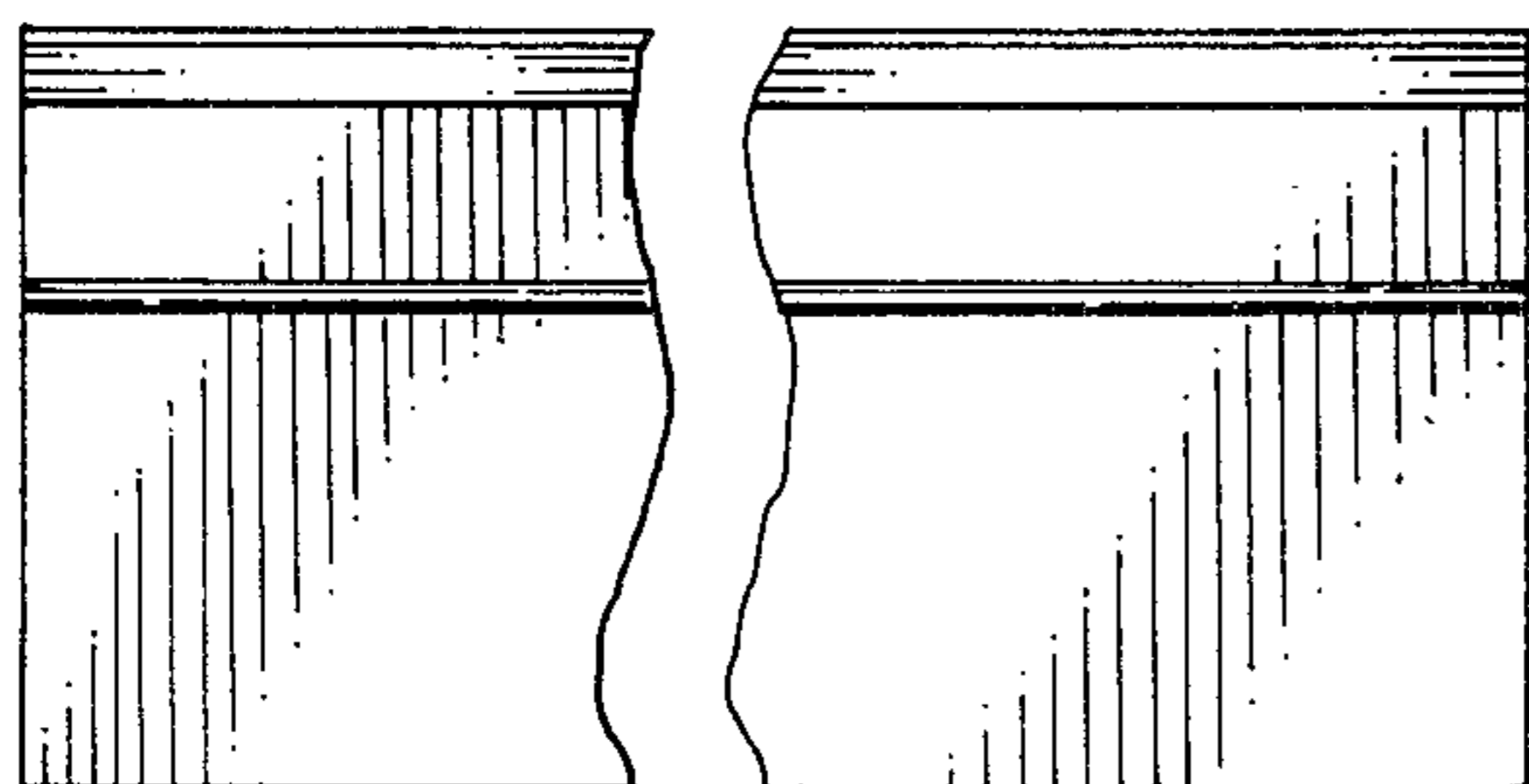


FIG. 6

