

[54] **FRAME SILL EXTRUSION**

[76] **Inventor: Joseph C. Bancroft, 812 Sweetwater Club Blvd., Longwood, Fla. 32779**

[*] **Notice: The portion of the term of this patent subsequent to Oct. 14, 2000 has been disclaimed.**

[**] **Term: 14 Years**

[21] **Appl. No.: 720,621**

[22] **Filed: Apr. 5, 1985**

[52] **U.S. Cl. D25/74**

[58] **Field of Search D25/52, 73-76; 49/419, 504, DIG. 2; 52/202**

[56] **References Cited**

U.S. PATENT DOCUMENTS

- D. 251,447 3/1979 Bancroft et al. D25/74
- D. 251,448 3/1979 Bancroft et al. D25/74
- D. 251,450 3/1979 Bancroft et al. D25/74

- D. 251,506 4/1979 Bancroft et al. D25/74
- 4,048,774 9/1977 Yamamoto D25/74 X

Primary Examiner—A. Hugo Word
Attorney, Agent, or Firm—Macdonald J. Wiggins

[57] **CLAIM**

The ornamental design for a frame sill extrusion, as shown and described.

DESCRIPTION

FIG. 1 is a fragmentary top perspective view of the frame sill extrusion showing my design;
 FIG. 2 is a front elevational view in which the rear elevational thereof is a mirror image of the front view;
 FIG. 3 is a left side elevational view thereof broken away to indicate indeterminate length;
 FIG. 4 is a right side elevation view thereof broken away to indicate indeterminate length;
 FIG. 5 is a top plan view thereof broken away to indicate indeterminate length; and
 FIG. 6 is a bottom plain view thereof broken away to indicate indeterminate length.

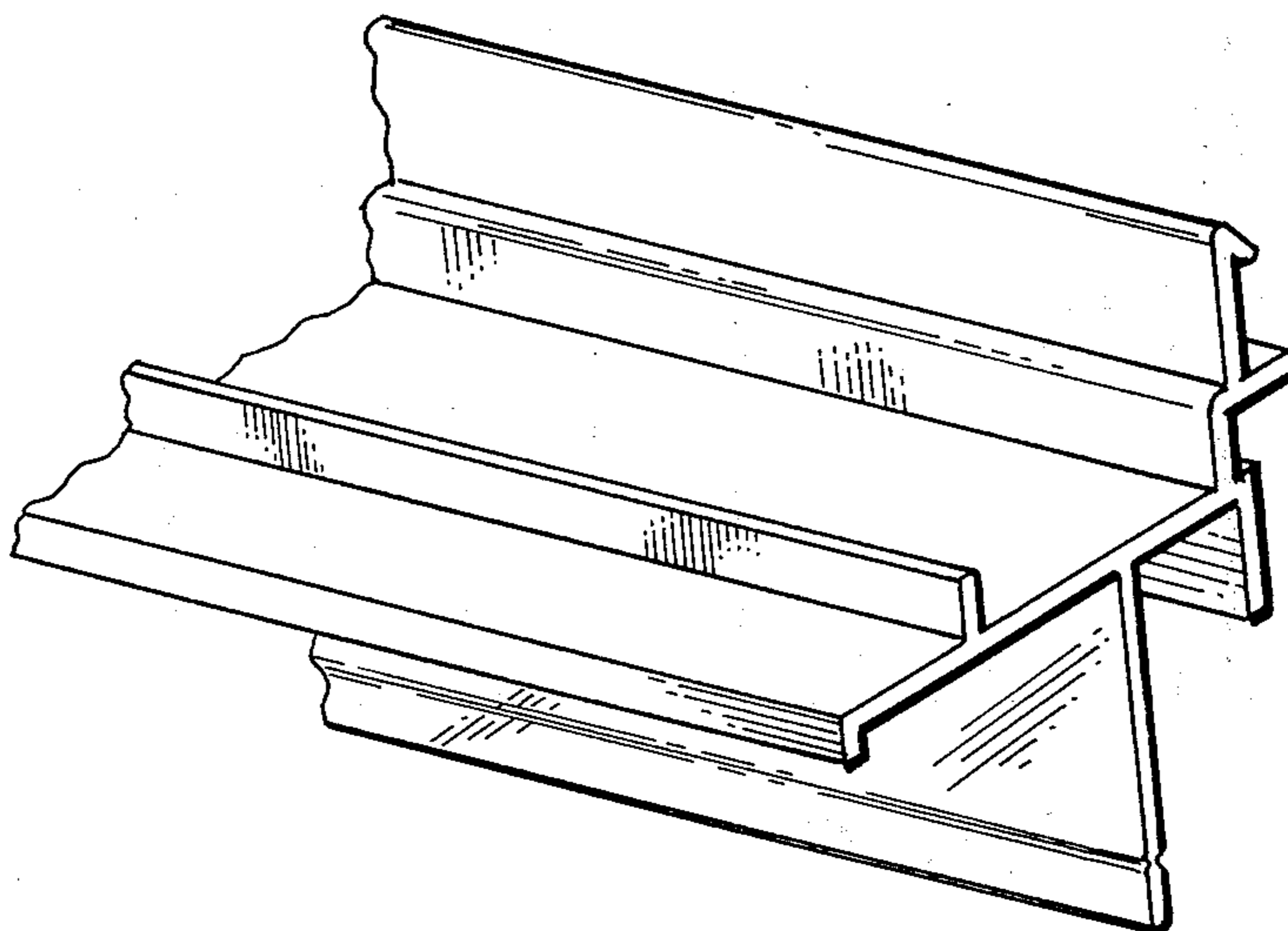


FIG. 1

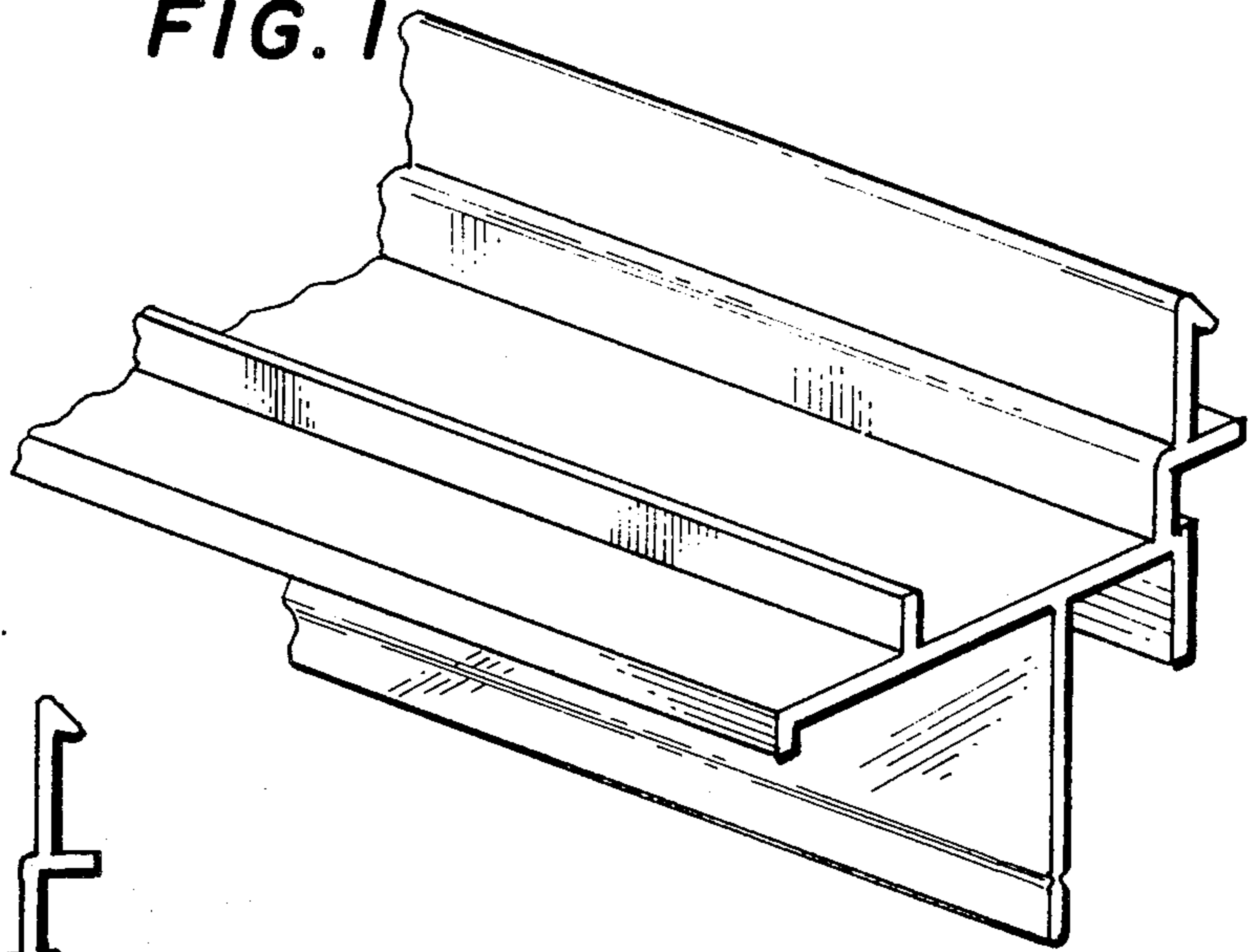


FIG. 2

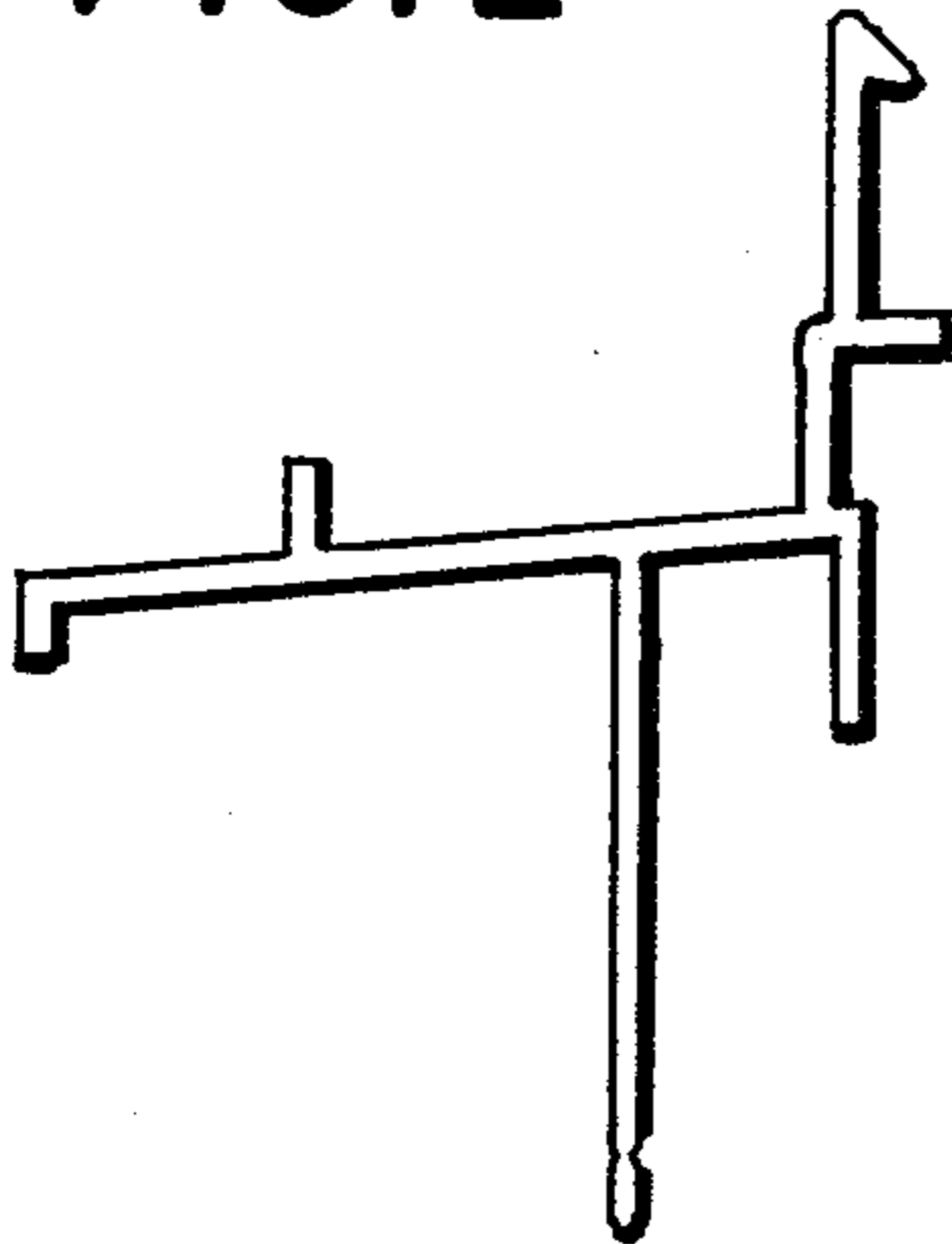


FIG. 3

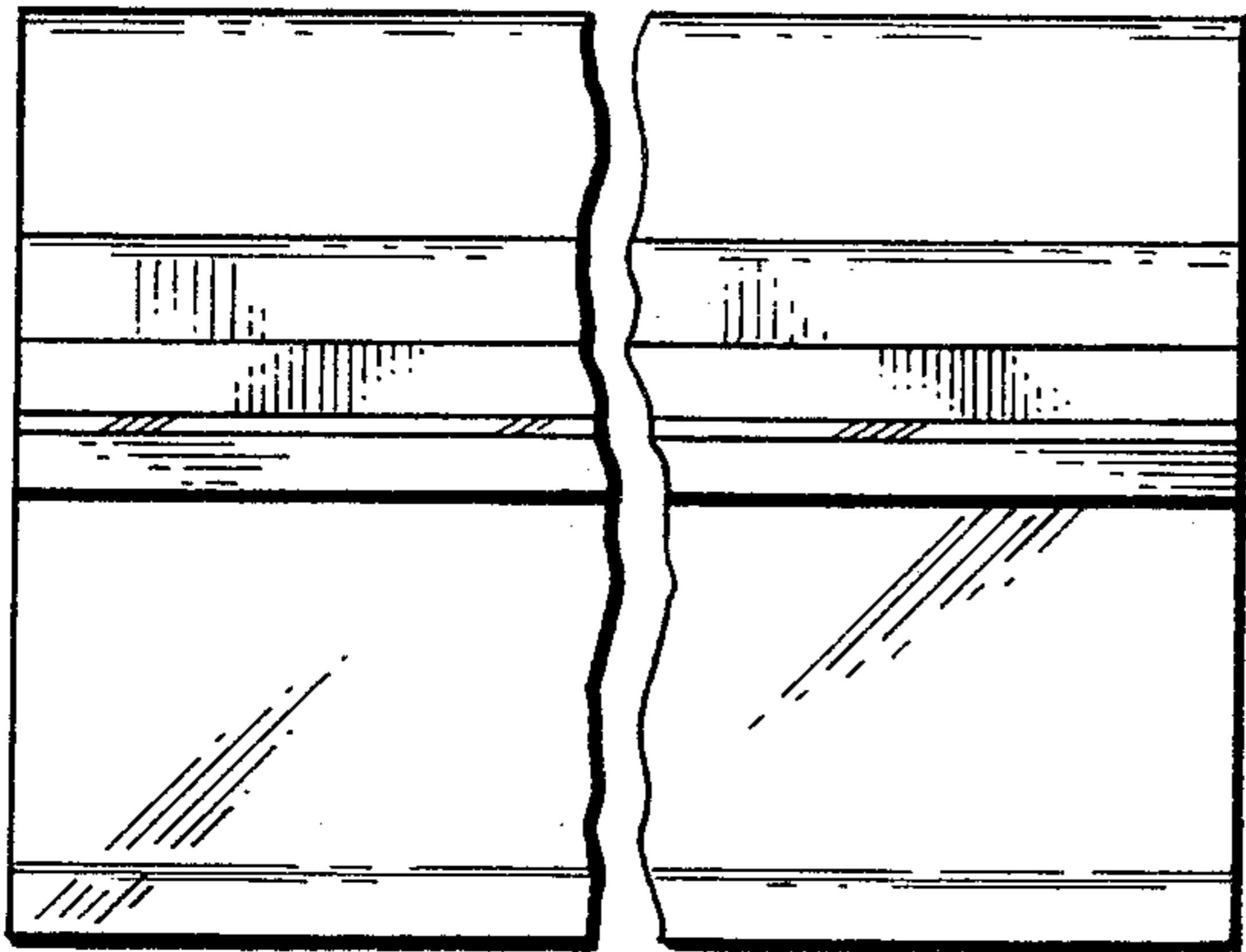


FIG. 4

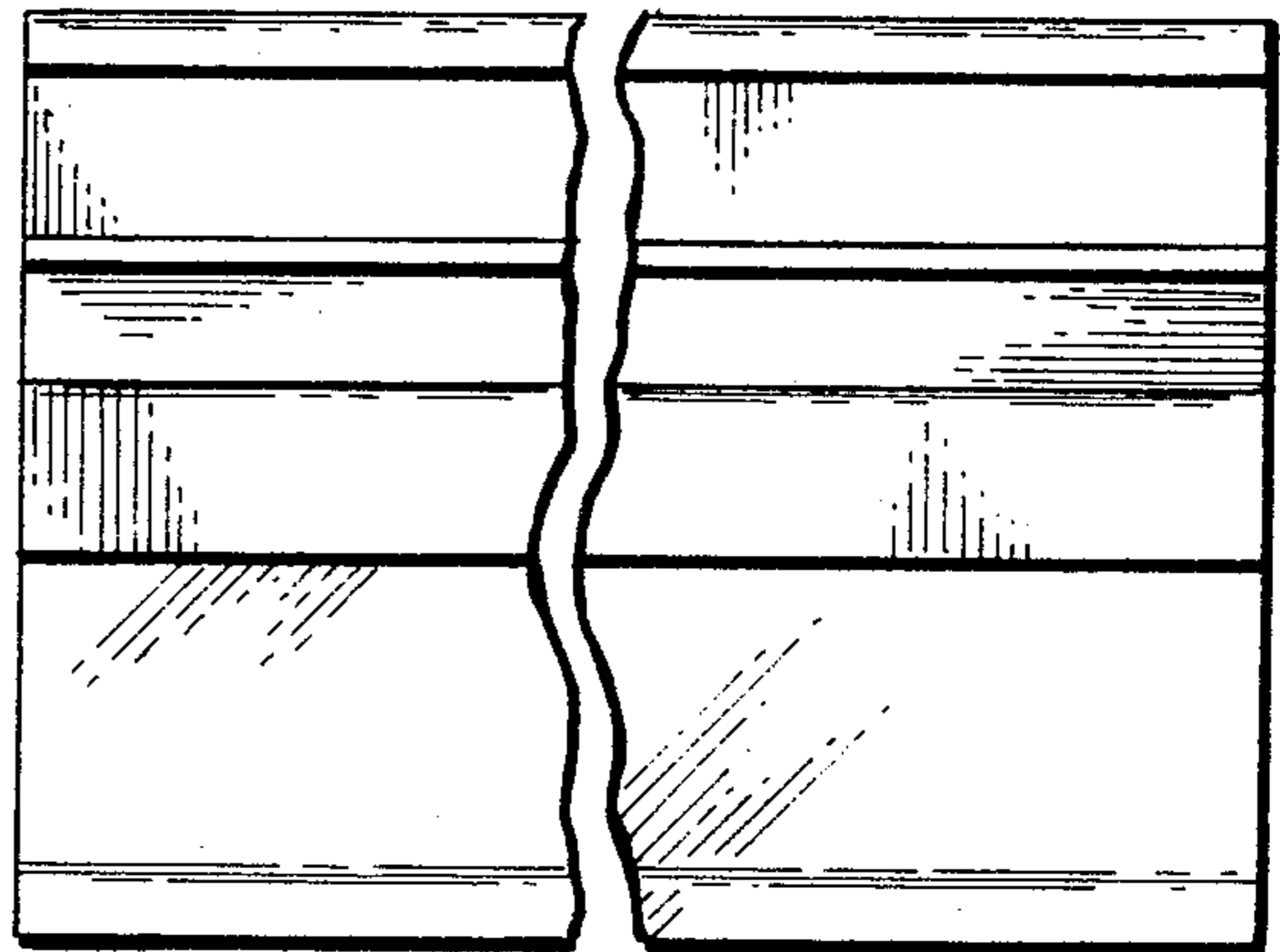


FIG. 5

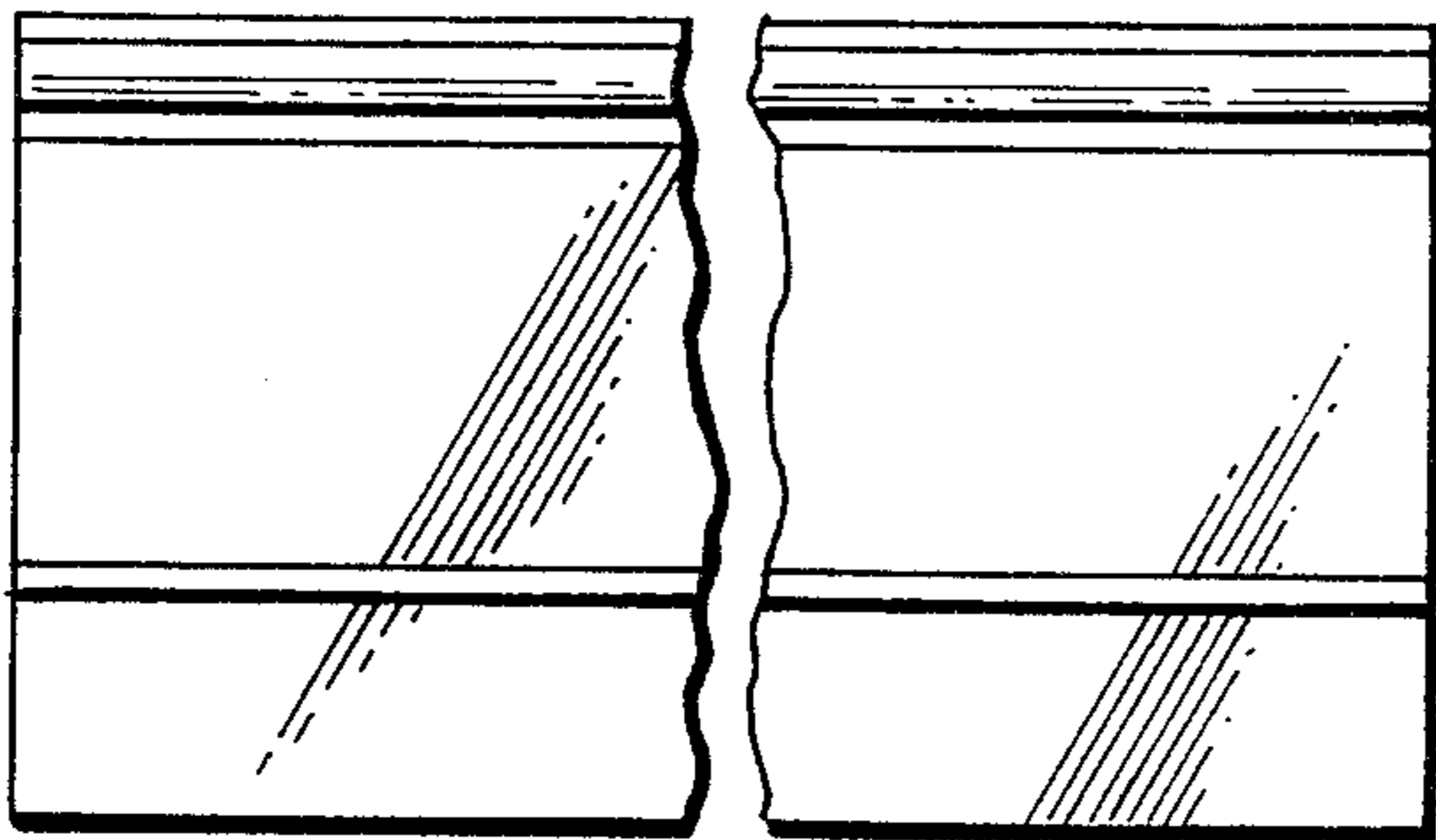


FIG. 6

