

[54] FRAME JAMB EXTRUSION

[76] Inventor: Joseph C. Bancroft, 812 Sweetwater Club Blvd., Longwood, Fla. 32779

[\*] Notice: The portion of the term of this patent subsequent to Oct. 14, 2000 has been disclaimed.

[\*\*] Term: 14 Years

[21] Appl. No.: 720,618

[22] Filed: Apr. 5, 1985

[52] U.S. Cl. .... D25/74

[58] Field of Search ..... D25/52, 73-76; 49/419, 504, DIG. 2; 52/202

[56] References Cited

U.S. PATENT DOCUMENTS

- D. 251,447 3/1979 Bancroft et al. .... D25/74
- D. 251,448 3/1979 Bancroft et al. .... D25/74
- D. 251,450 3/1979 Bancroft et al. .... D25/74
- D. 251,504 4/1979 Bancroft et al. .... D25/74

4,048,774 9/1977 Yamamoto ..... D25/74 X

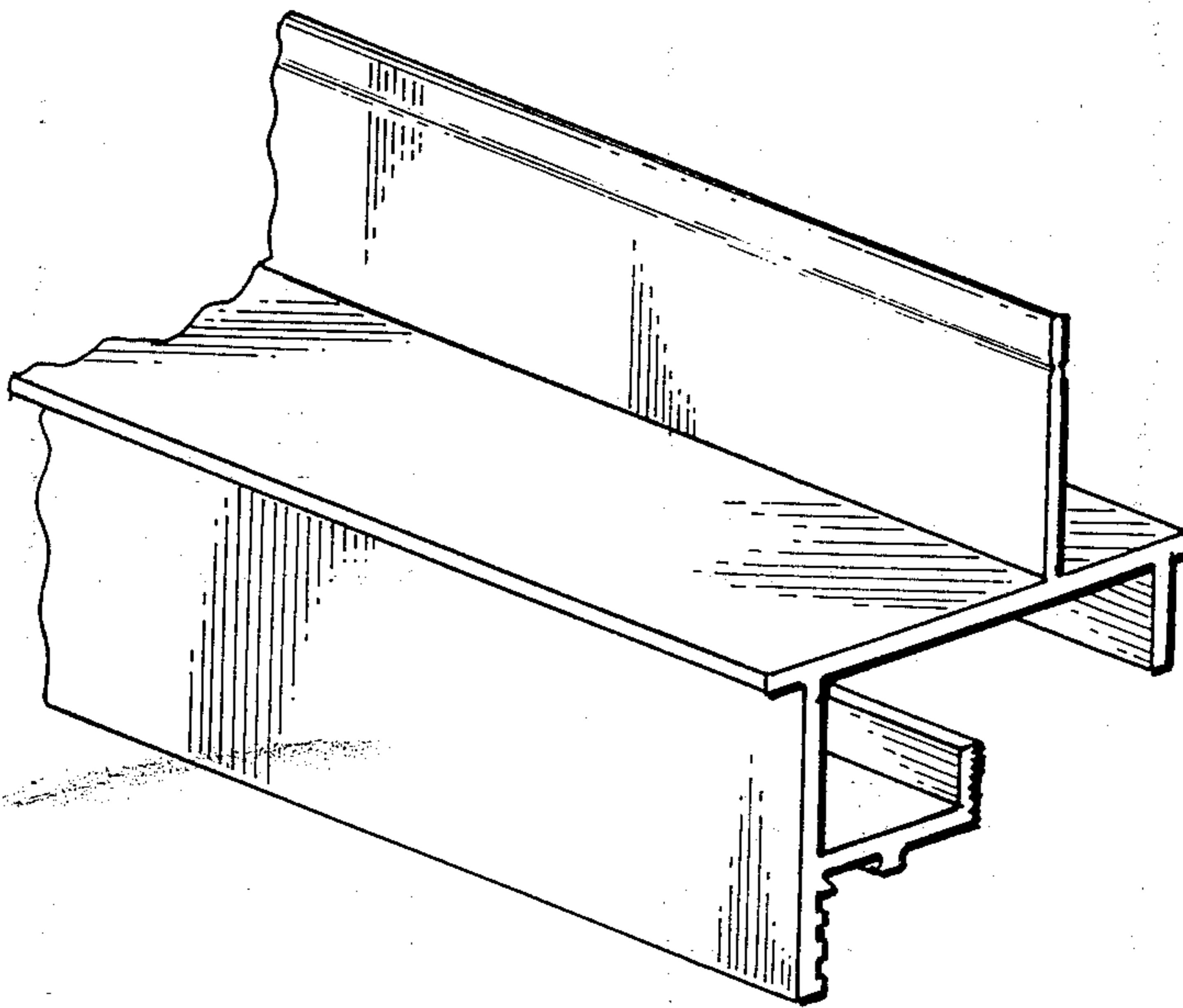
Primary Examiner—A. Hugo Word  
Attorney, Agent, or Firm—Macdonald J. Wiggins

[57] CLAIM

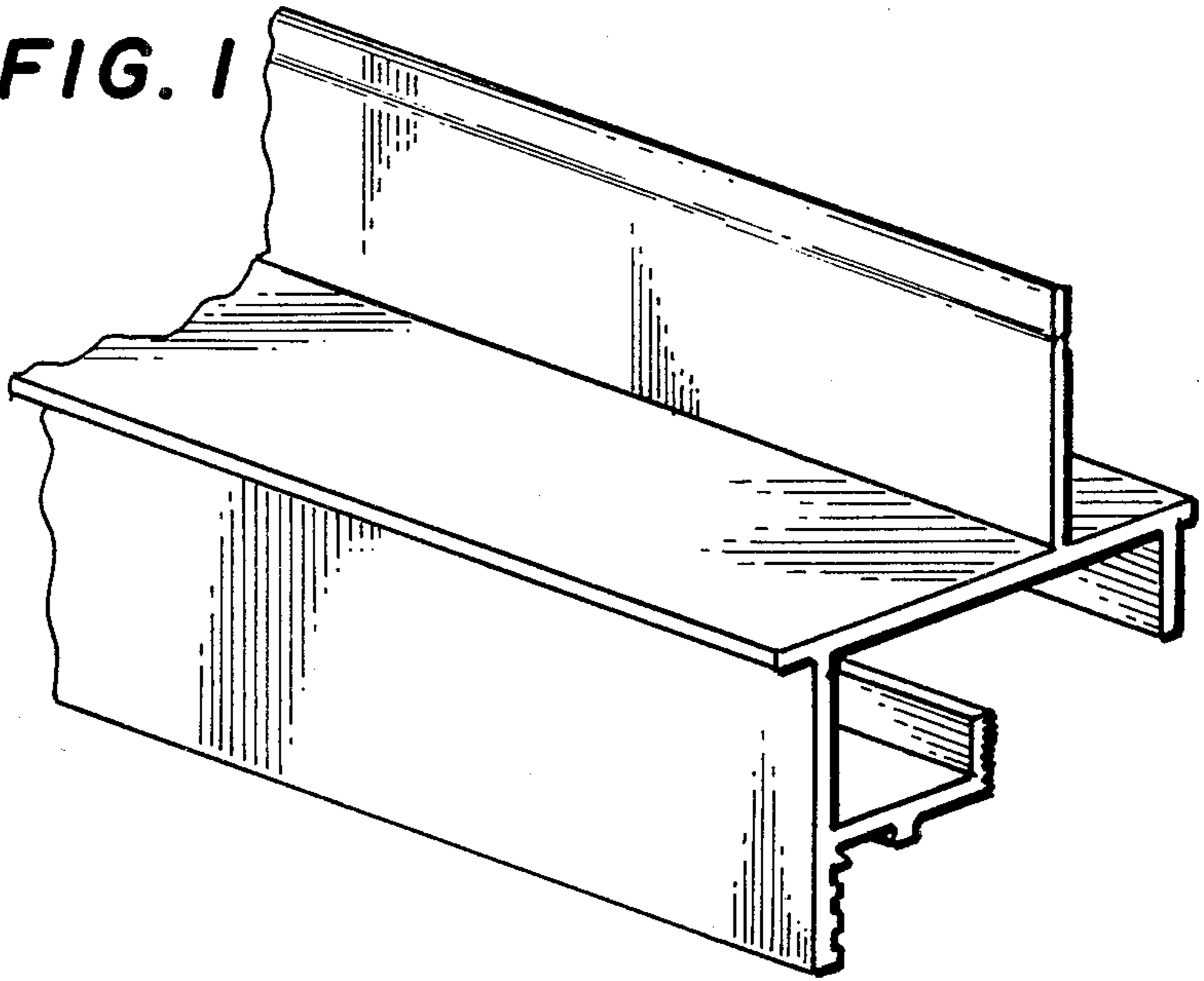
The ornamental design for a frame jamb extrusion, as shown and described.

DESCRIPTION

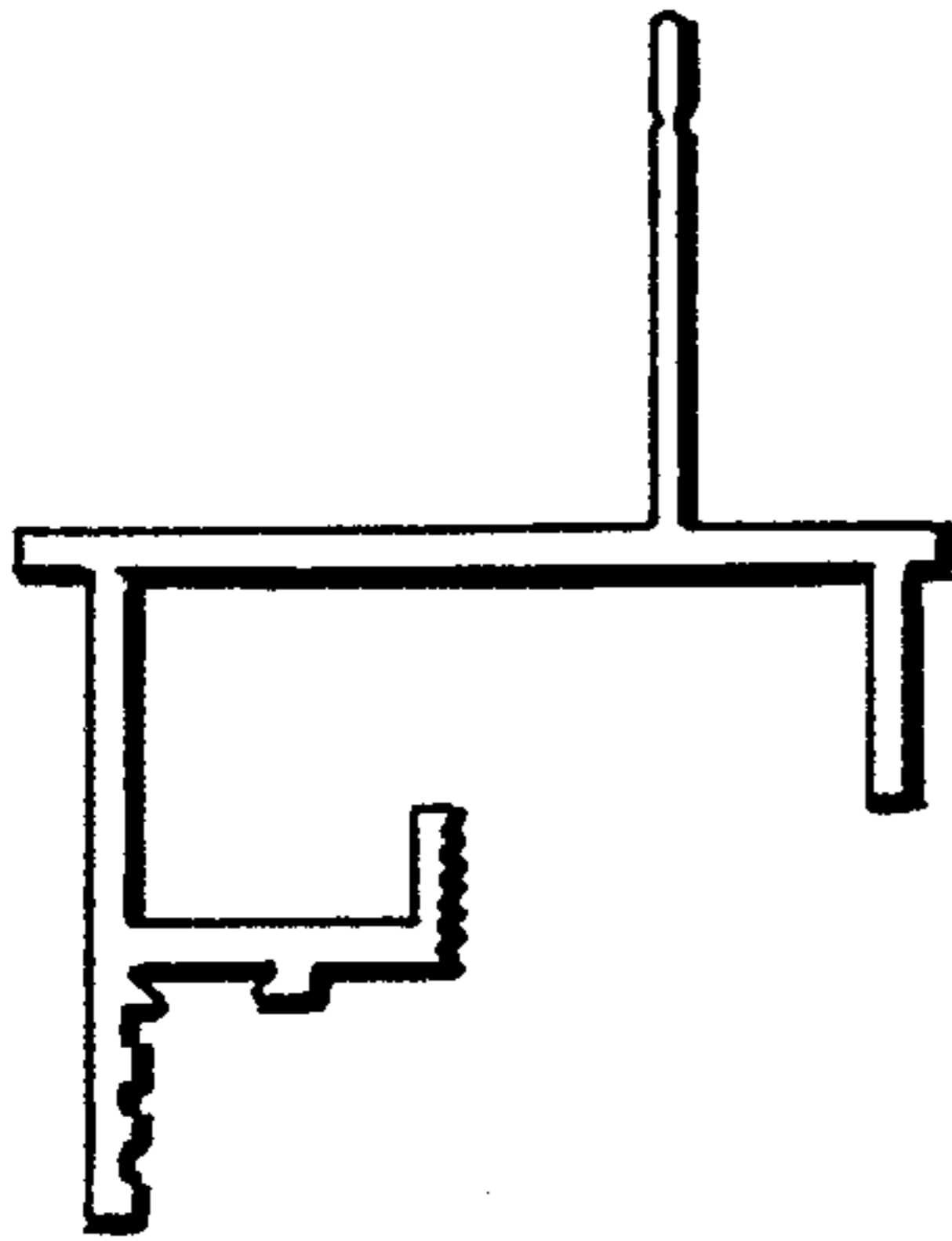
FIG. 1 is a perspective top view of the frame jamb extrusion showing my design;  
 FIG. 2 is a right side elevational view thereof cut away to indicate indeterminate length thereof;  
 FIG. 3 is a front elevation thereof in which the rear elevation view is a mirror image of the front elevation view;  
 FIG. 4 is a left side elevation broken away to indicate indeterminate length;  
 FIG. 5 is a top plan view thereof broken away to indicate indeterminate length; and  
 FIG. 6 is a bottom plan view thereof broken away to indicate indeterminate length.



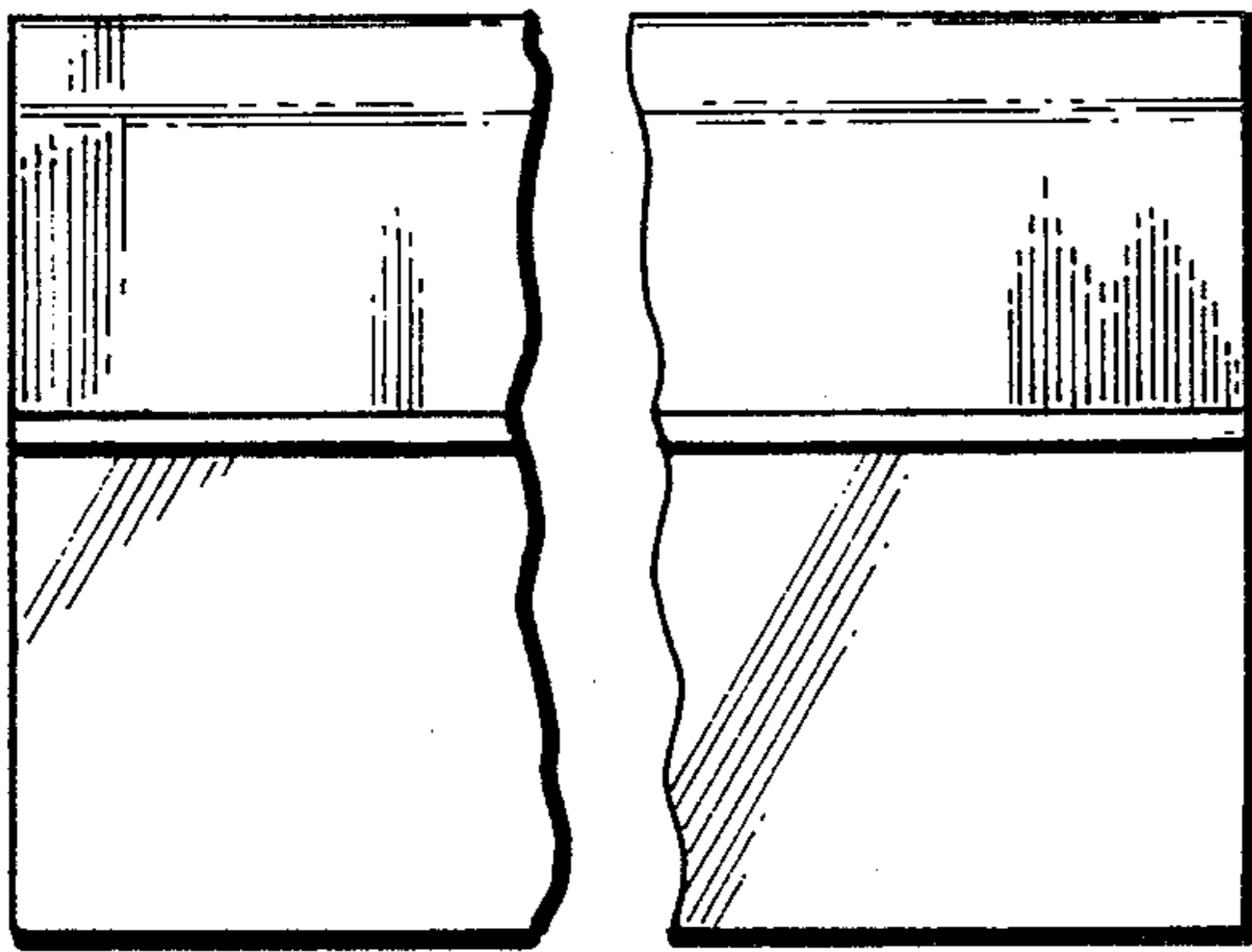
**FIG. 1**



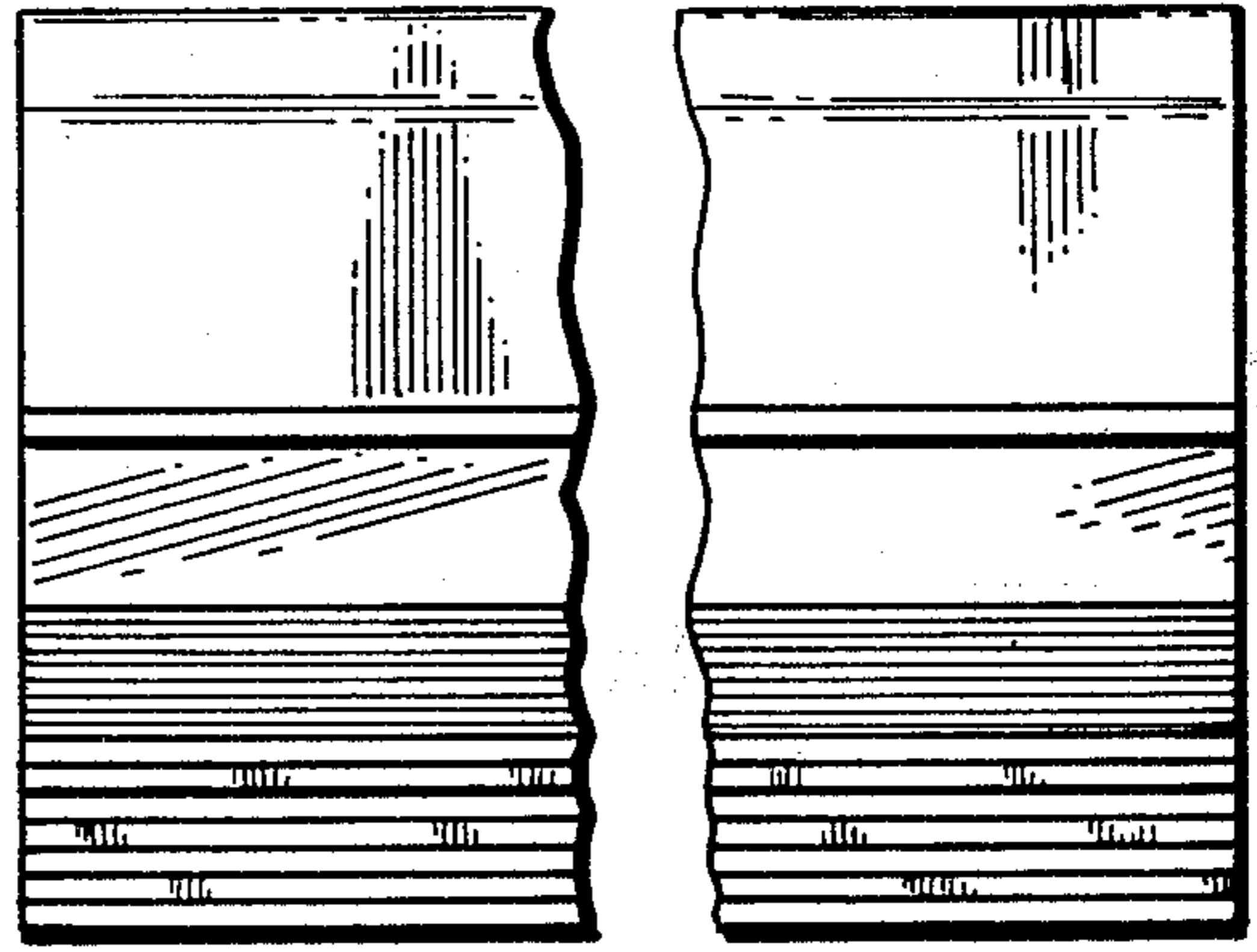
**FIG. 2**



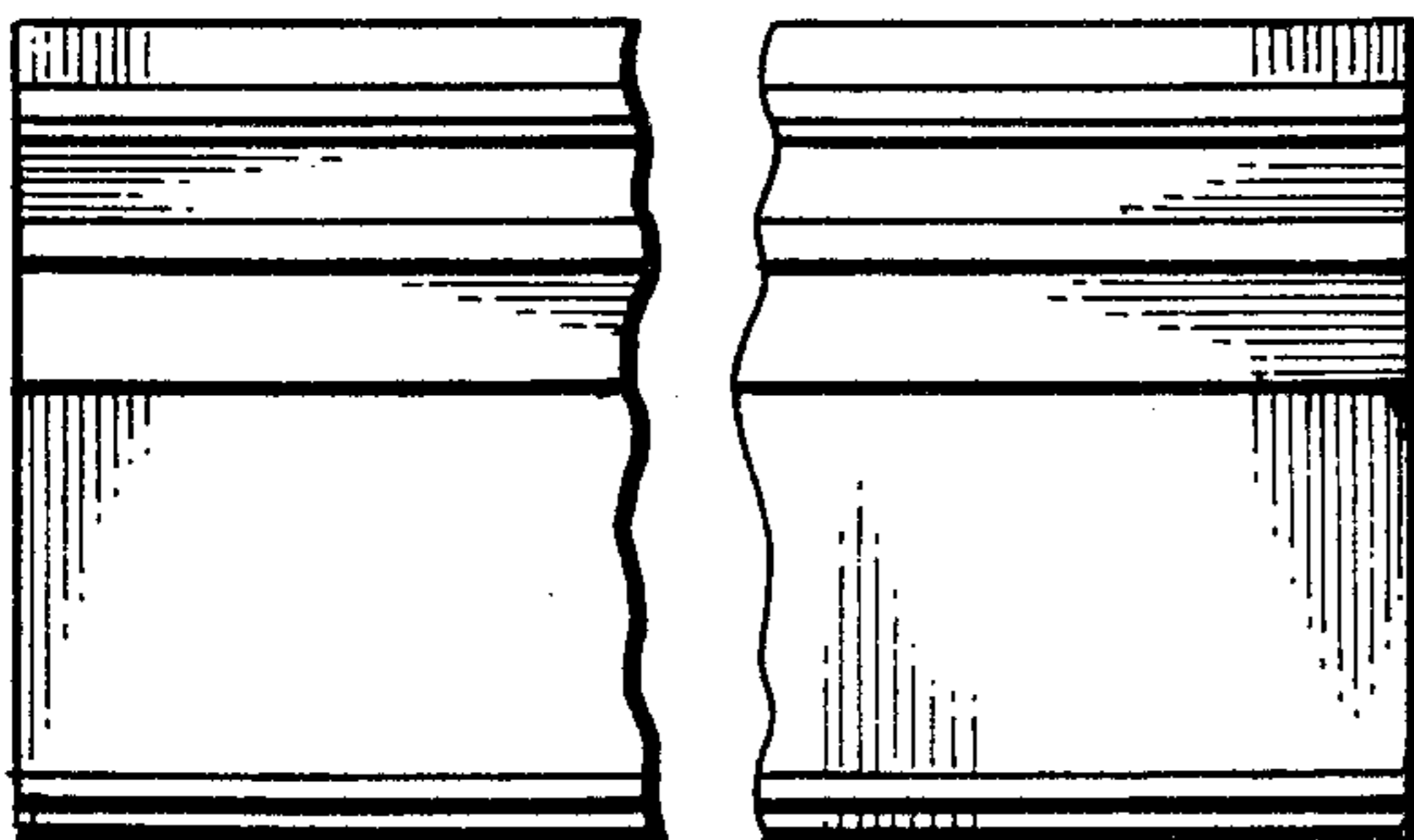
**FIG. 3**



**FIG. 4**



**FIG. 5**



**FIG. 6**

