

[54] **MEETING RAIL EXTRUSION**

[76] **Inventor: Joseph C. Bancroft, 812 Sweetwater Club Blvd., Longwood, Fla. 32779**

[\*] **Notice: The portion of the term of this patent subsequent to Oct. 14, 2000 has been disclaimed.**

[\*\*] **Term: 14 Years**

[21] **Appl. No.: 720,616**

[22] **Filed: Apr. 5, 1985**

[52] **U.S. Cl. .... D25/74**

[58] **Field of Search ..... D25/52, 73-76; 49/419, 504, DIG. 2; 52/202**

[56] **References Cited**

**U.S. PATENT DOCUMENTS**

D. 251,137 2/1979 Bancroft et al. .... D25/74  
D. 251,449 3/1979 Bancroft et al. .... D25/74

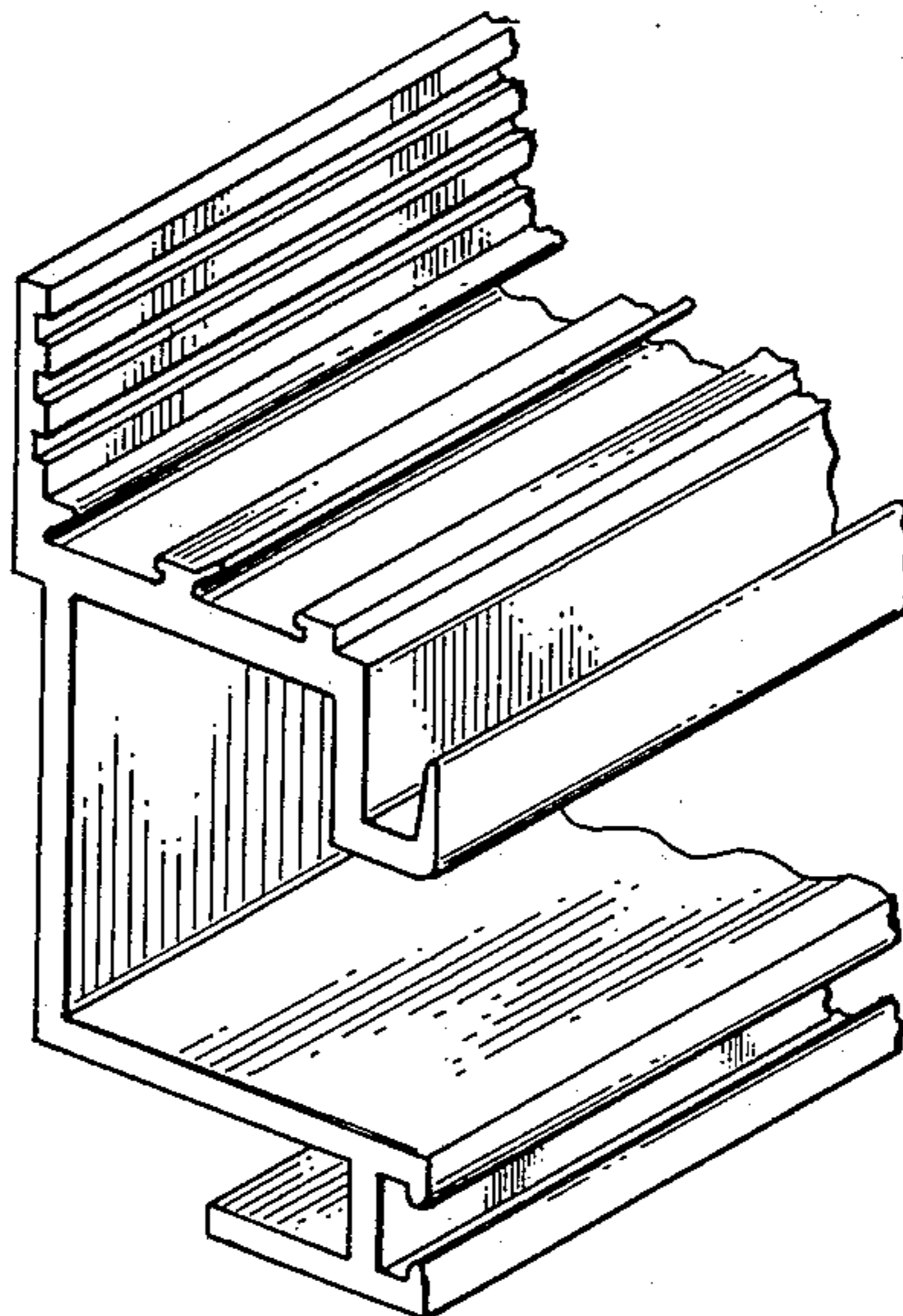
*Primary Examiner*—A. Hugo Word  
*Attorney, Agent, or Firm*—Macdonald J. Wiggins

[57] **CLAIM**

The ornamental design for a meeting rail extrusion, as shown and described.

**DESCRIPTION**

FIG. 1 is a fragmentary top perspective view of the meeting rail extrusion showing my design;  
FIG. 2 is a left elevational view thereof broken away to indicate indeterminate length;  
FIG. 3 is a right side elevational view thereof broken away to indicate indeterminate length; and  
FIG. 4 is a front elevational view thereof to a reduced scale in which the rear elevational view is a mirror image of the front view.



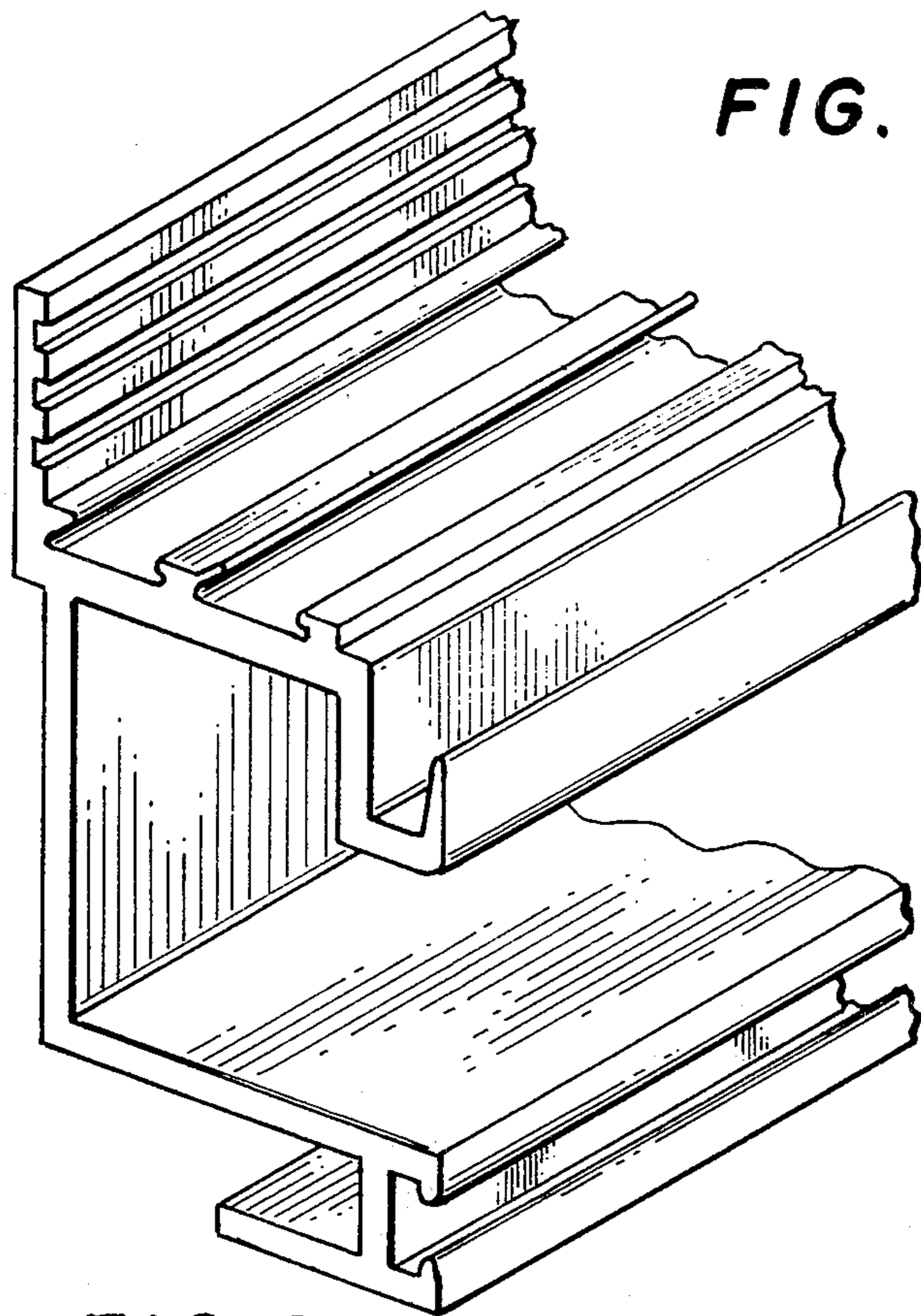


FIG. 1

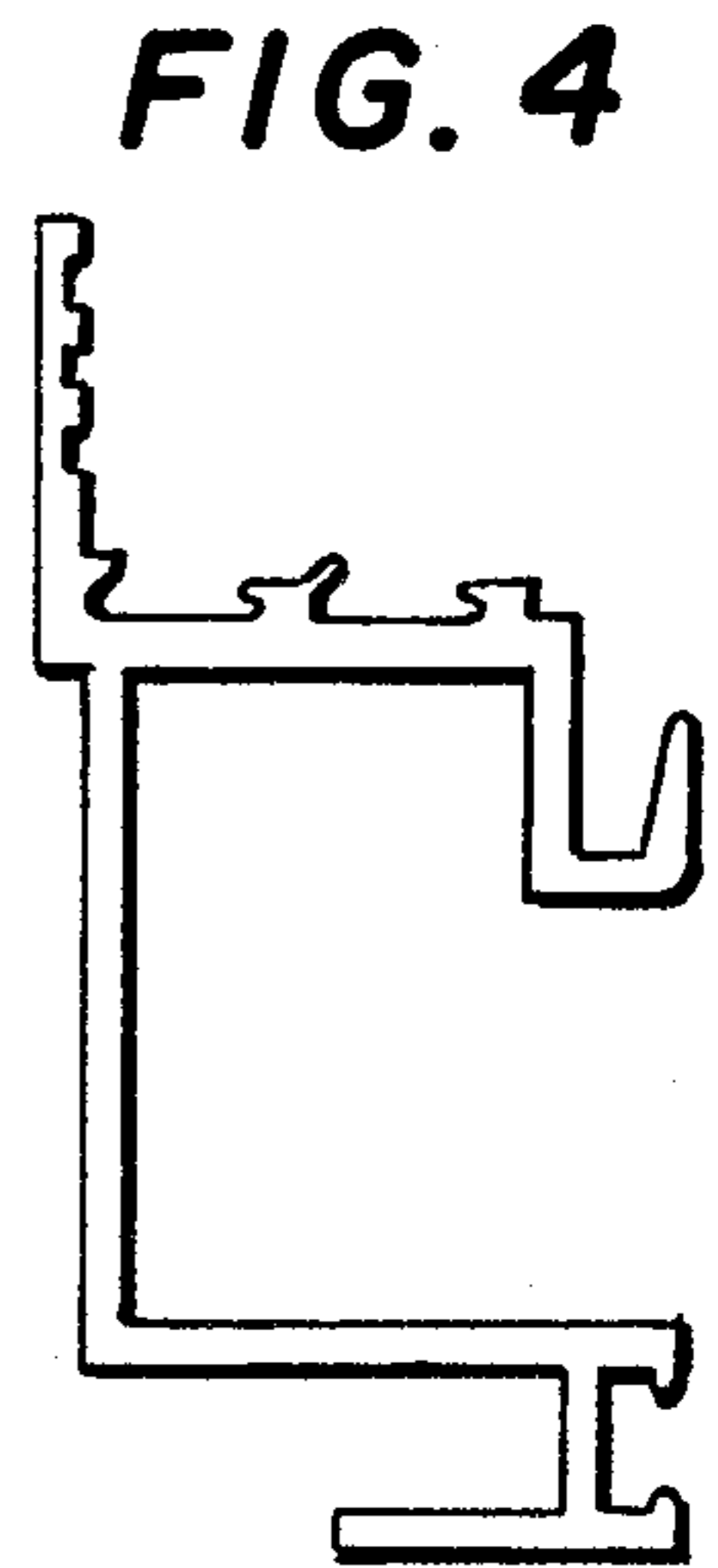


FIG. 4

FIG. 2

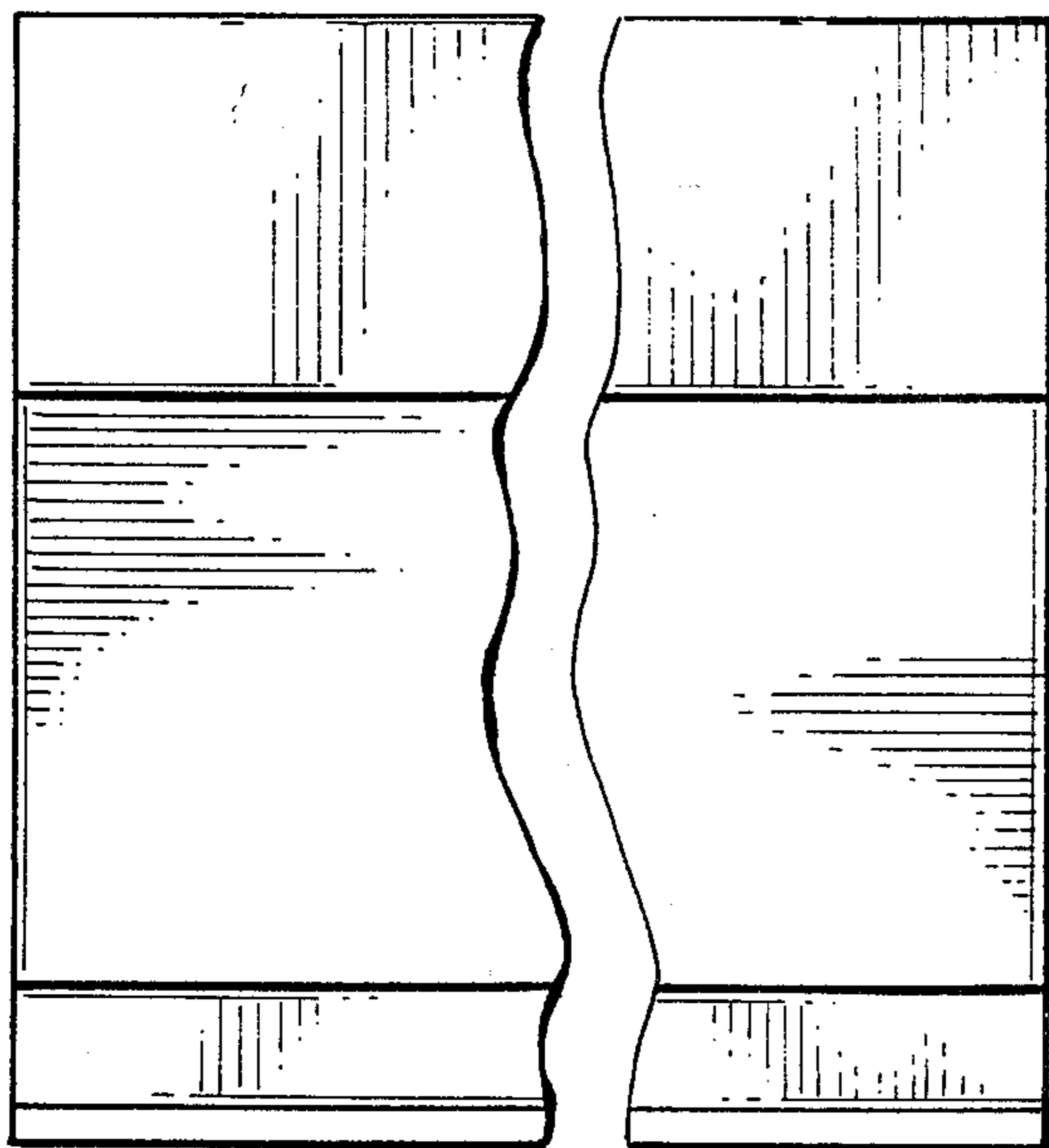


FIG. 3

