

[54] MEETING RAIL EXTRUSION

[76] Inventor: Joseph C. Bancroft, 812 Sweetwater Club Blvd., Longwood, Fla. 32779

[\*] Notice: The portion of the term of this patent subsequent to Oct. 14, 2000 has been disclaimed.

[\*\*] Term: 14 Years

[21] Appl. No.: 556,365

[22] Filed: Nov. 30, 1983

[52] U.S. Cl. .... D25/74

[58] Field of Search ..... D25/52, 73-76; 49/419, 504, DIG. 2; 52/202

[56] References Cited

U.S. PATENT DOCUMENTS

D. 251,137 2/1979 Bancroft et al. .... D25/74  
D. 251,449 3/1979 Bancroft et al. .... D25/74

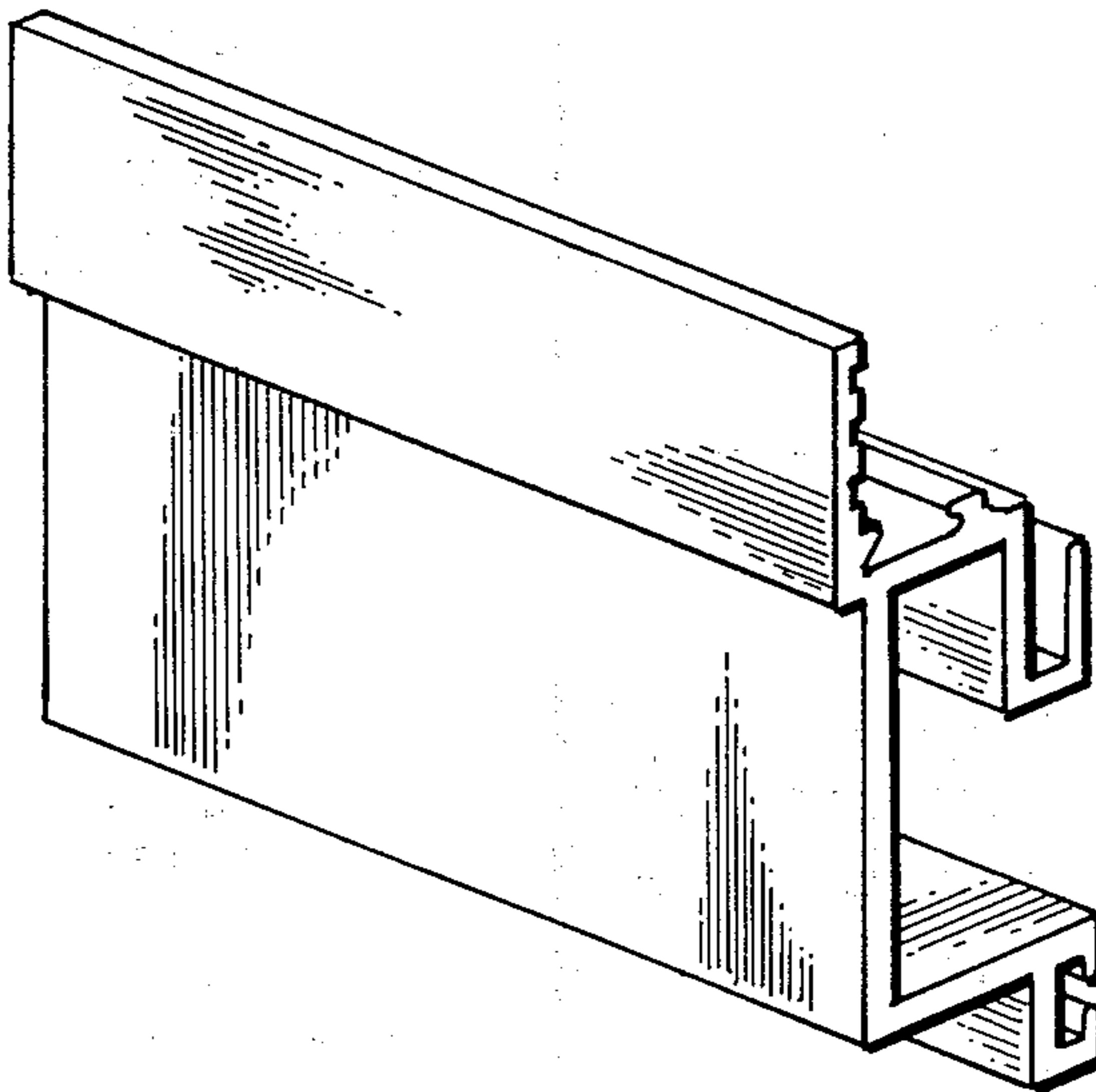
Primary Examiner—A. Hugo Word  
Attorney, Agent, or Firm—Macdonald J. Wiggins

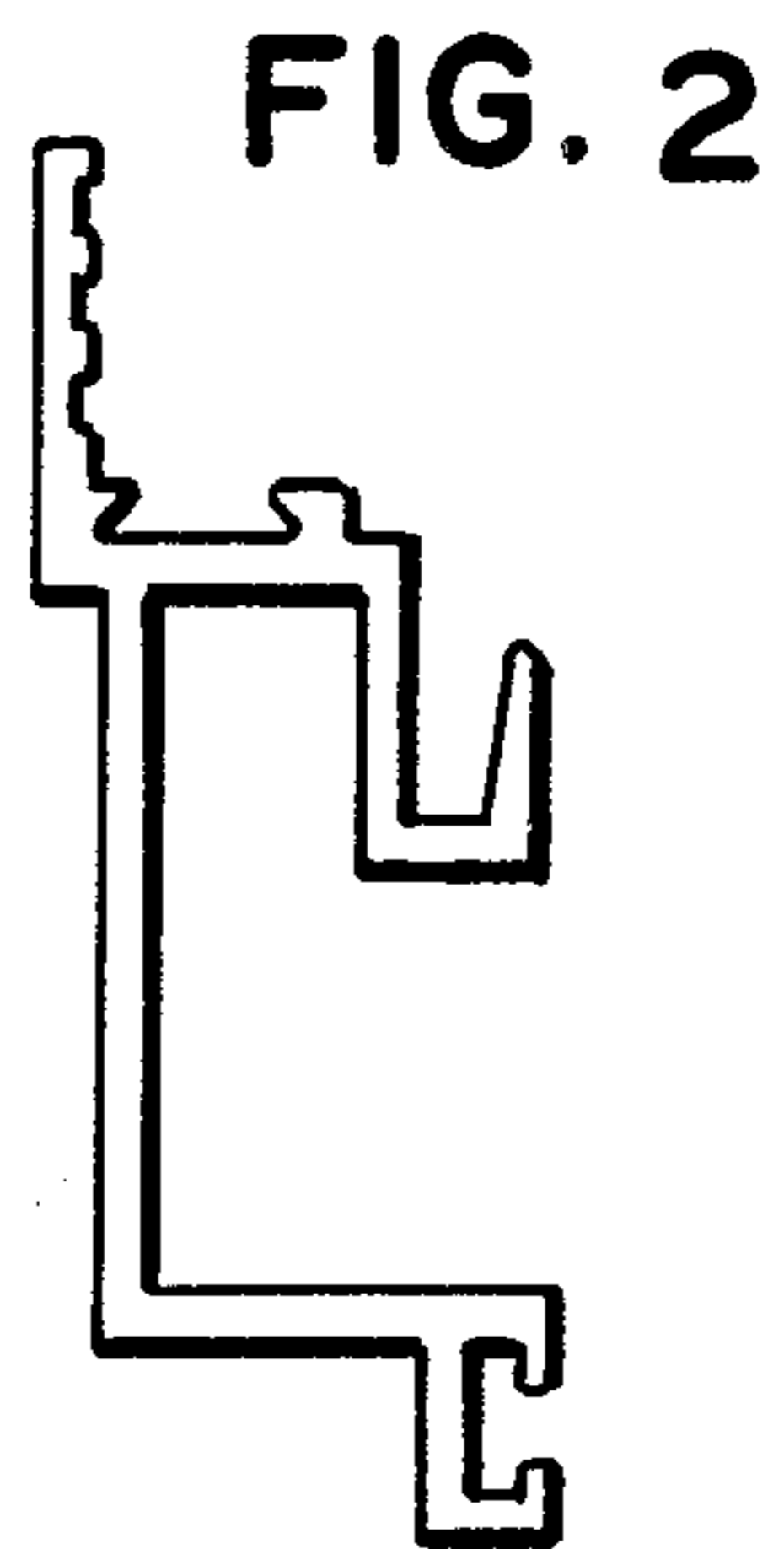
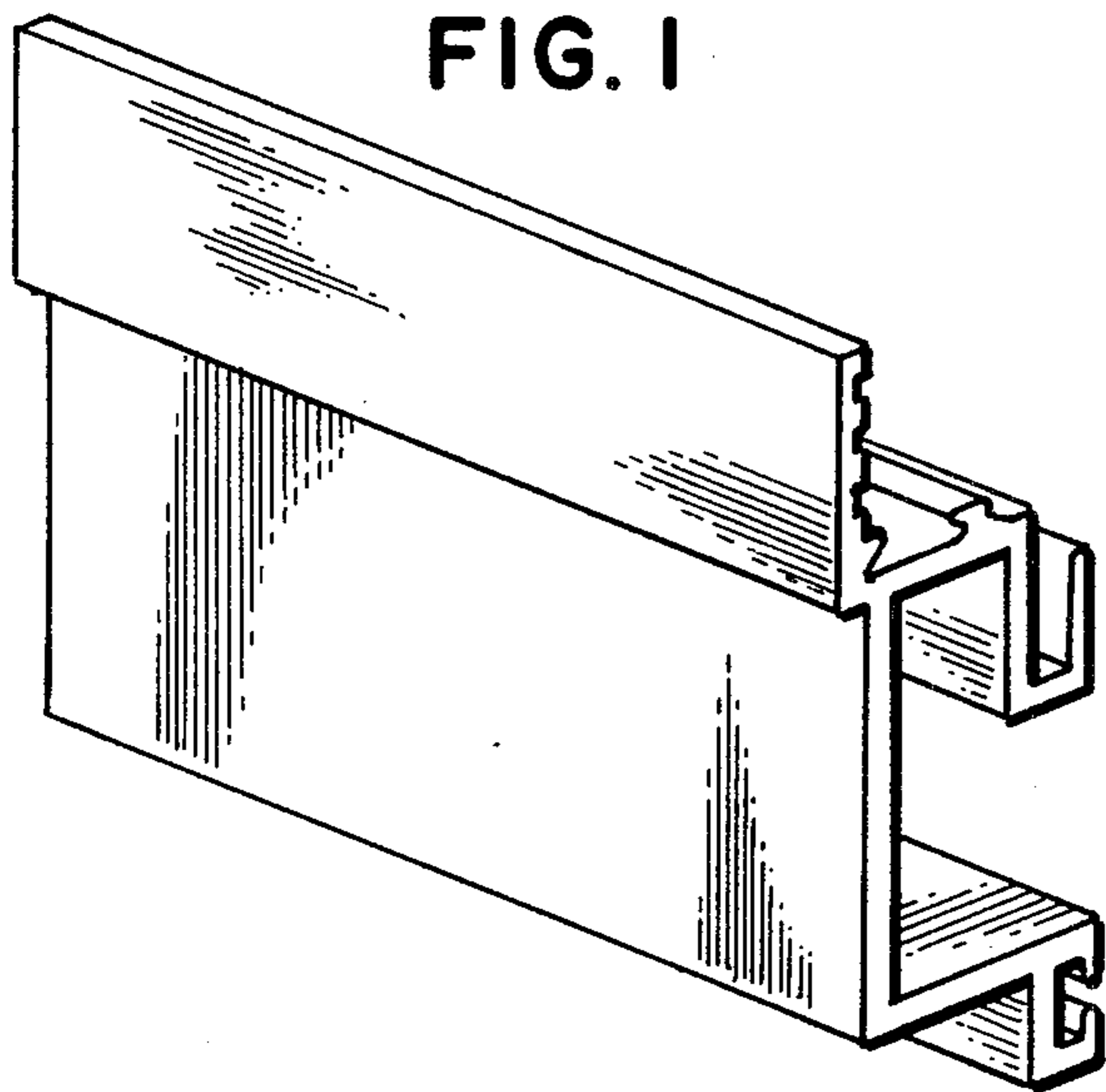
[57] CLAIM

The ornamental design for a meeting rail extrusion, as shown and described.

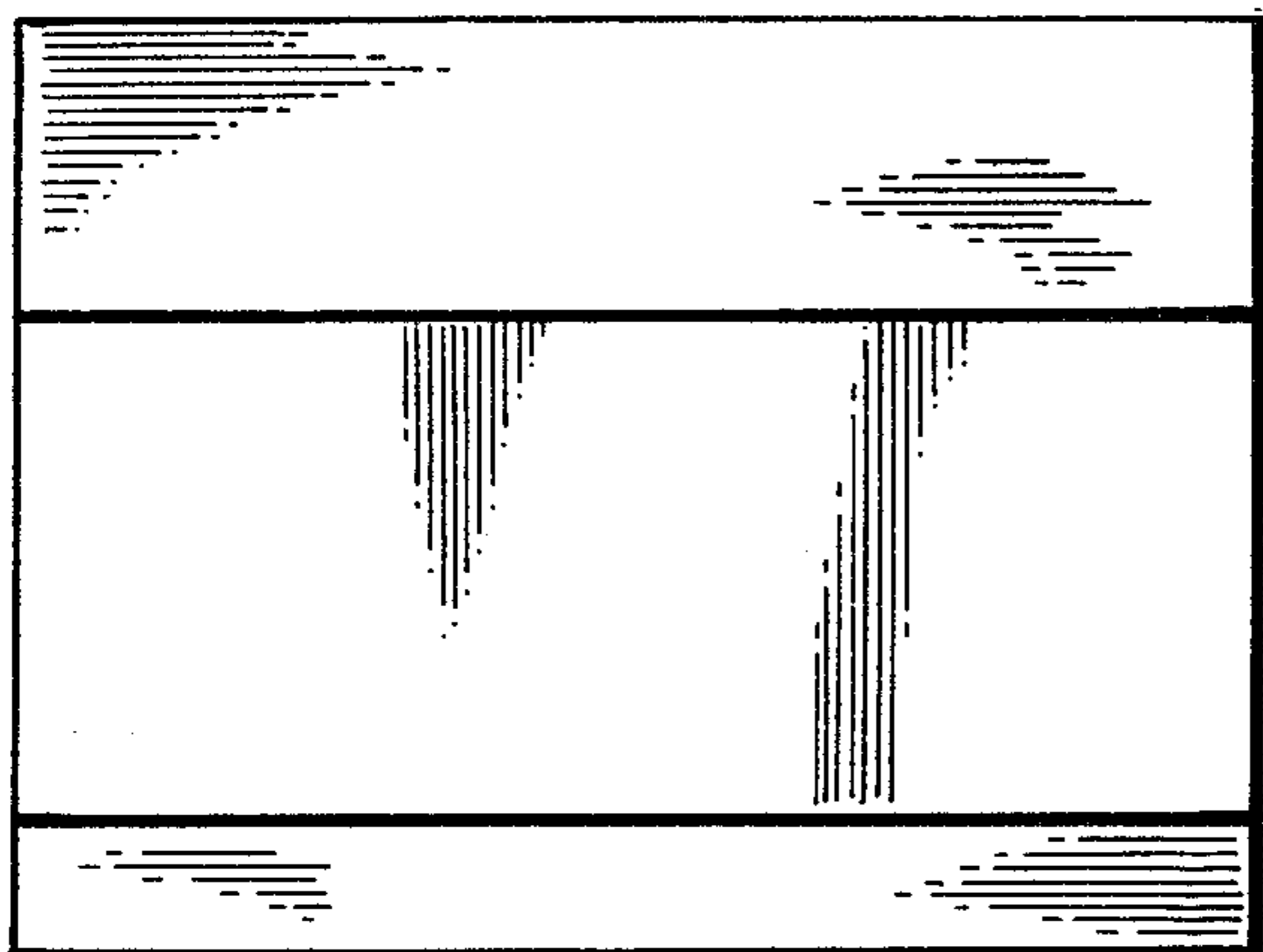
DESCRIPTION

FIG. 1 is a perspective view of the meeting rail extrusion showing my new design;  
FIG. 2 is a right side elevation thereof;  
FIG. 3 is a front elevation thereof;  
FIG. 4 is a left side elevation thereof;  
FIG. 5 is a rear elevation view thereof;  
FIG. 6 is a top plan view thereof; and  
FIG. 7 is a bottom plan view thereof.

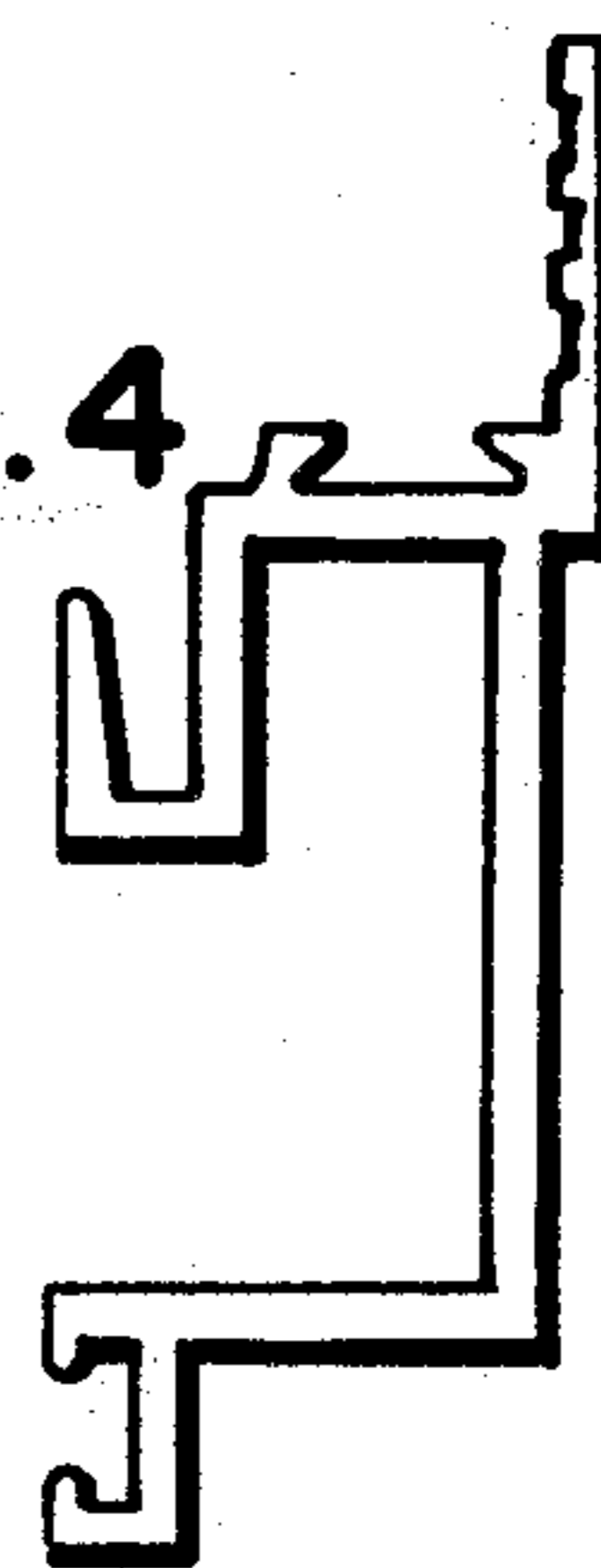




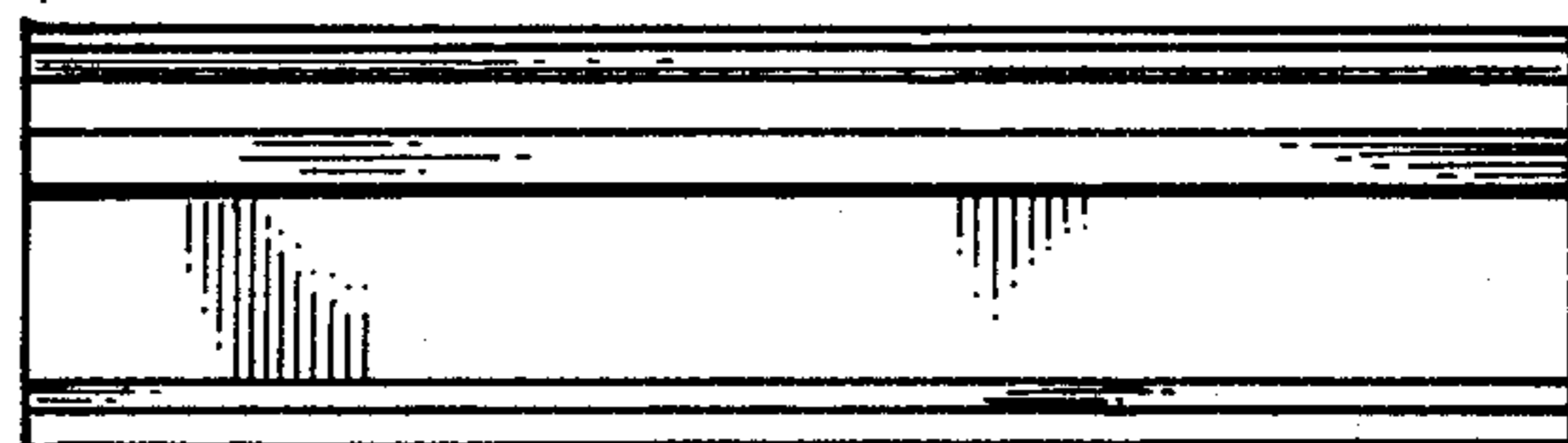
**FIG. 3**



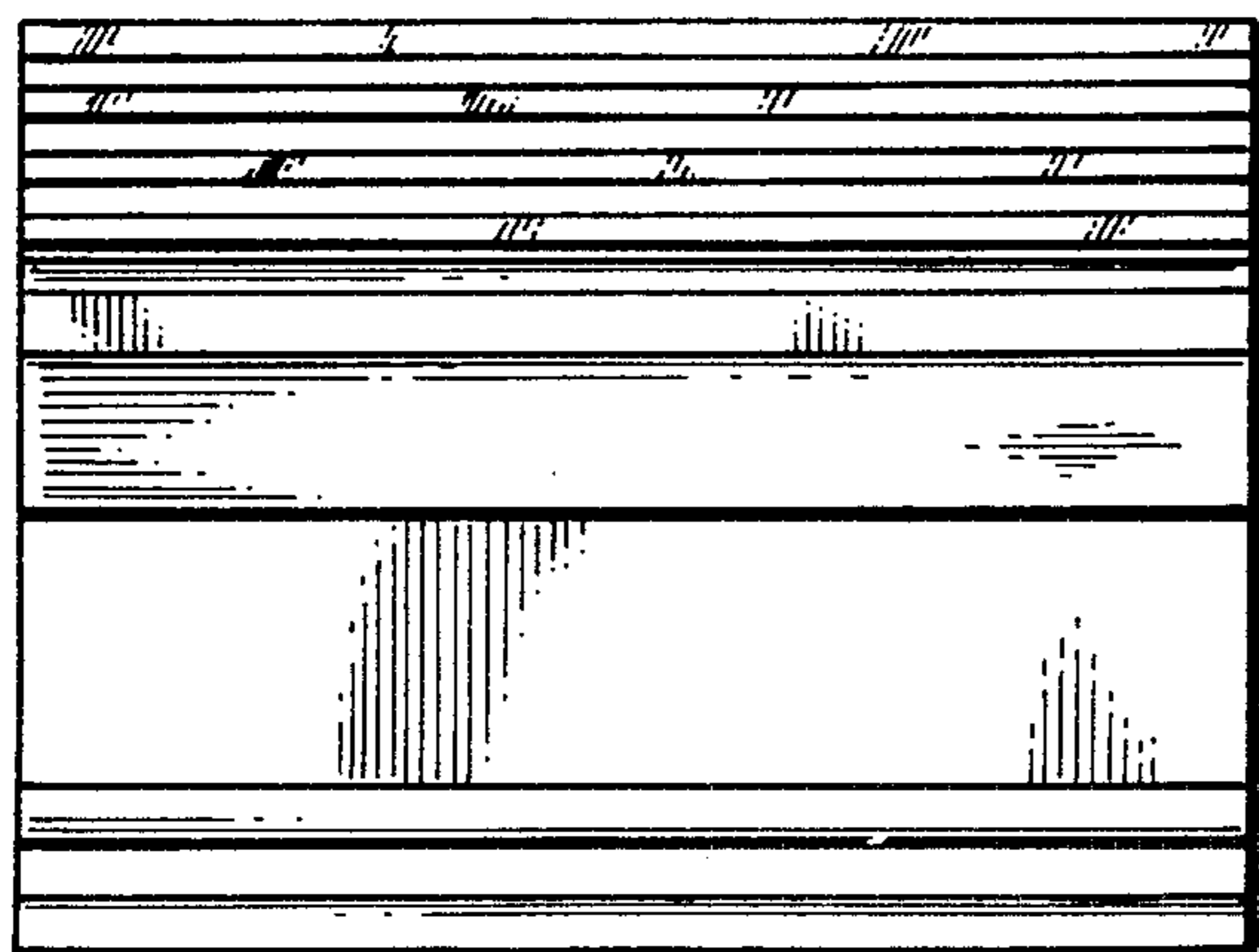
**FIG. 4**



**FIG. 6**



**FIG. 5**



**FIG. 7**

