

[54] FRAME SILL EXTRUSION

[76] Inventor: Joseph C. Bancroft, 812 Sweetwater Club Blvd., Longwood, Fla. 32779

[\*] Notice: The portion of the term of this patent subsequent to Oct. 14, 2000 has been disclaimed.

[\*\*] Term: 14 Years

[21] Appl. No.: 556,363

[22] Filed: Nov. 30, 1983

[52] U.S. Cl. .... D25/74

[58] Field of Search ..... D25/52, 73-76; 49/419, 504, DIG. 2; 52/202

[56] References Cited

U.S. PATENT DOCUMENTS

D. 251,447 3/1979 Bancroft et al. .... D25/74

D. 251,448 3/1979 Bancroft et al. .... D25/74  
D. 251,450 3/1979 Bancroft et al. .... D25/74  
D. 251,504 4/1979 Bancroft et al. .... D25/74  
4,048,774 9/1977 Yamamoto ..... D25/74 X

Primary Examiner—A. Hugo Word  
Attorney, Agent, or Firm—Macdonald J. Wiggins

[57] CLAIM

The ornamental design for a frame sill extrusion, as shown and described.

DESCRIPTION

FIG. 1 is a perspective view of the frame sill extrusion showing my new design;  
FIG. 2 is a right side elevation thereof;  
FIG. 3 is a front elevation thereof;  
FIG. 4 is a left side elevation thereof;  
FIG. 5 is a rear elevation view thereof;  
FIG. 6 is a top plan view thereof; and  
FIG. 7 is a bottom plan view thereof.

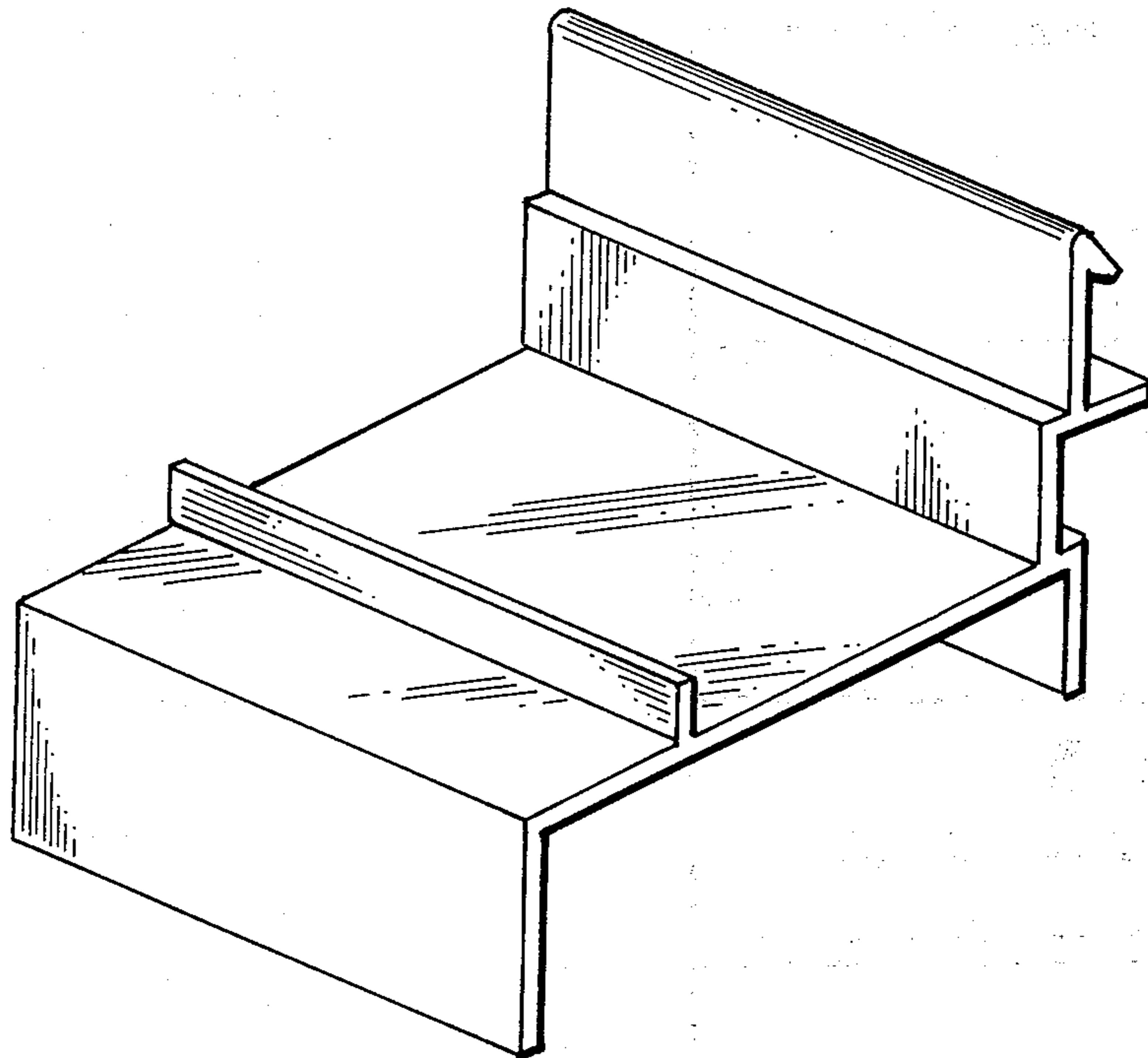


FIG. 1

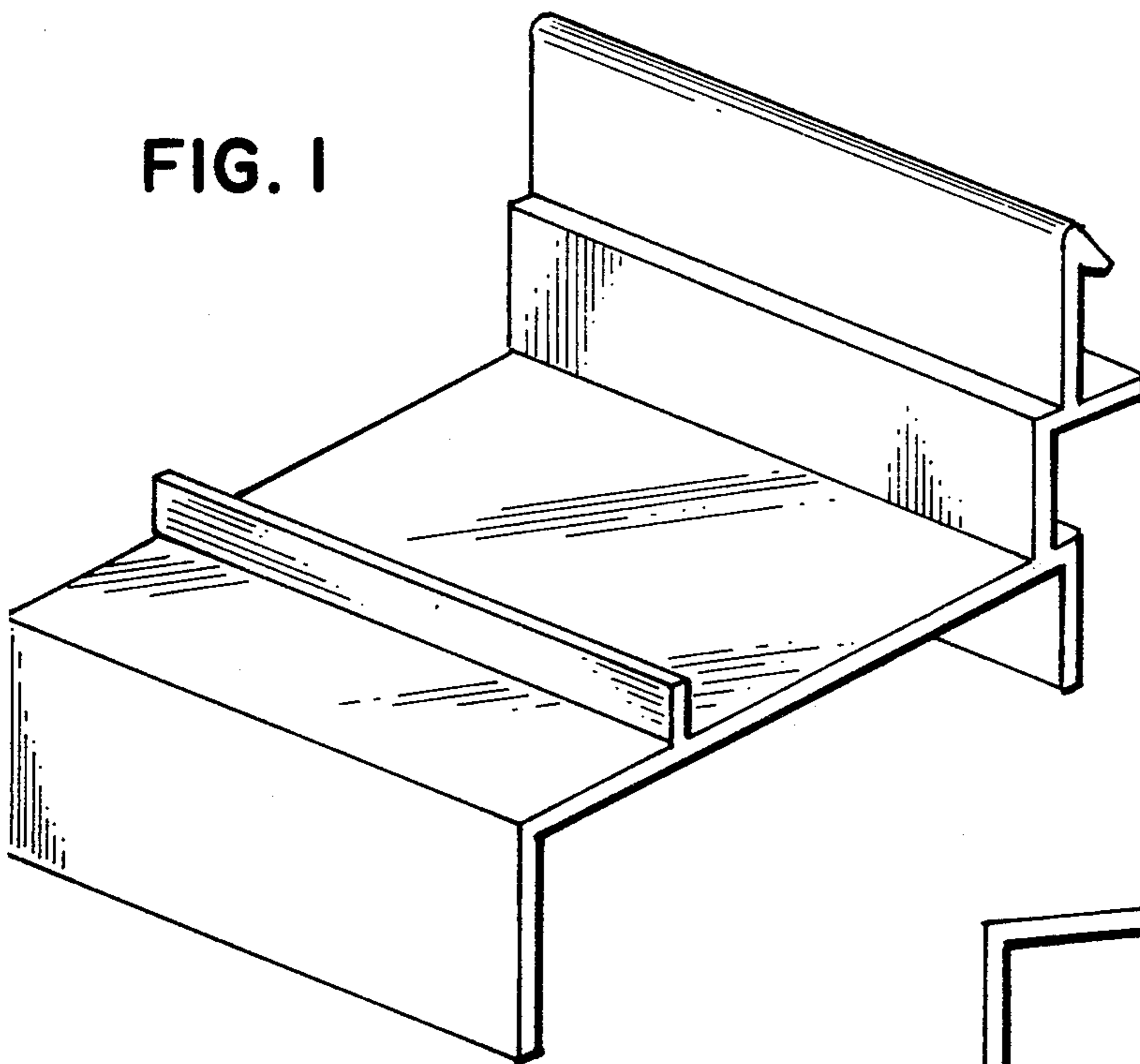


FIG. 2

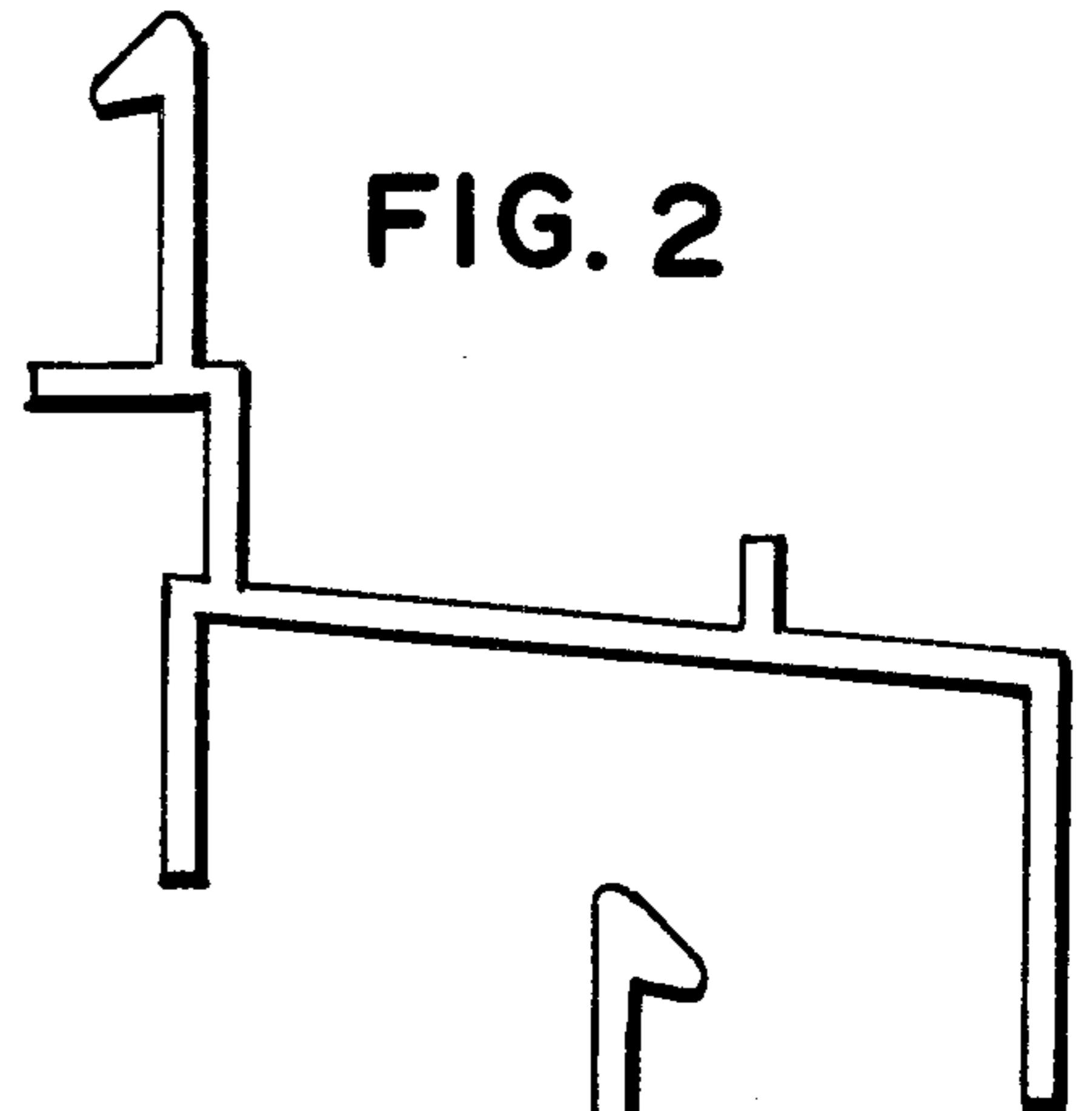


FIG. 4

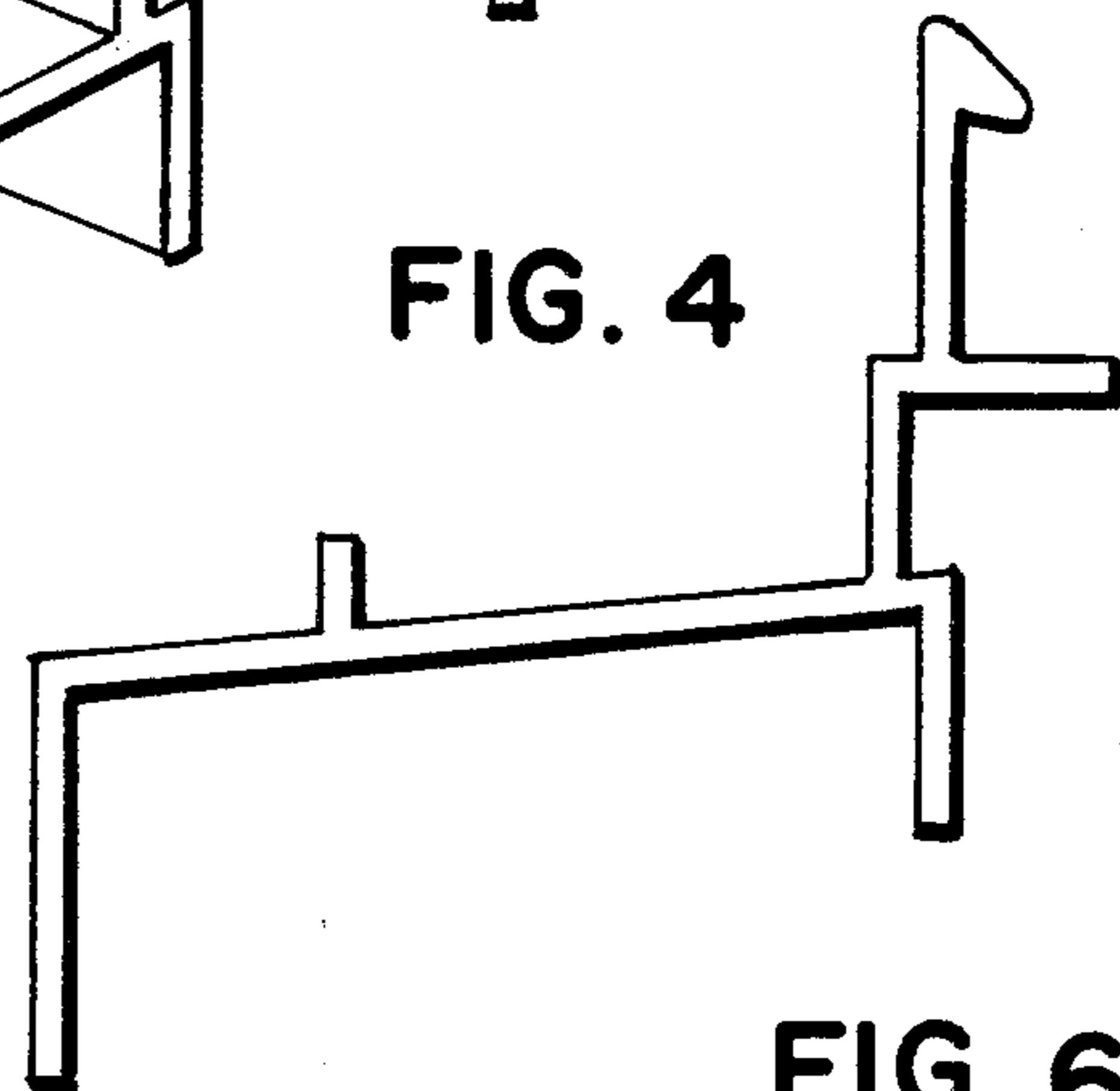


FIG. 3

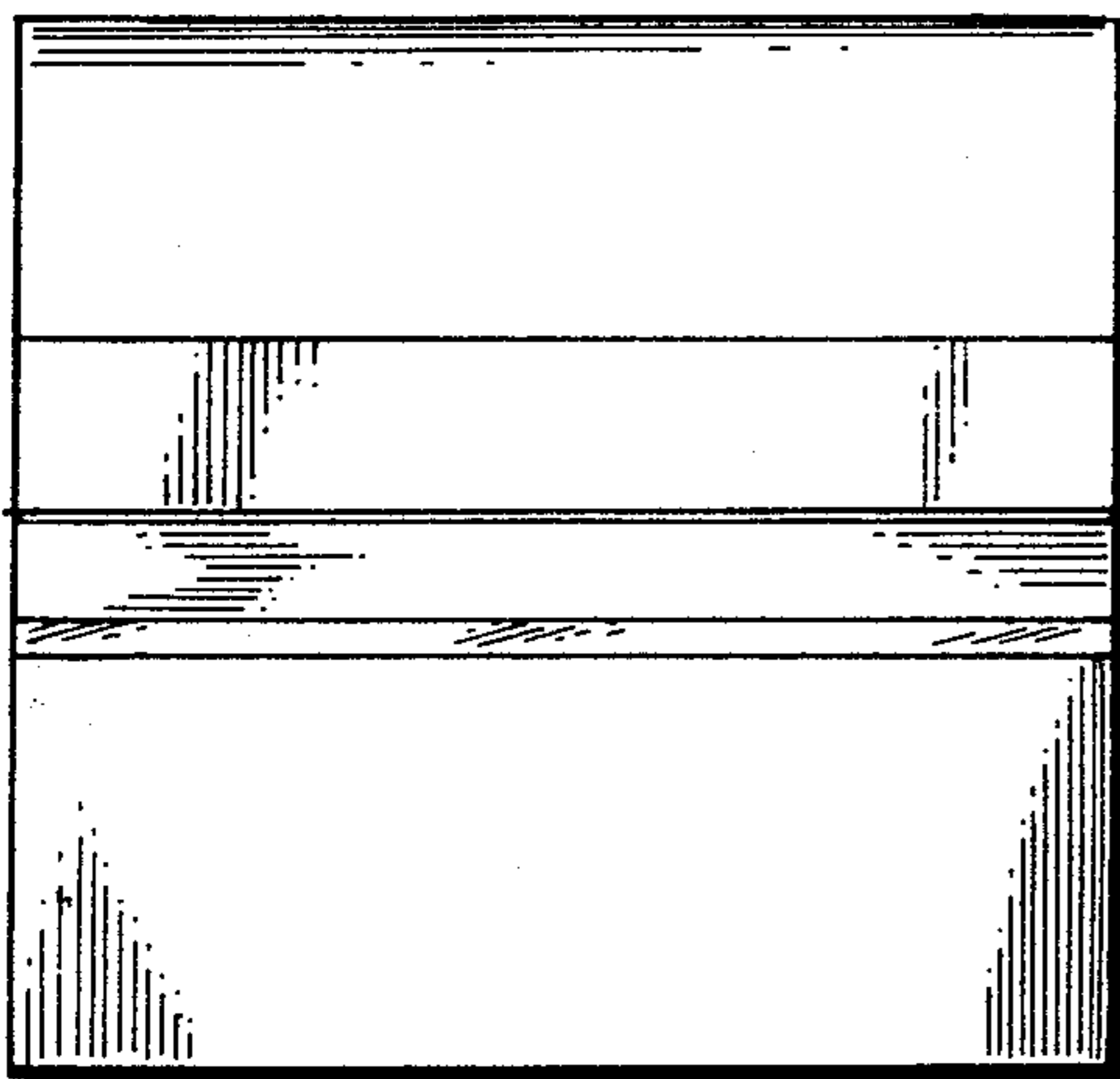


FIG. 5

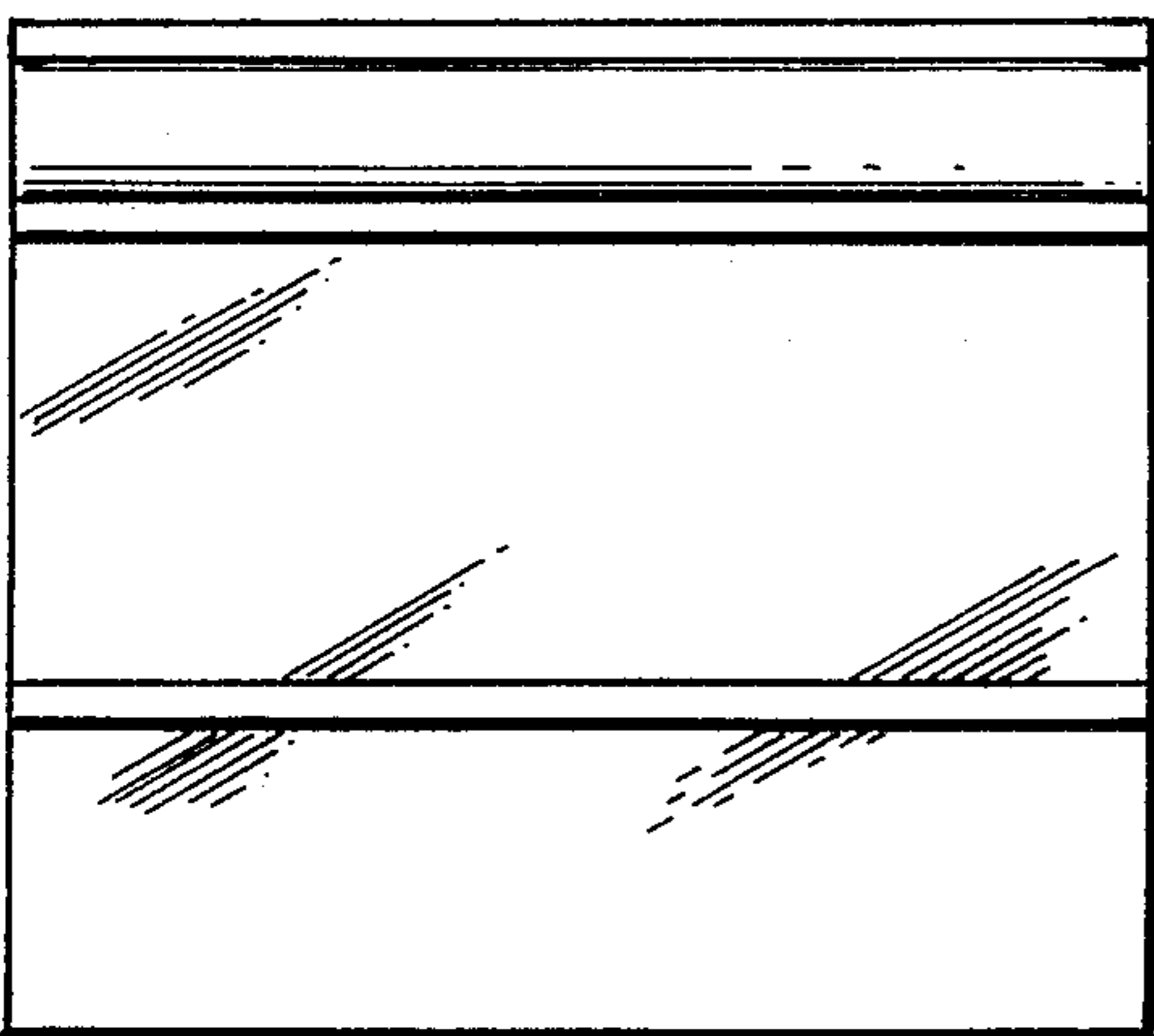


FIG. 6

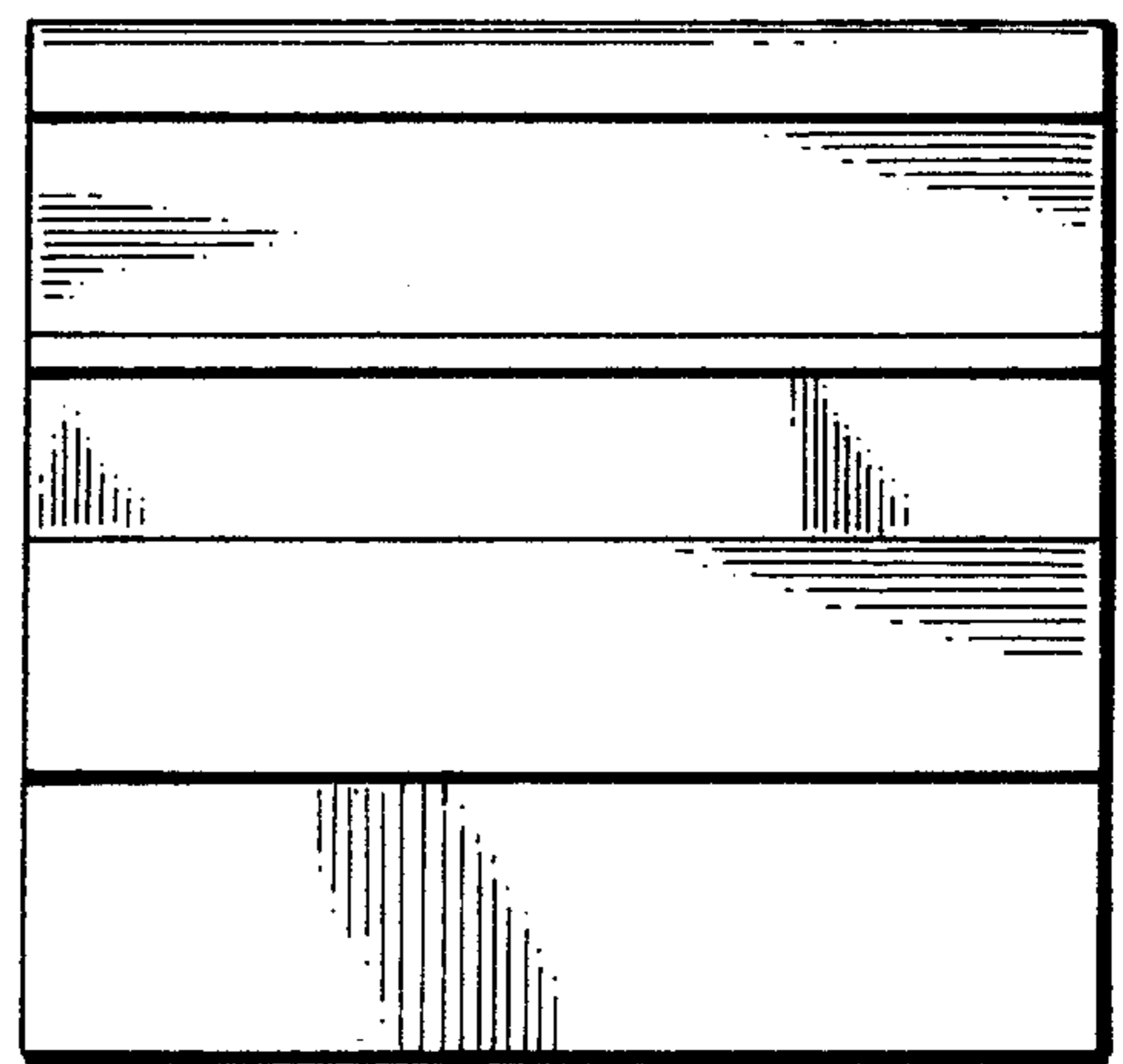


FIG. 7

