

[54] ADJUSTABLE JOINT FOR A KNEE BRACE

[75] Inventors: Darryl L. Womack, Lakewood; Ralph B. Noell, Denver; Larry R. Bradshaw, Arvada, all of Colo.

[73] Assignee: Scott Orthopedics, Inc., Denver, Colo.

[**] Term: 14 Years

[21] Appl. No.: 616,978

[22] Filed: Jun. 4, 1984

[52] U.S. Cl. D24/64

[58] Field of Search 128/80 C, 80 F, 88, 128/87 R, 80 R; D24/64

[56] References Cited

U.S. PATENT DOCUMENTS

D. 269,379	6/1983	Bledsoe	D24/64
1,847,823	3/1932	Dresser	128/80 F
2,570,382	10/1951	Ruetting	128/80 F
3,669,105	6/1972	Castiglia	128/80 C
3,779,654	12/1973	Horne	128/80 C X
4,252,111	2/1981	Fletcher et al.	128/80 F
4,337,764	7/1982	Lerman	128/80 F
4,372,298	2/1983	Lerman	128/88 X

OTHER PUBLICATIONS

Catalogue literature of Pope Brace Company, Kankakee, Ill. p. 9.

Drawing of prior art Non-Adjustable Joint.

Primary Examiner—Catherine E. Kemper
Attorney, Agent, or Firm—W. Scott Carson

[57] CLAIM

The ornamental design for a adjustable joint for a knee brace, as shown and described.

DESCRIPTION

FIG. 1 is a perspective view of a adjustable joint for a knee brace showing our new design;

FIG. 2 is a front elevational view thereof;

FIG. 3 is a right side elevational view thereof taken along line 3—3 of FIG. 2;

FIG. 4 is a left side elevational view thereof taken along line 4—4 of FIG. 2;

FIG. 5 is a rear elevational view thereof taken along line 5—5 of FIG. 2;

FIG. 6 is a top plan view thereof taken along line 6—6 of FIG. 2;

FIG. 7 is a bottom plan view thereof taken along line 7—7 of FIG. 2;

The broken line disclosure of a knee brace in FIG. 1 is for illustrative purposes only and forms no part of the claimed design.

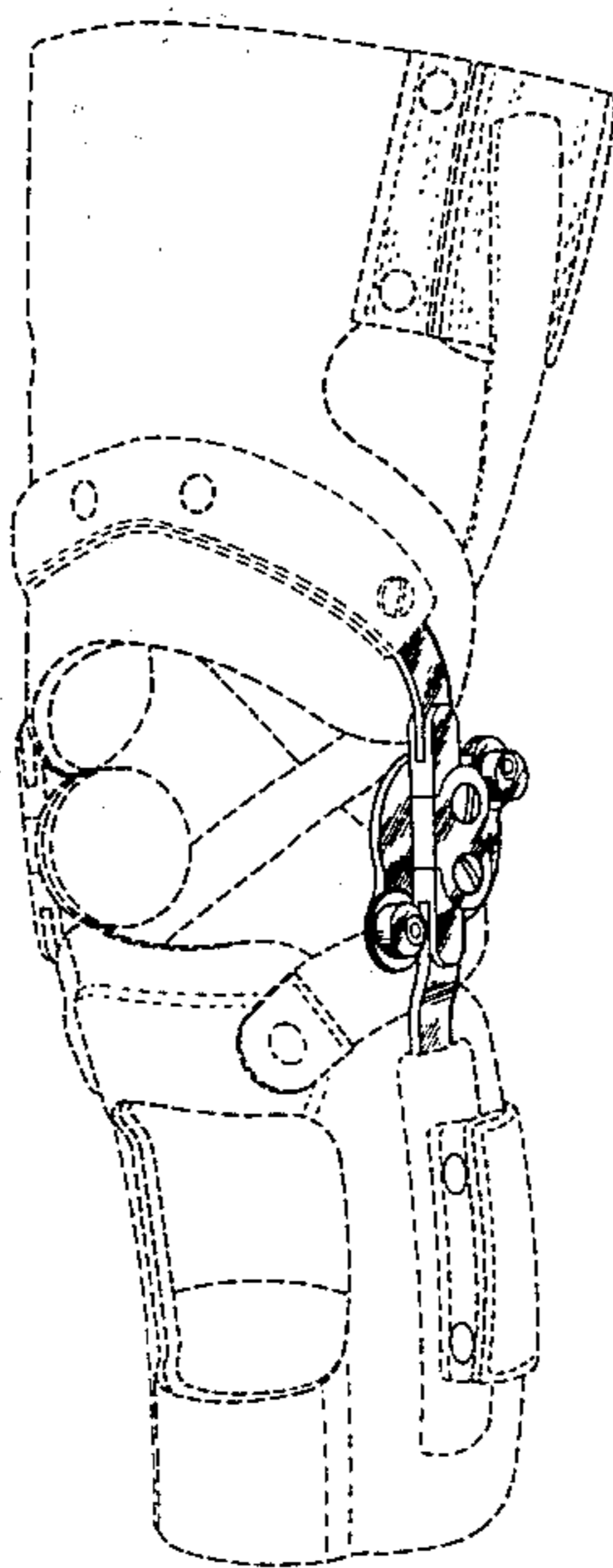
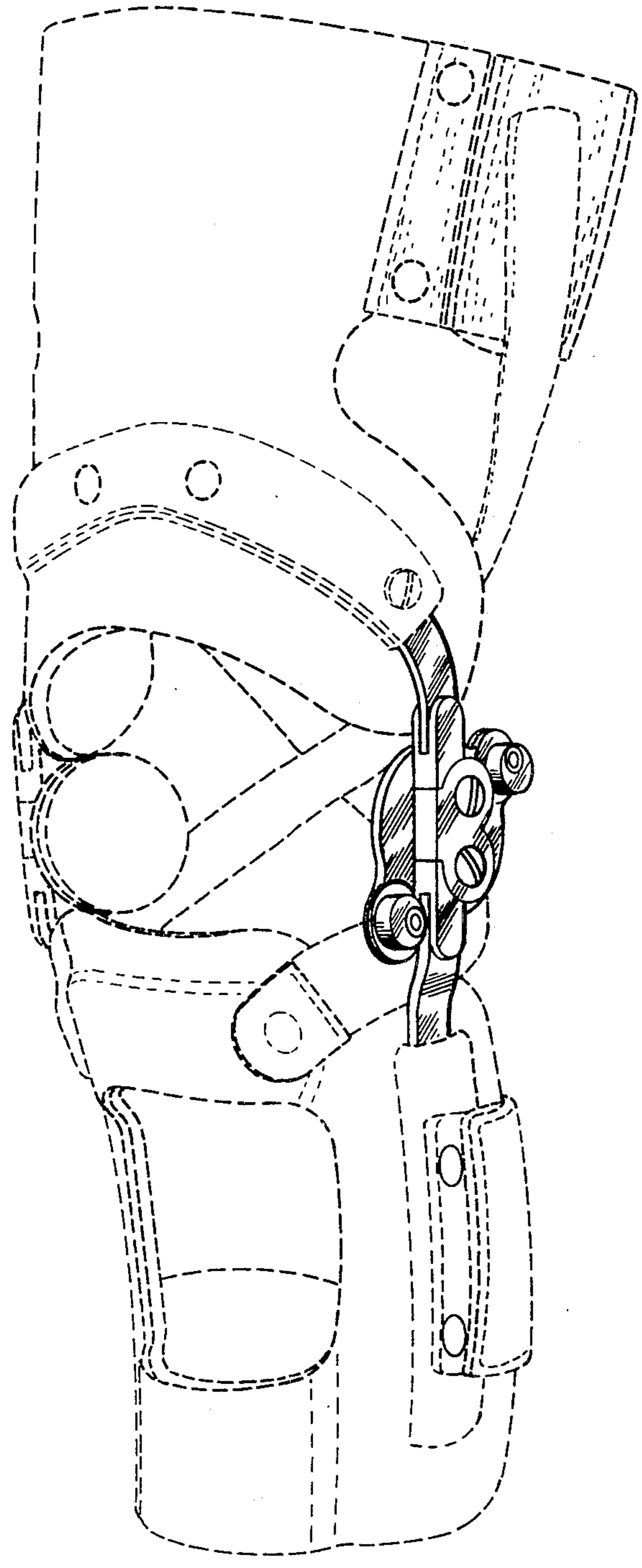


Fig. 1



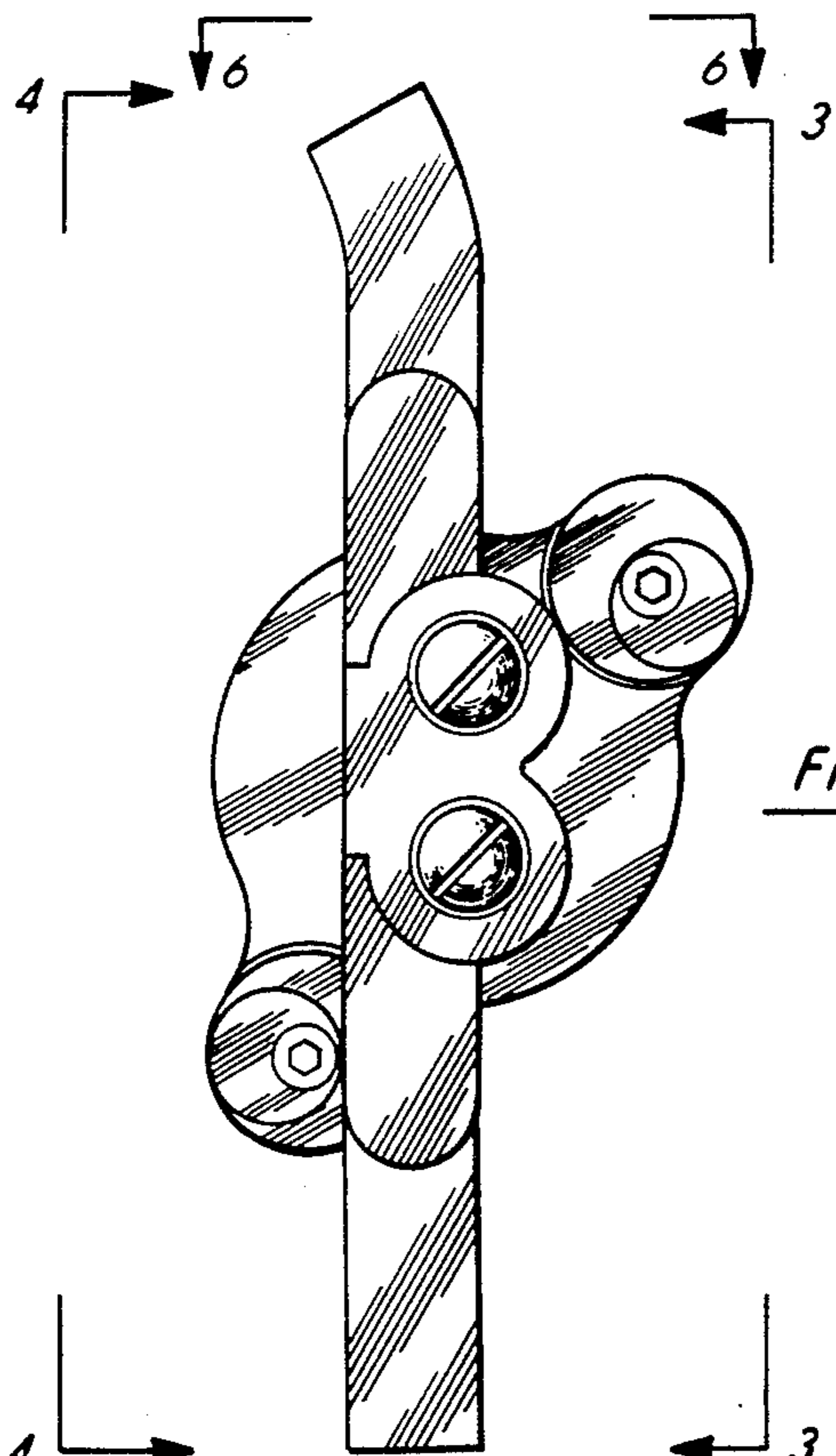


Fig. 2



Fig. 3

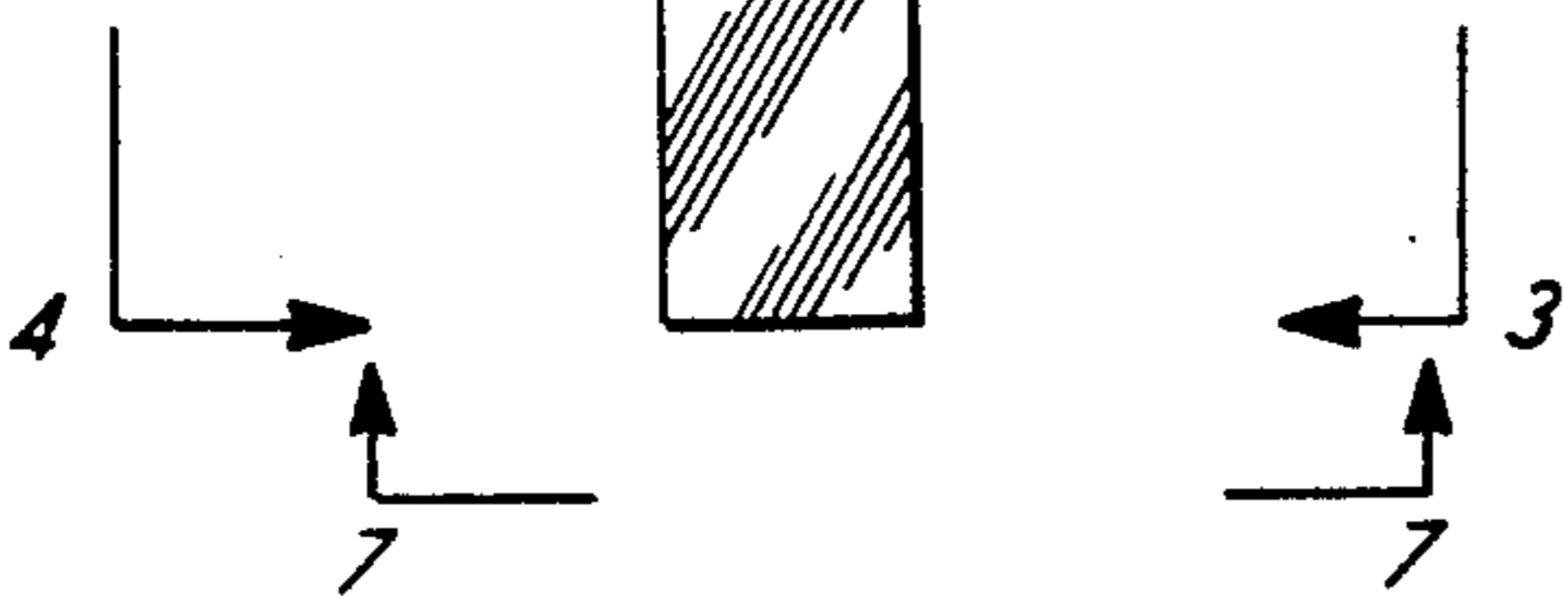


Fig. 4

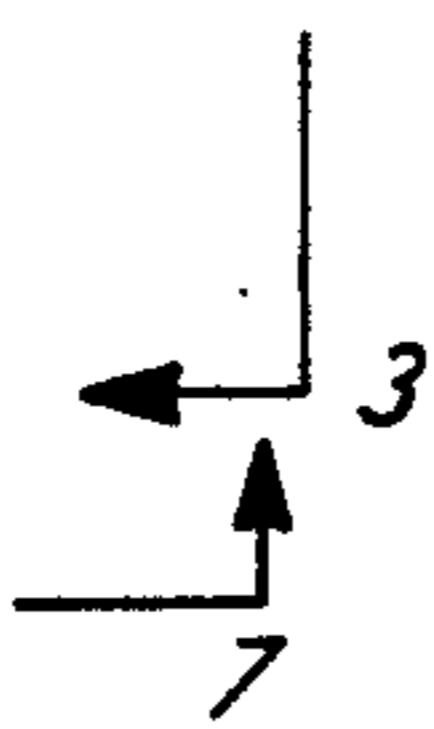


Fig. 5

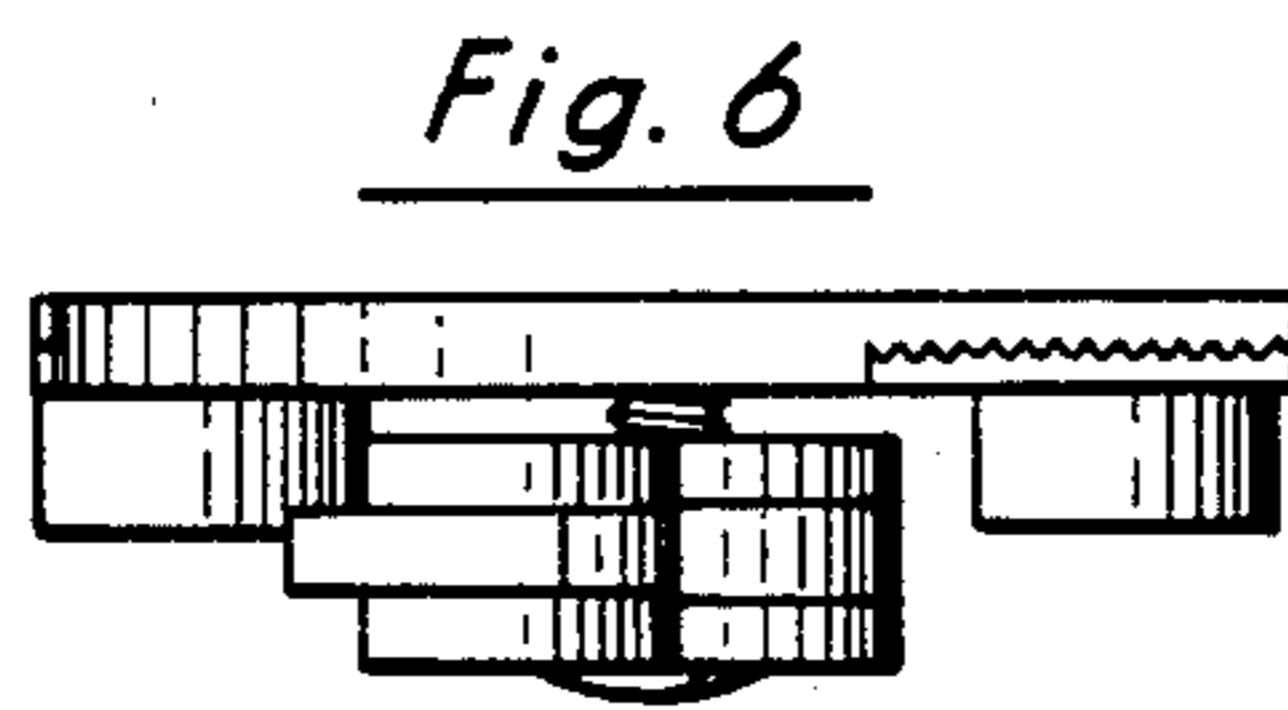


Fig. 6

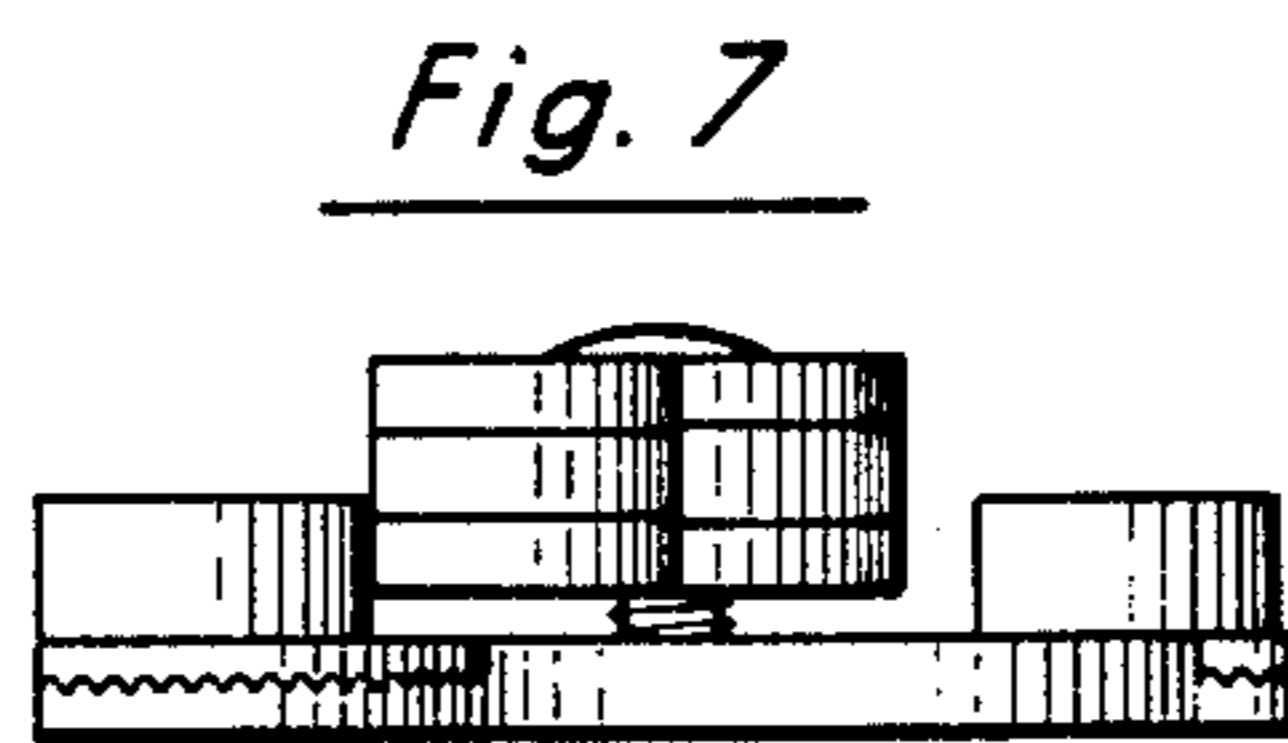


Fig. 7

