

[54] COMBINED MASSAGE AND ACUPRESSURE DISC

[76] Inventor: Robert S. Hilman, J1. Krekot
Dalam/Krekot Bunder 4, Proyek
"Jaya Molek" H-17, Jakarta,
Indonesia

[**] Term: 14 Years

[21] Appl. No.: 575,777

[22] Filed: Feb. 1, 1984

[52] U.S. Cl. D24/36

[58] Field of Search D24/36; 128/24 R, 44,
128/60, 61, 24.3, 57, 329 A, 907, 67, 329 R;
D6/308; D19/35

[56] References Cited

U.S. PATENT DOCUMENTS

2,633,844	4/1953	Herndon	128/60 X
4,233,966	11/1980	Takahashi	128/67
4,240,412	12/1980	James	128/67

Primary Examiner—A. Hugo Word
Assistant Examiner—Stella M. Reid

[57] CLAIM

The ornamental design for a combined massage and acupressure disc, as shown.

DESCRIPTION

FIG. 1 is a top perspective view of a combined massage and acupressure disc showing my new design;
FIG. 2 is a side elevational view thereof;
FIG. 3 is another side elevational view, taken on line 3—3 of FIG. 2; and
FIG. 4 is a bottom plan view thereof.

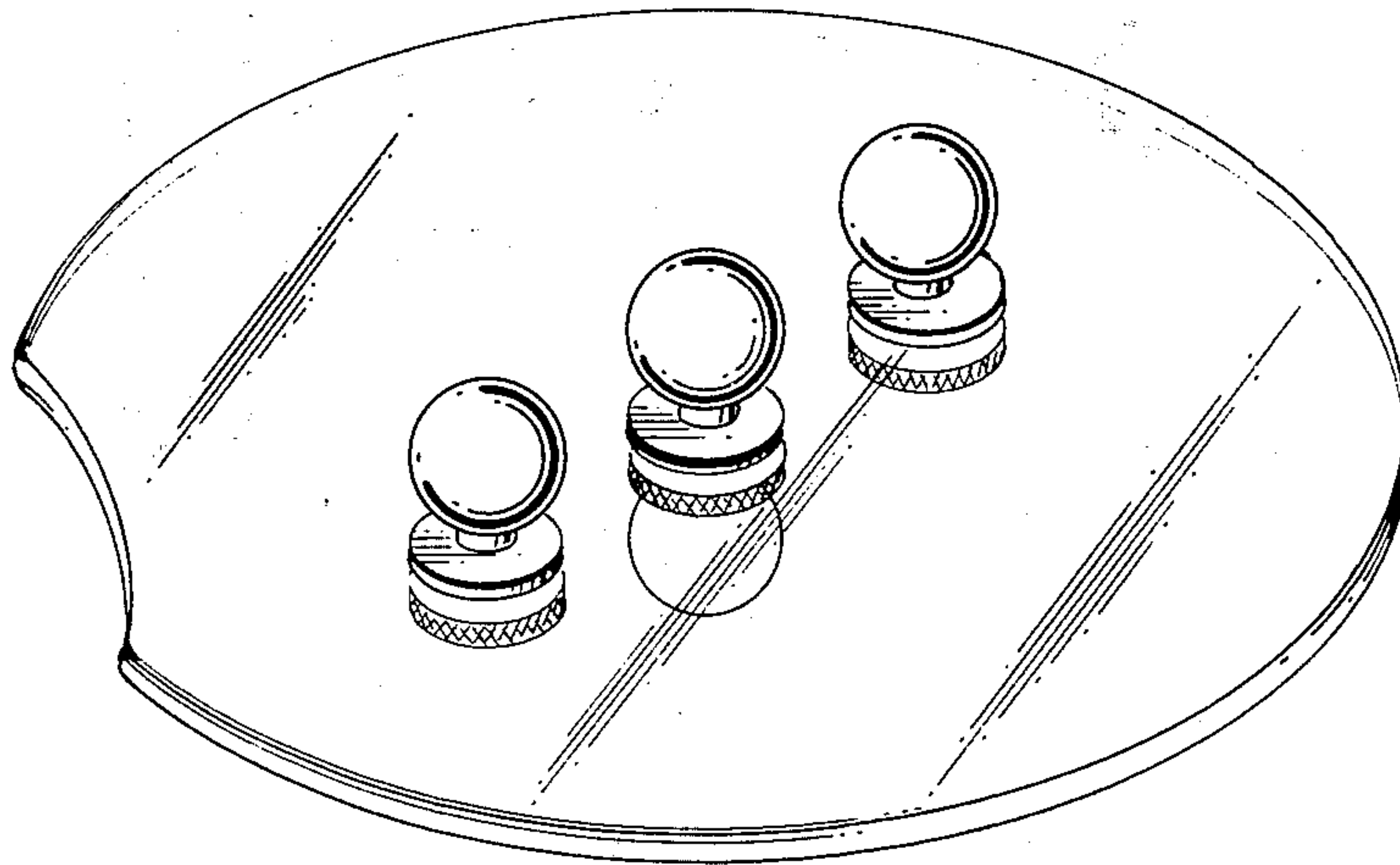


FIG. 1

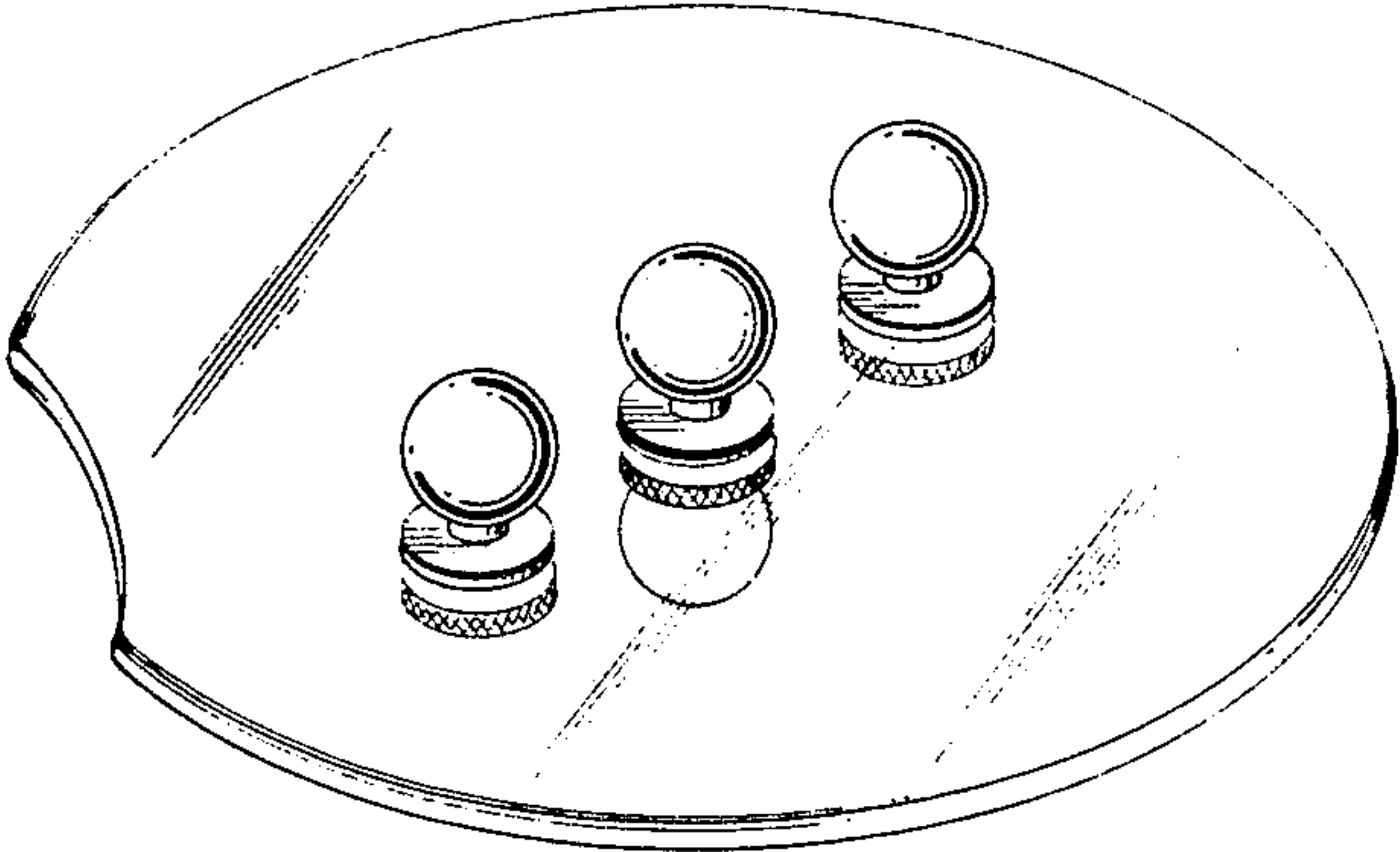


FIG. 2

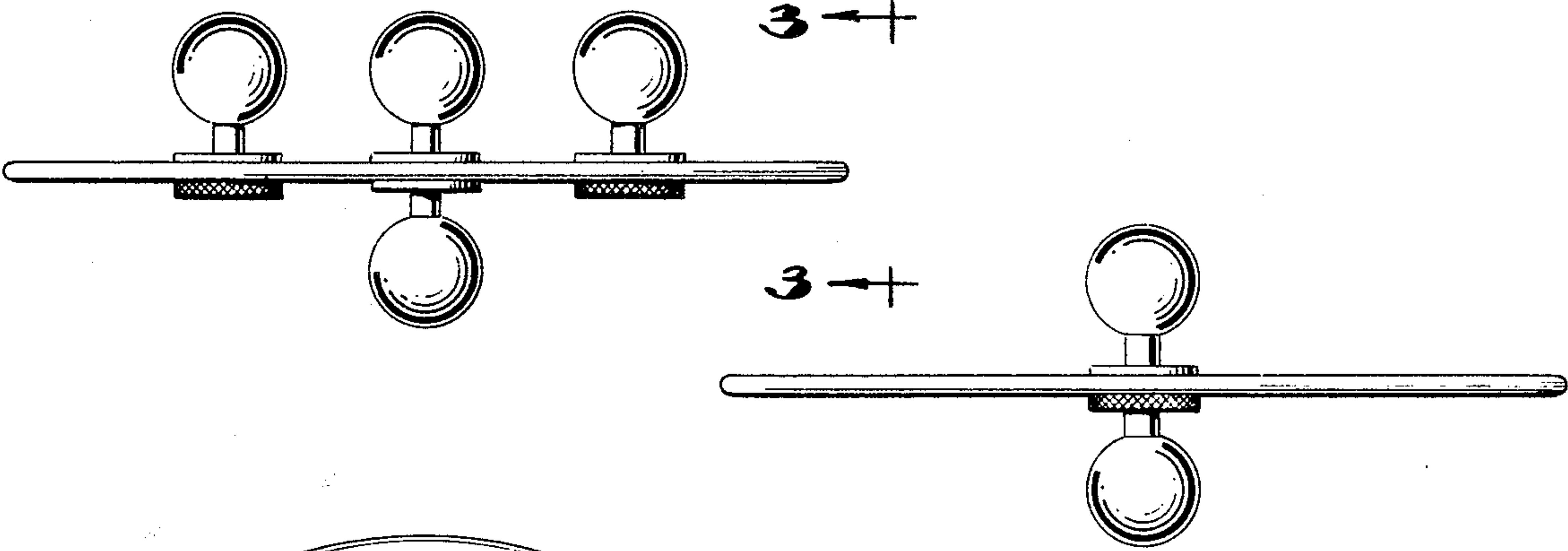


FIG. 3

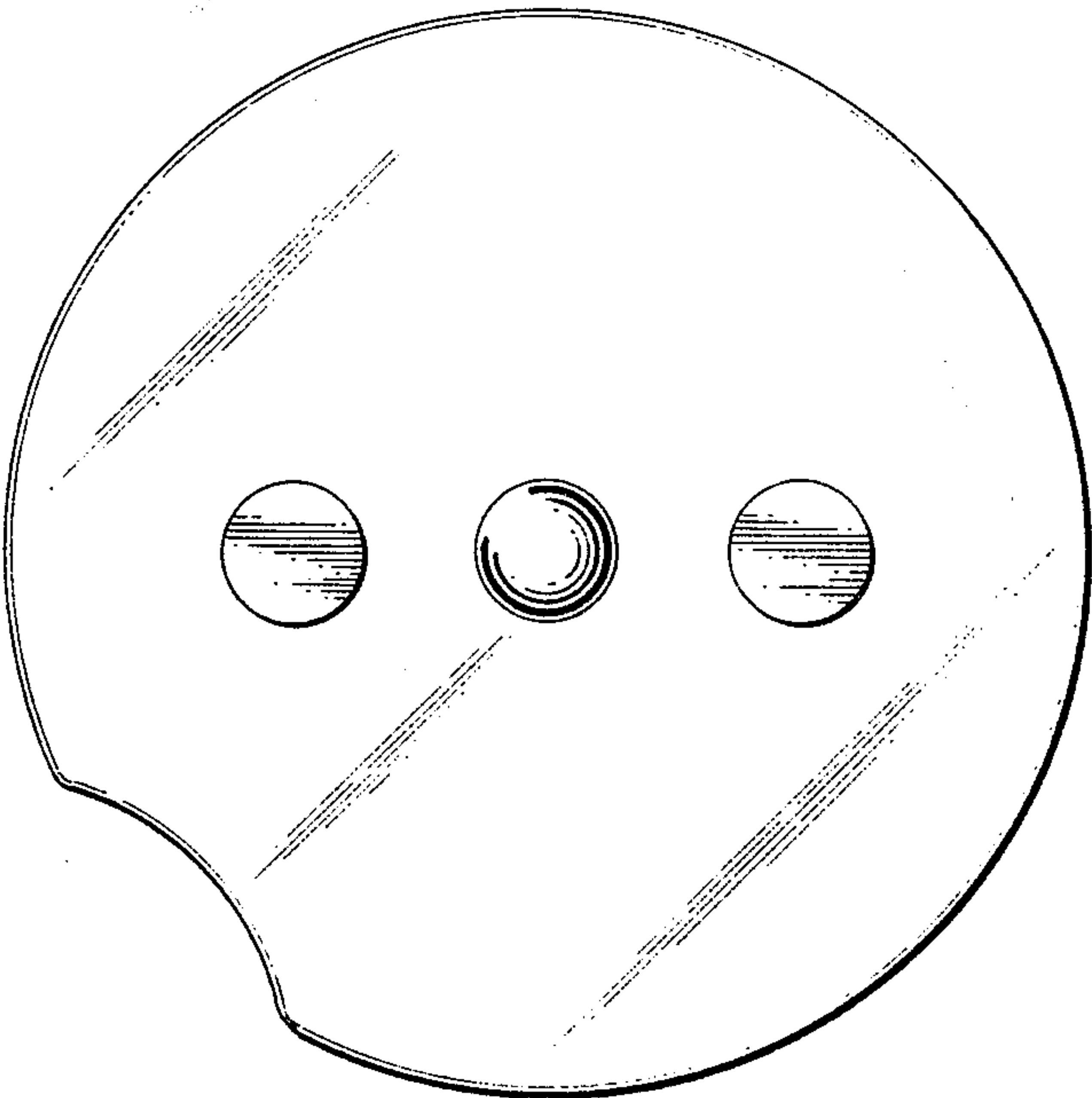


FIG. 4