

[54] **FIREPLACE SCREEN**

[75] **Inventors: Joseph J. Catania, Cheshire; Angelo Gaudino, Wallingford; Russell DeTuzzi, Huntington; Maxwell Gardner, Wallingford, all of Conn.**

[73] **Assignee: Century Fireplace Furnishings, Inc., Wallingford, Conn.**

[**] **Term: 14 Years**

[21] **Appl. No.: 619,050**

[22] **Filed: Jun. 11, 1984**

[52] **U.S. Cl. D23/138.3**

[58] **Field of Search D23/128, 138.3; 126/120, 121, 138, 139, 140, 202, 201; 160/DIG. 9; 16/DIG. 11**

[56] **References Cited**

U.S. PATENT DOCUMENTS

| | | | |
|-----------|---------|------------------|-----------|
| 3,616,788 | 11/1971 | Hannebaum | 126/138 |
| 4,048,979 | 9/1977 | La Vasseur | 126/140 X |
| 4,059,091 | 11/1977 | Cobb | 126/202 X |

Primary Examiner—Catherine E. Kemper
Attorney, Agent, or Firm—Bachman & LaPointe

[57] **CLAIM**

The ornamental design for a fireplace screen, as shown and described.

DESCRIPTION

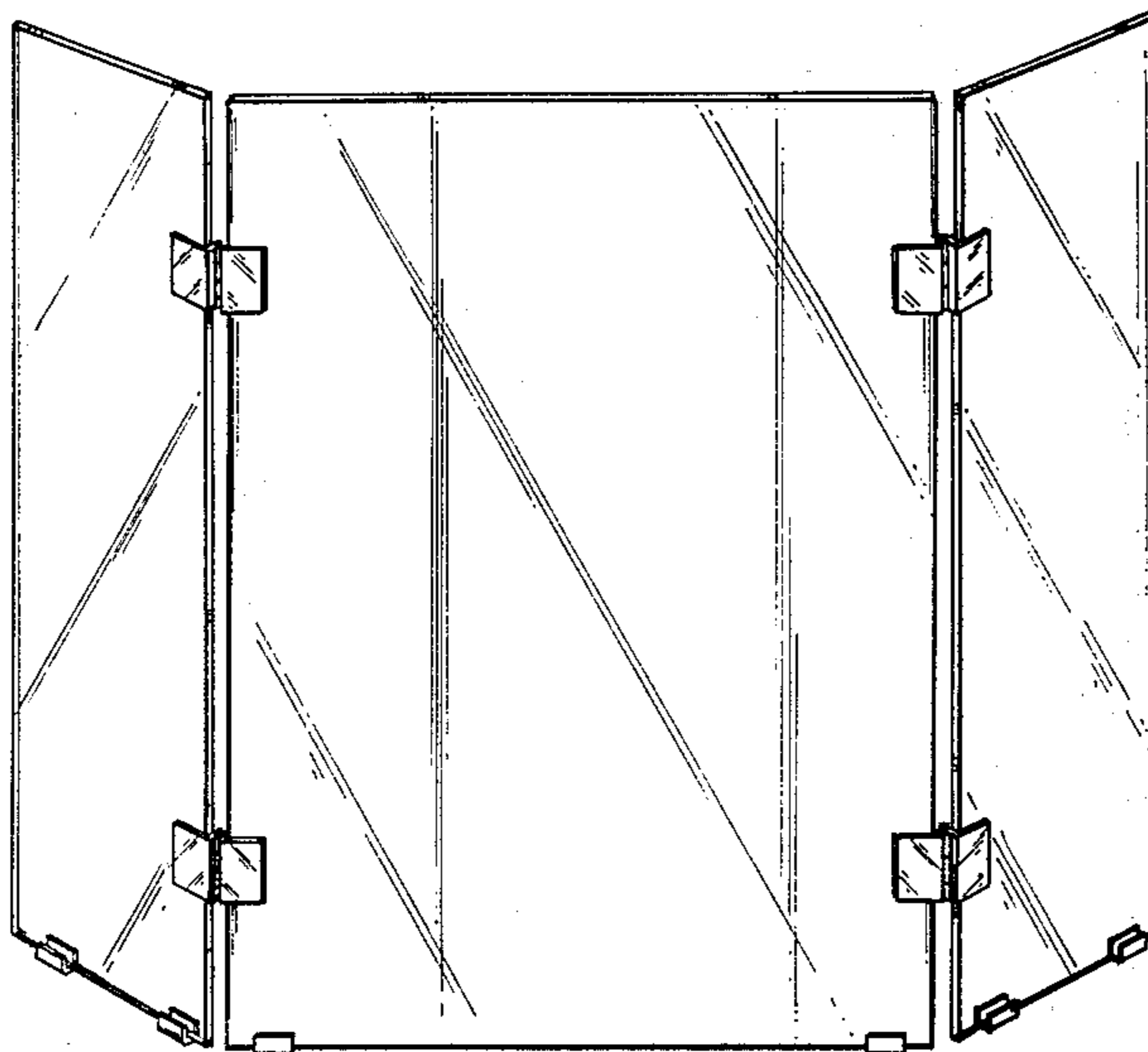
FIG. 1 is a front perspective view of a fireplace screen, showing our new design;

FIG. 2 is a side elevational view thereof;

FIG. 3 is a top plan view thereof;

FIG. 4 is a rear elevational view thereof;

FIG. 5 is a bottom plan view thereof.



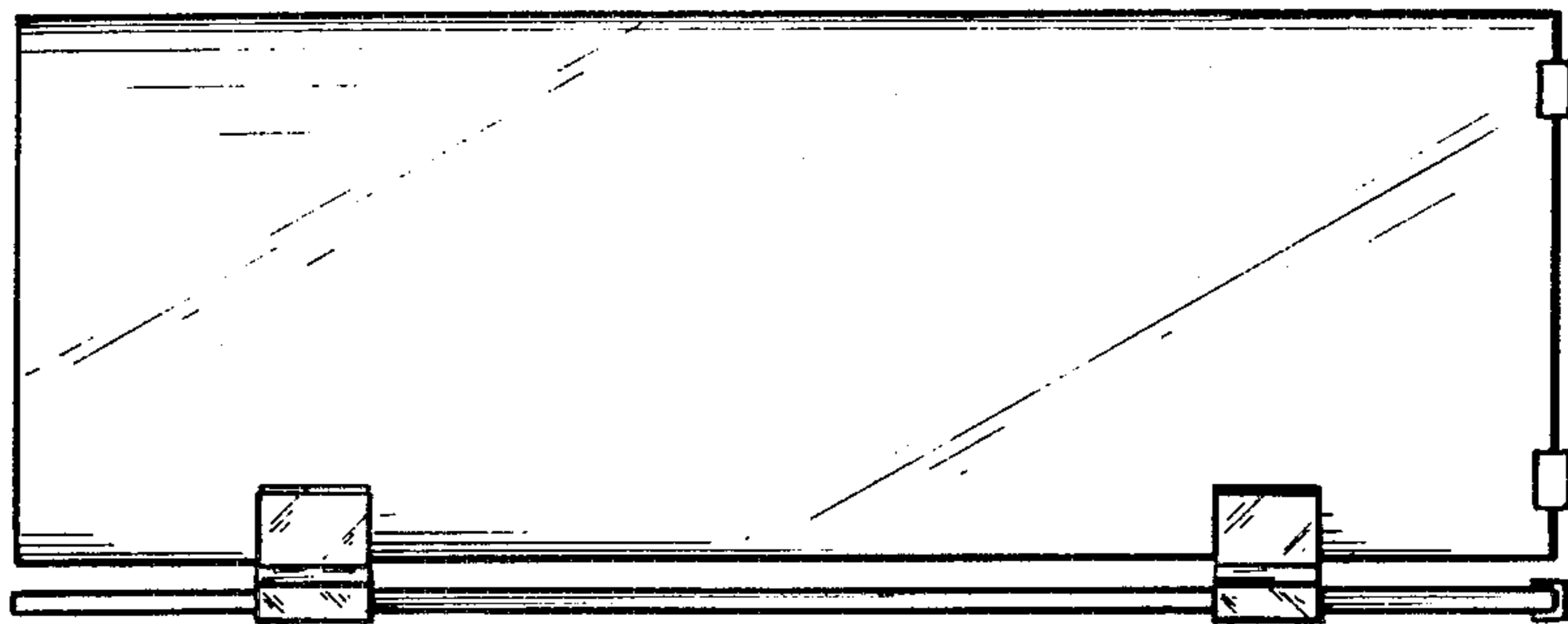


FIG-2

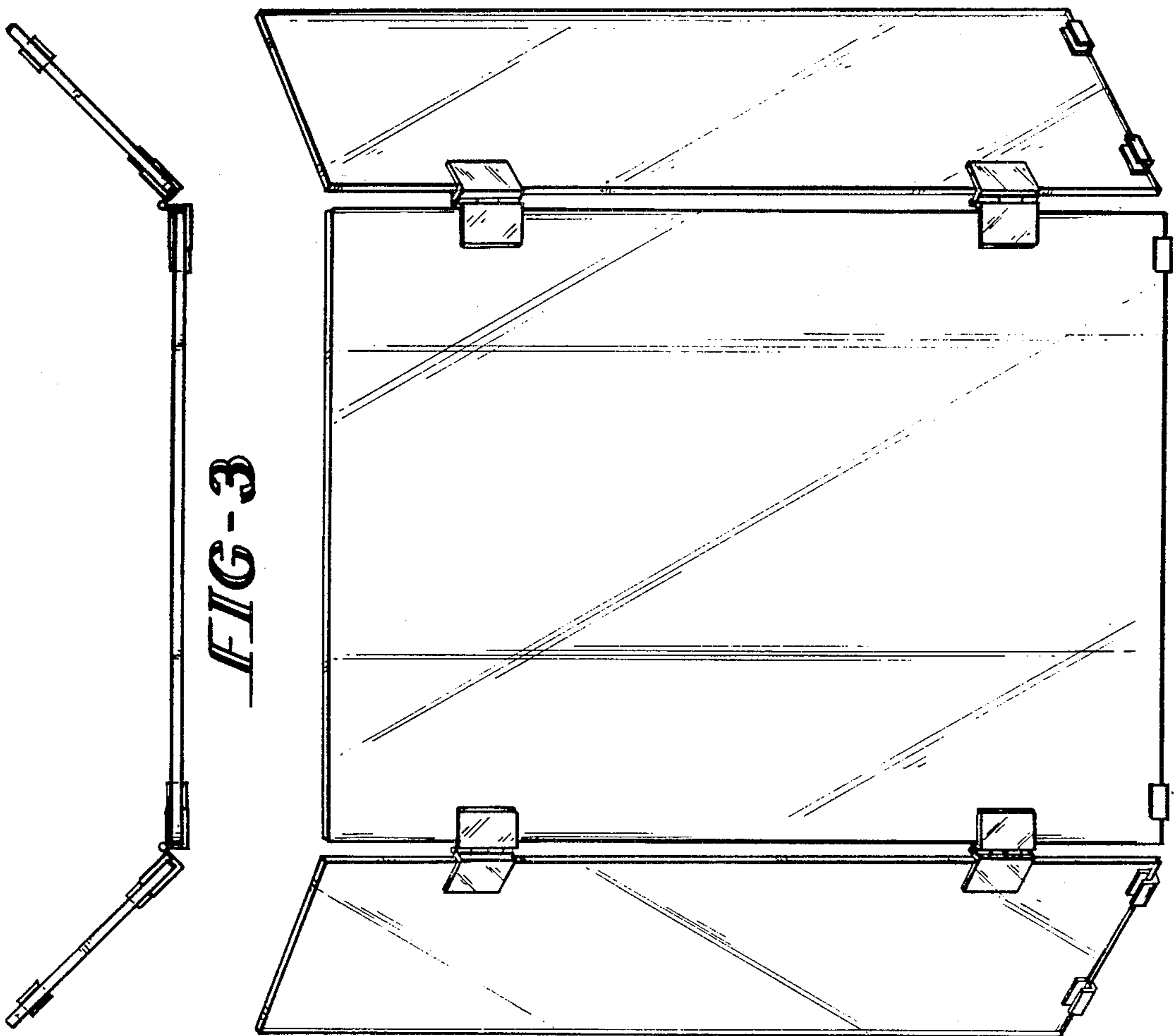


FIG-3

FIG-1

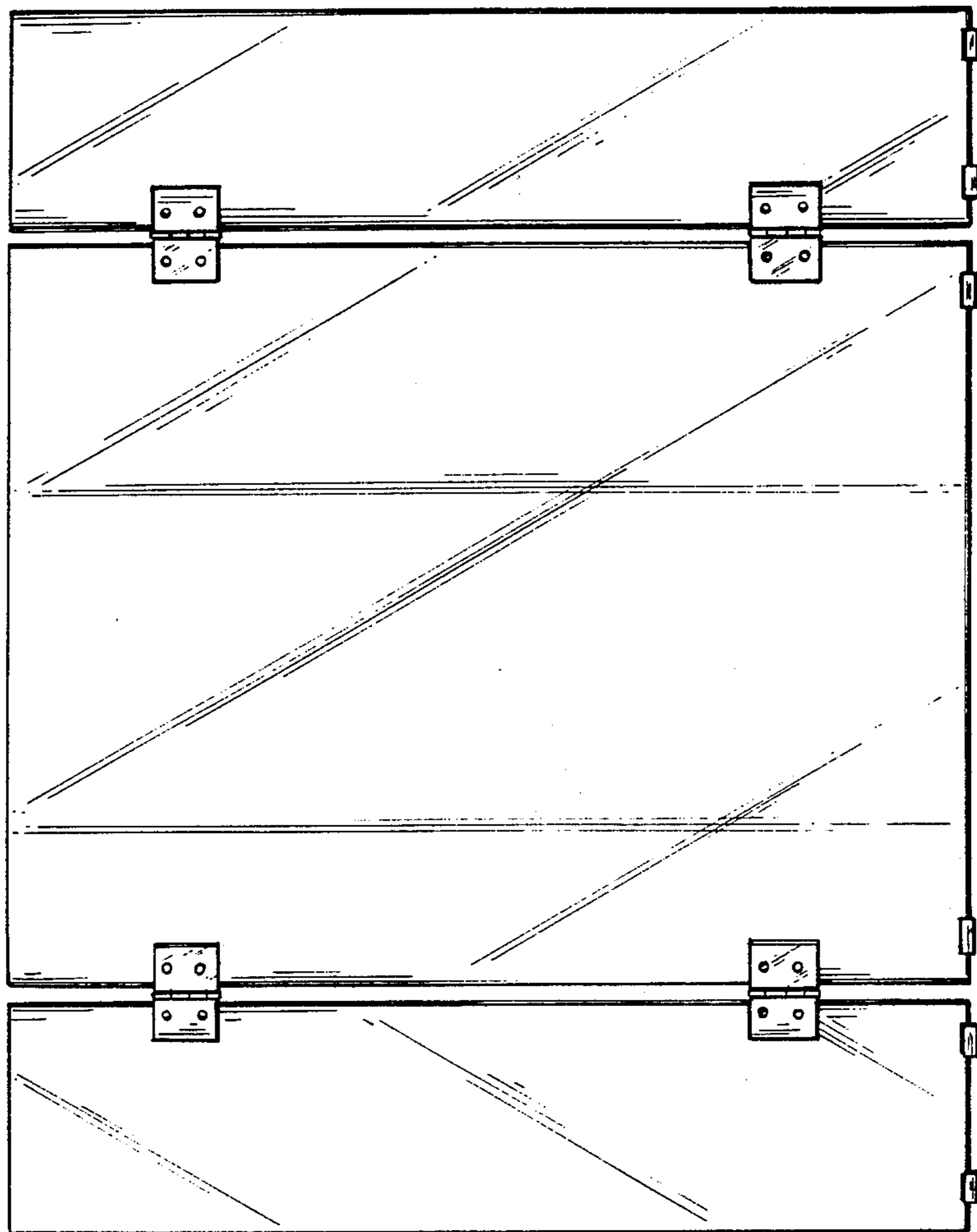


FIG-4

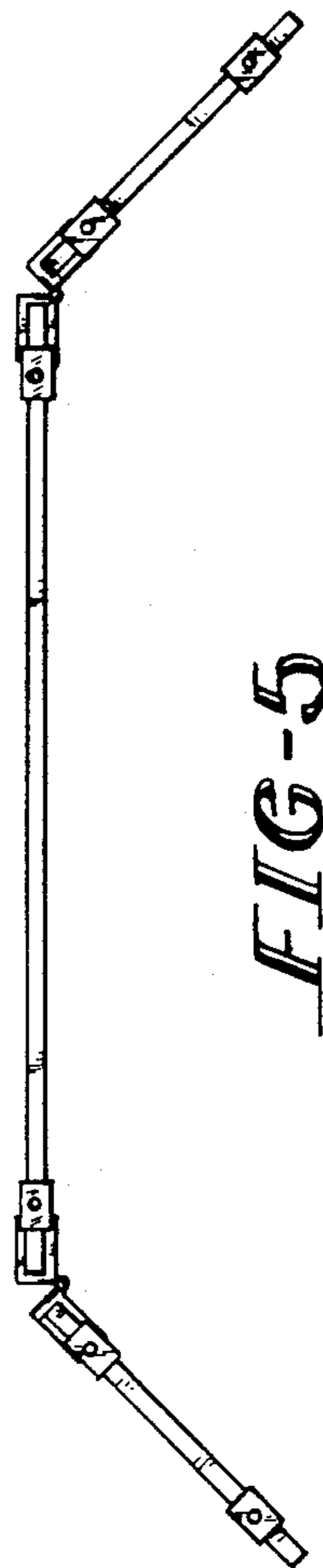


FIG-5