

[54] PRICE TAG LABEL STRIP

[75] Inventor: David B. Russell, Southborough, Mass.

[73] Assignee: Dennison Manufacturing Company, Framingham, Mass.

[\*\*] Term: 14 Years

[21] Appl. No.: 403,881

[22] Filed: Jul. 30, 1982

[52] U.S. Cl. .... D20/22

[58] Field of Search ..... D19/9-12;  
D20/22, 27; 24/150 FP; 40/2 R, 20 R;  
206/343, 338, 346; 227/67, 95

[56] References Cited

U.S. PATENT DOCUMENTS

2,985,006 5/1961 Du Bois ..... 24/150 FP  
4,288,017 9/1981 Russell ..... 227/95 X

4,347,932 9/1982 Furutu ..... 206/343

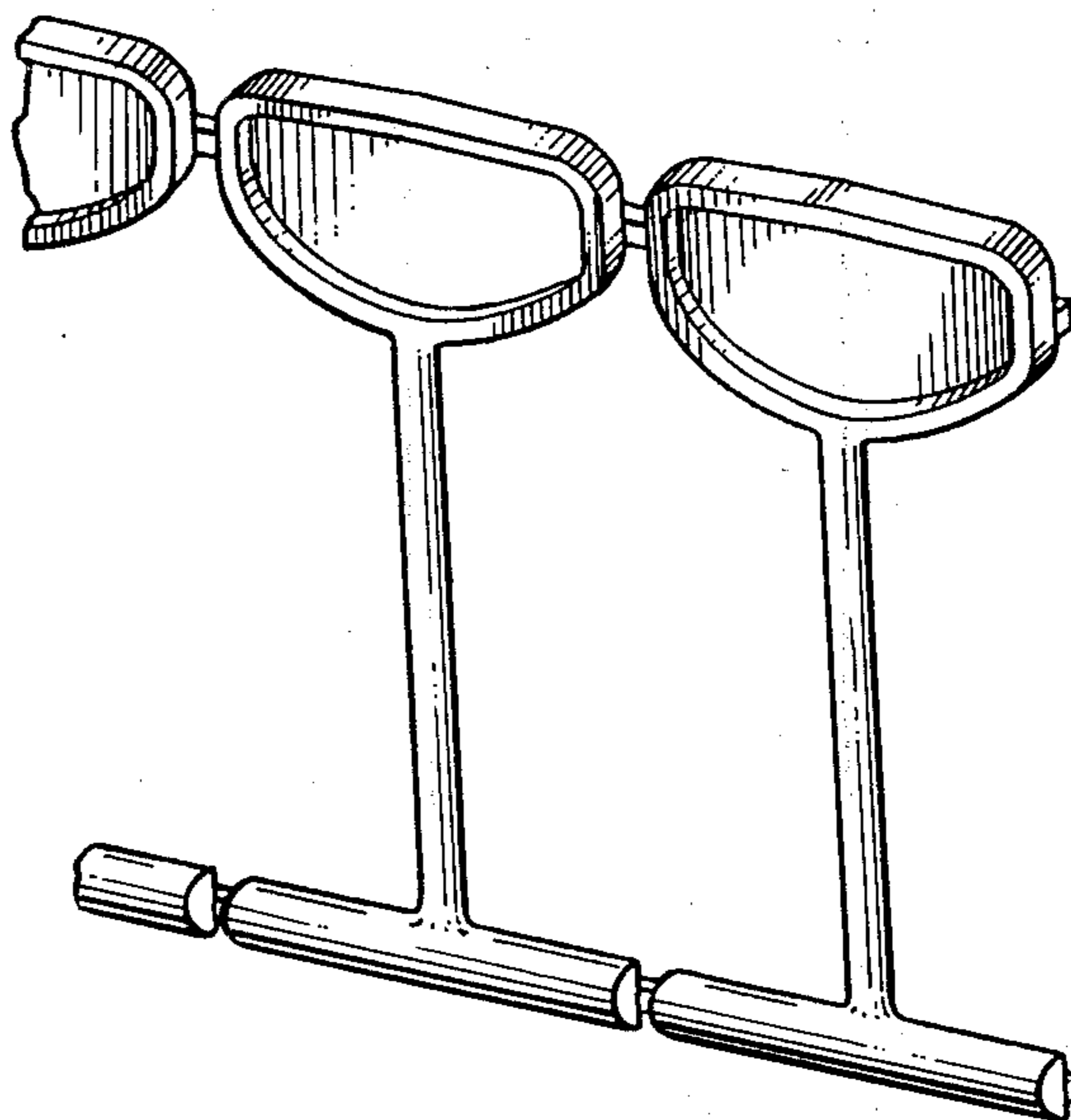
Primary Examiner—Bernard Ansher  
Assistant Examiner—Linda Titolo  
Attorney, Agent, or Firm—George E. Kersey

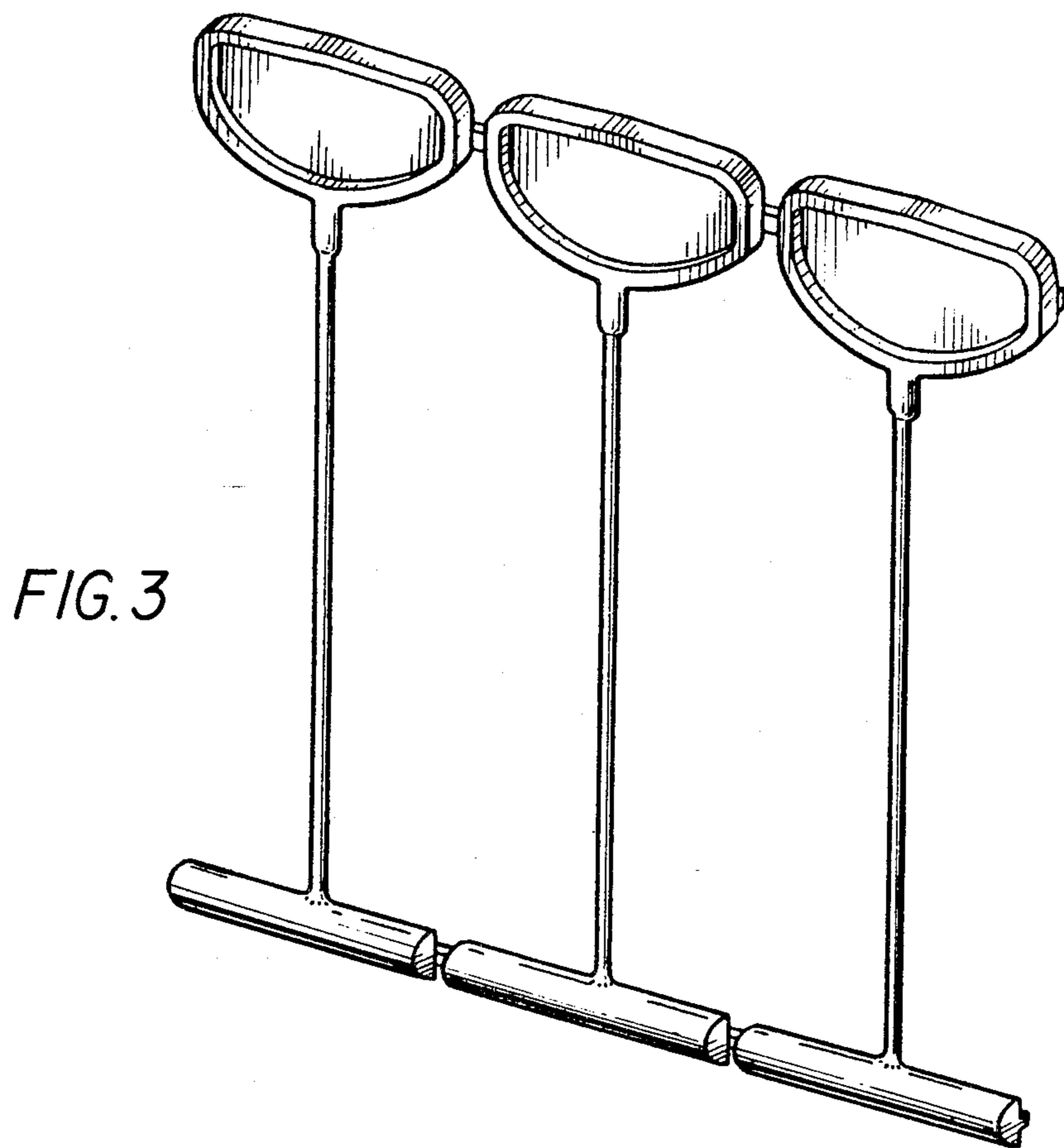
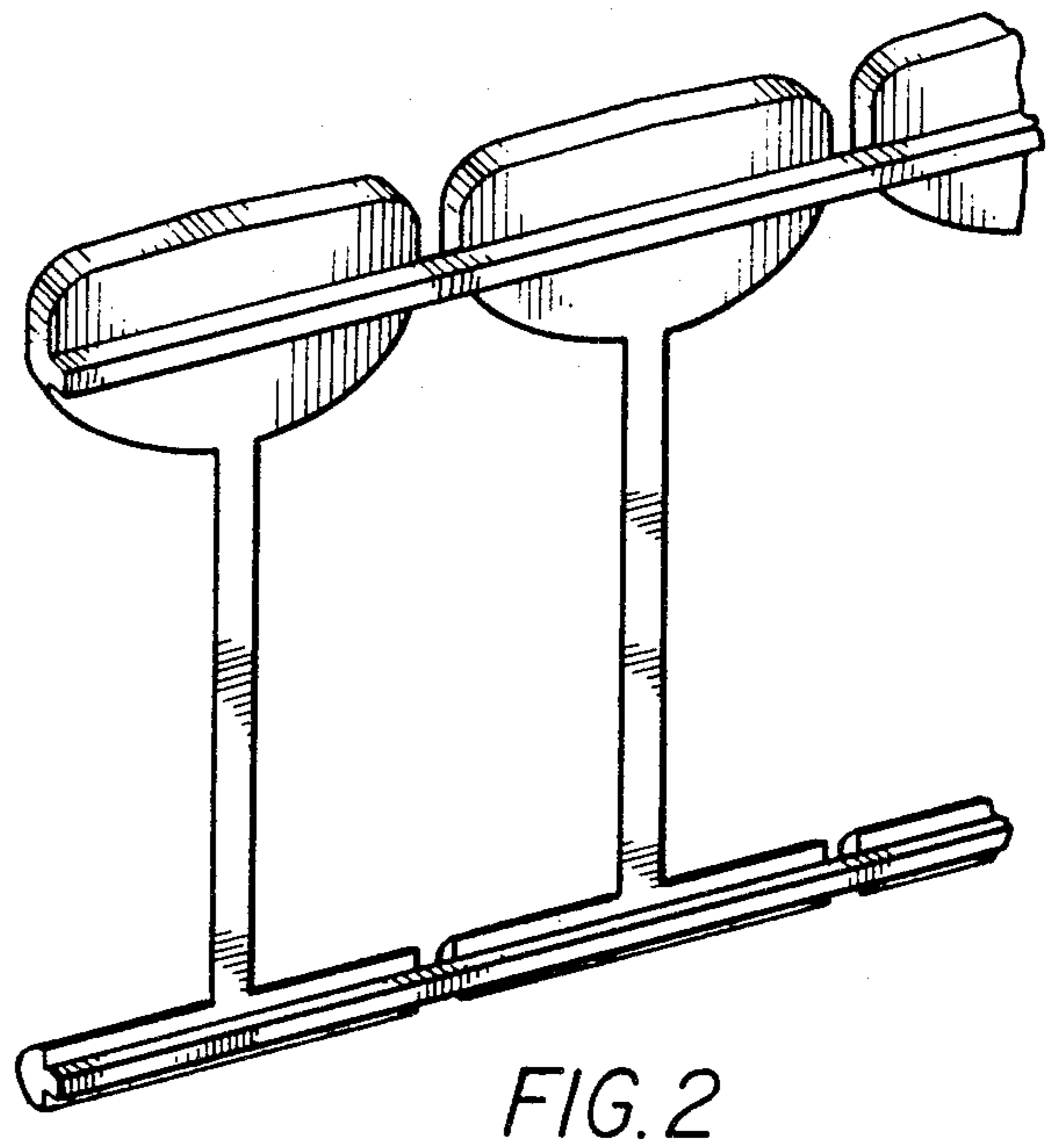
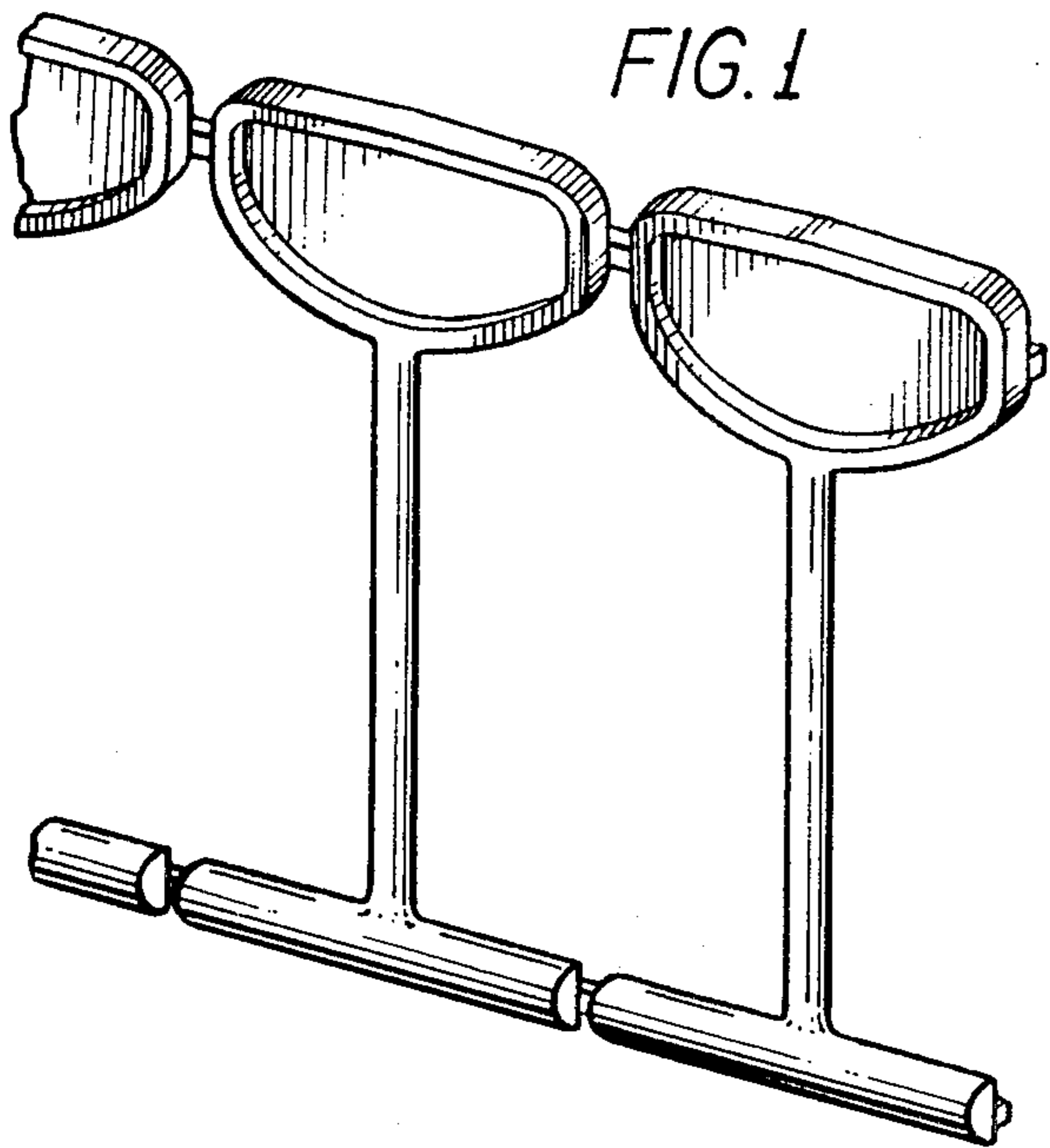
[57] CLAIM

The ornamental design for a price tag label strip, substantially as shown and described.

DESCRIPTION

FIG. 1 is a front perspective view of a price tag label strip, showing my new design; with portions fragmentarily shown for ease of illustration;  
FIG. 2 is a rear perspective view thereof;  
FIG. 3 is a front perspective view of a second embodiment of a price tag label strip;  
FIG. 4 is a front perspective view of a third embodiment of a price tag label strip;  
FIG. 5 is a rear perspective view thereof; and  
FIG. 6 is a front perspective view of a fourth embodiment of a price tag label strip.





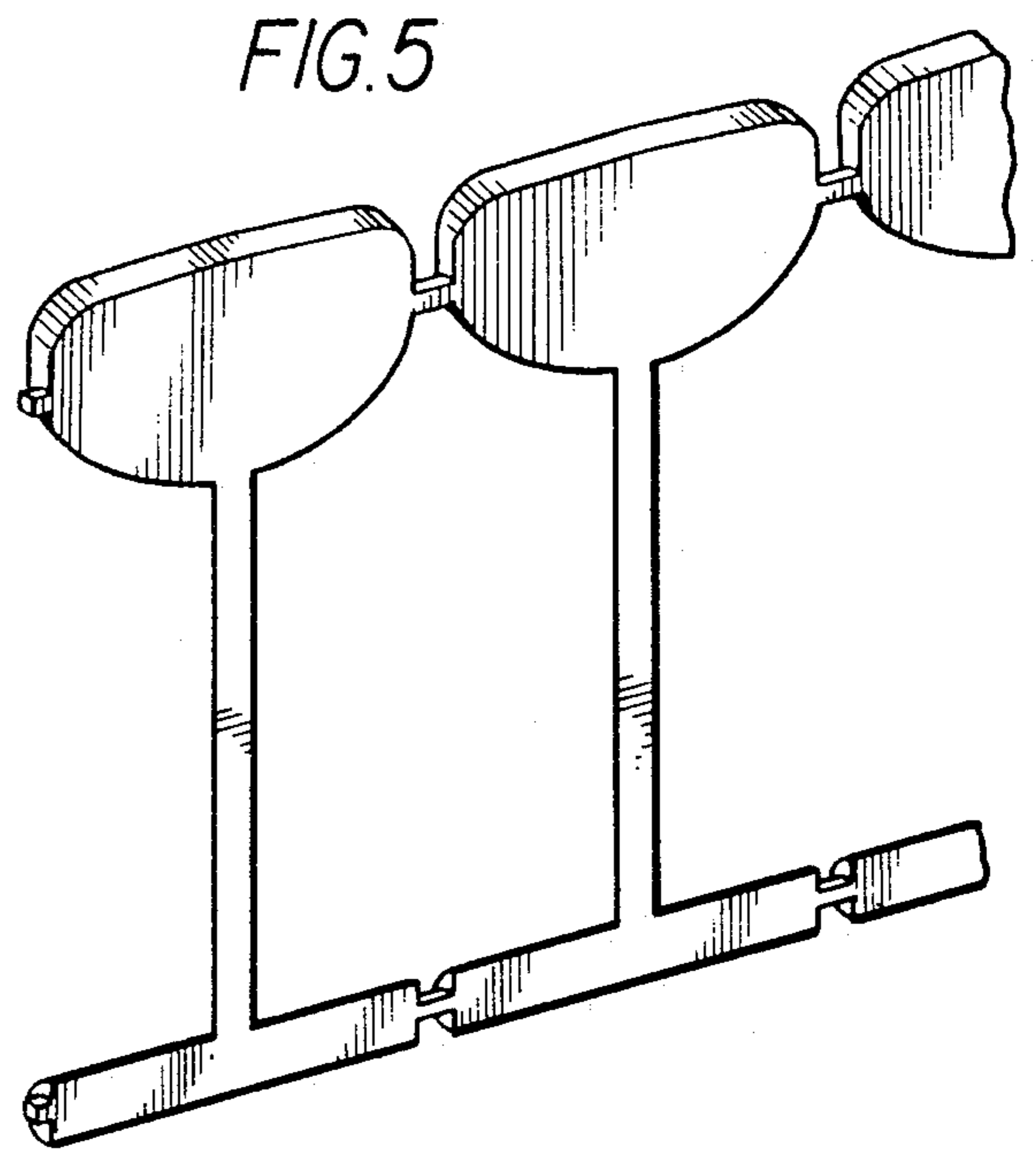
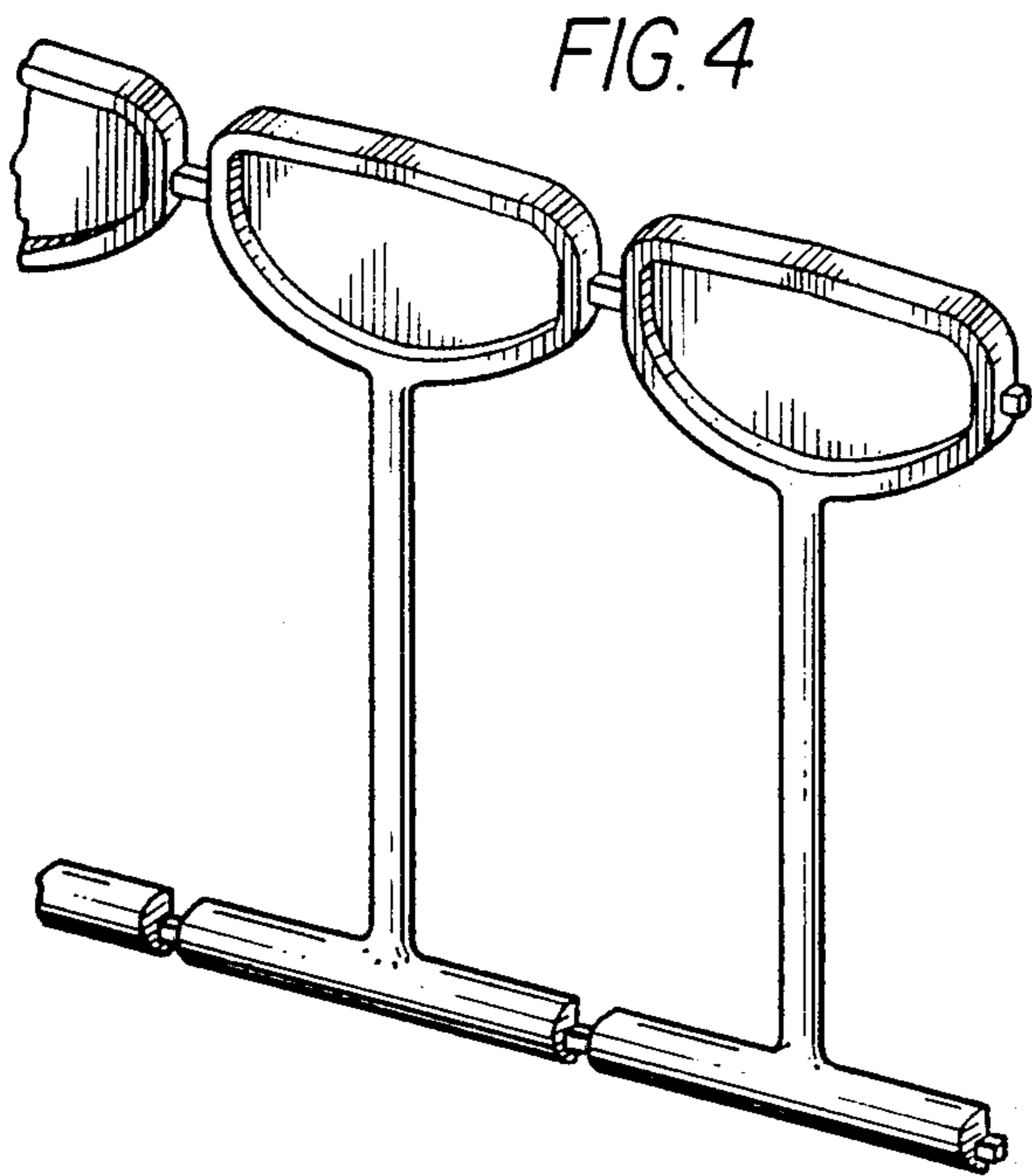


FIG. 6

