

[54] **DESK TIDY**

[75] **Inventor: James Rooney, Luton, England**

[73] **Assignee: Alternate Resources Limited,
Bedfordshire, England**

[**] **Term: 14 Years**

[21] **Appl. No.: 588,554**

[22] **Filed: Mar. 12, 1984**

[30] **Foreign Application Priority Data**

Sep. 15, 1983 [GB] United Kingdom 1015115

[52] **U.S. Cl.** **D19/75; D19/78**

[58] **Field of Search** **D19/65, 75-78,
D19/80, 85, 93-97, 67-69; 206/214; D3/39**

[56] **References Cited**

U.S. PATENT DOCUMENTS

D. 118,030	12/1939	Wethington	D19/76
D. 227,477	6/1973	Stahel	D19/76
D. 231,495	4/1974	Greenlawn	D19/75
D. 273,309	4/1984	Evenson	D19/75
D. 277,297	1/1985	Jennings et al.	D19/75

Primary Examiner—George P. Word
Attorney, Agent, or Firm—Cesari and McKenna

[57] **CLAIM**

The ornamental design for a desk tidy, as shown and described.

DESCRIPTION

FIG. 1 is a perspective view of a desk tidy showing my new design;

FIG. 2 is a rear elevational view thereof;

FIG. 3 is a right side elevational view thereof;

FIG. 4 is a cross-sectional view taken along line 4—4 of FIG. 1; and

FIG. 5 is a bottom plan view thereof.

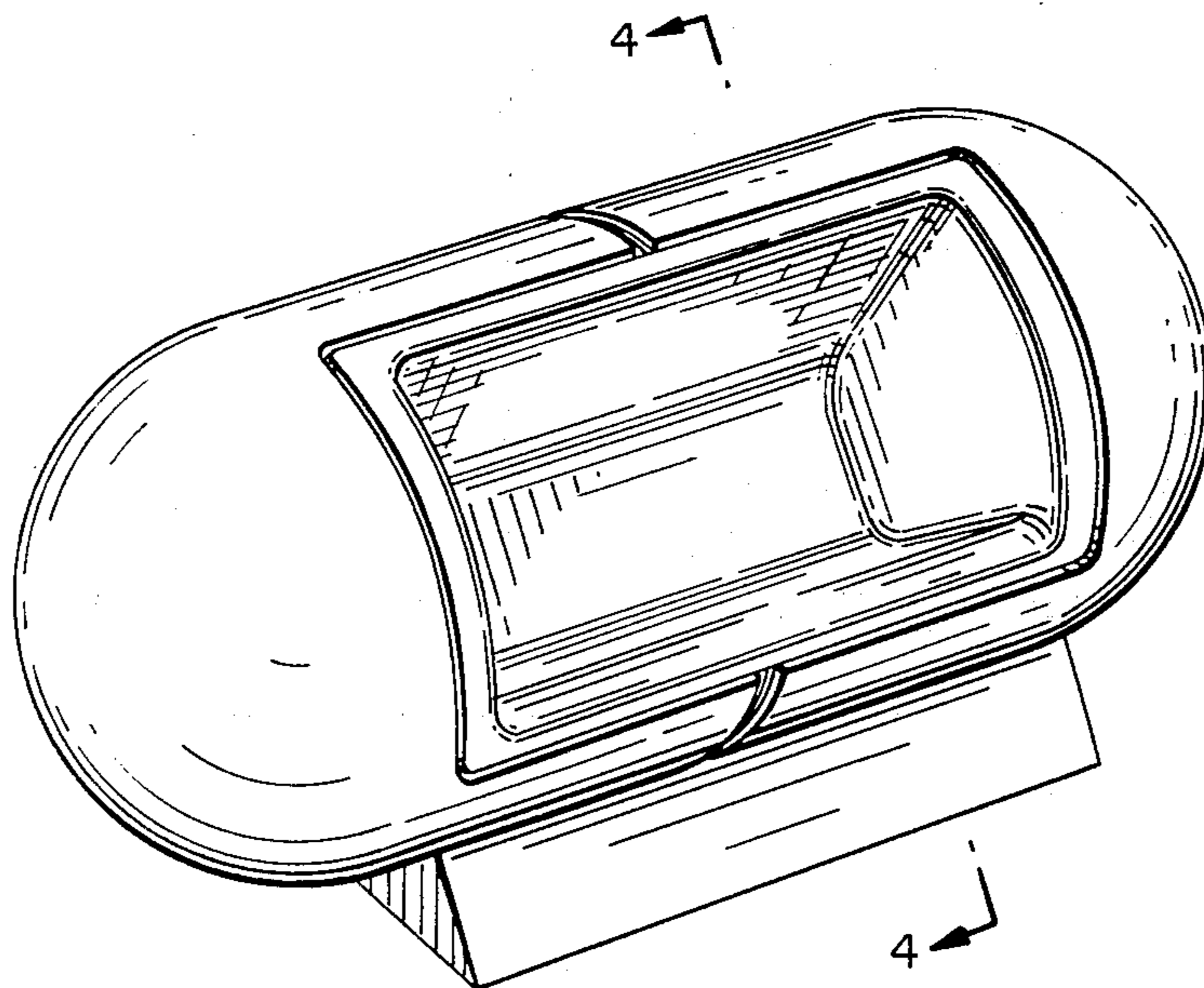


Fig. 1.

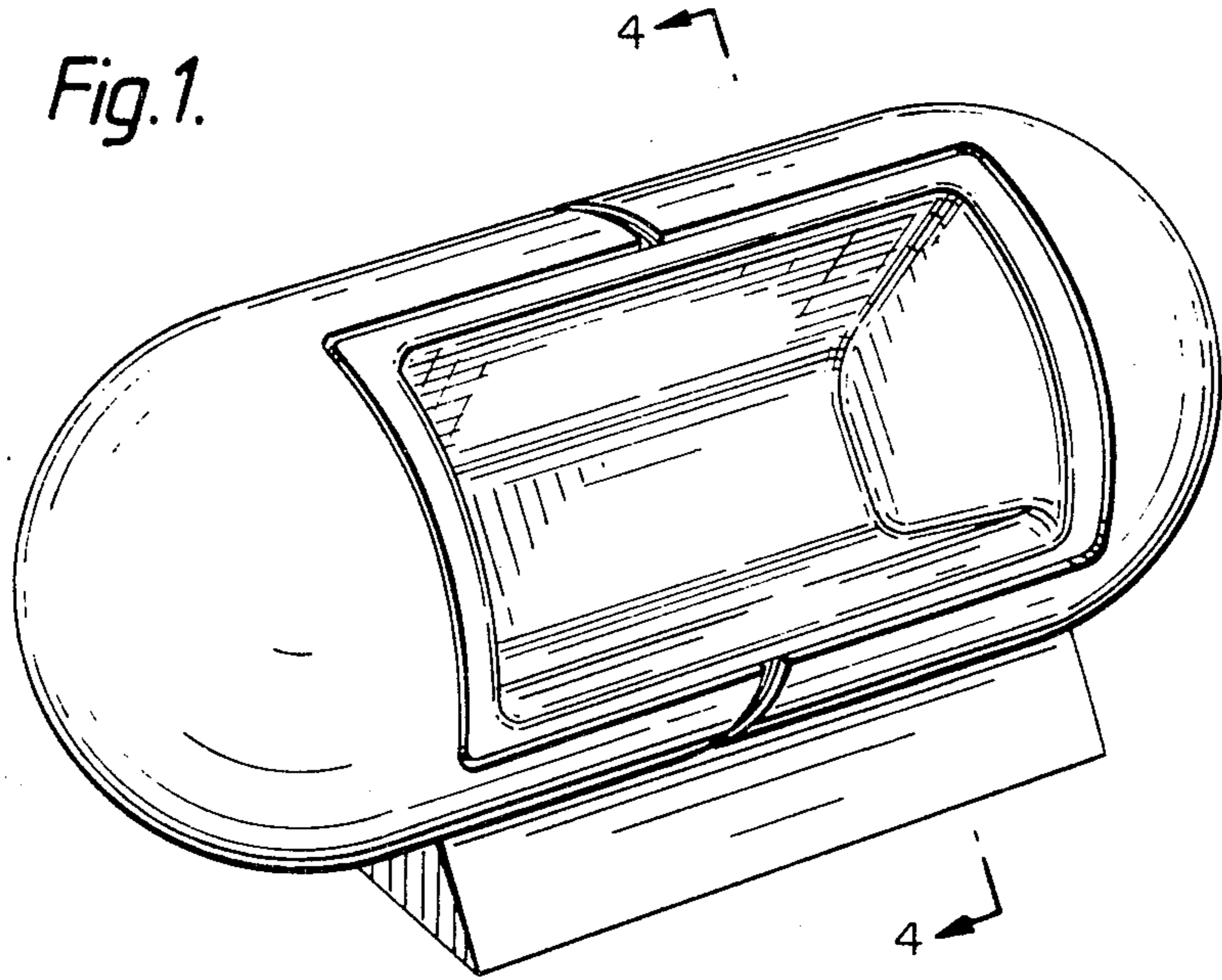


Fig. 2.

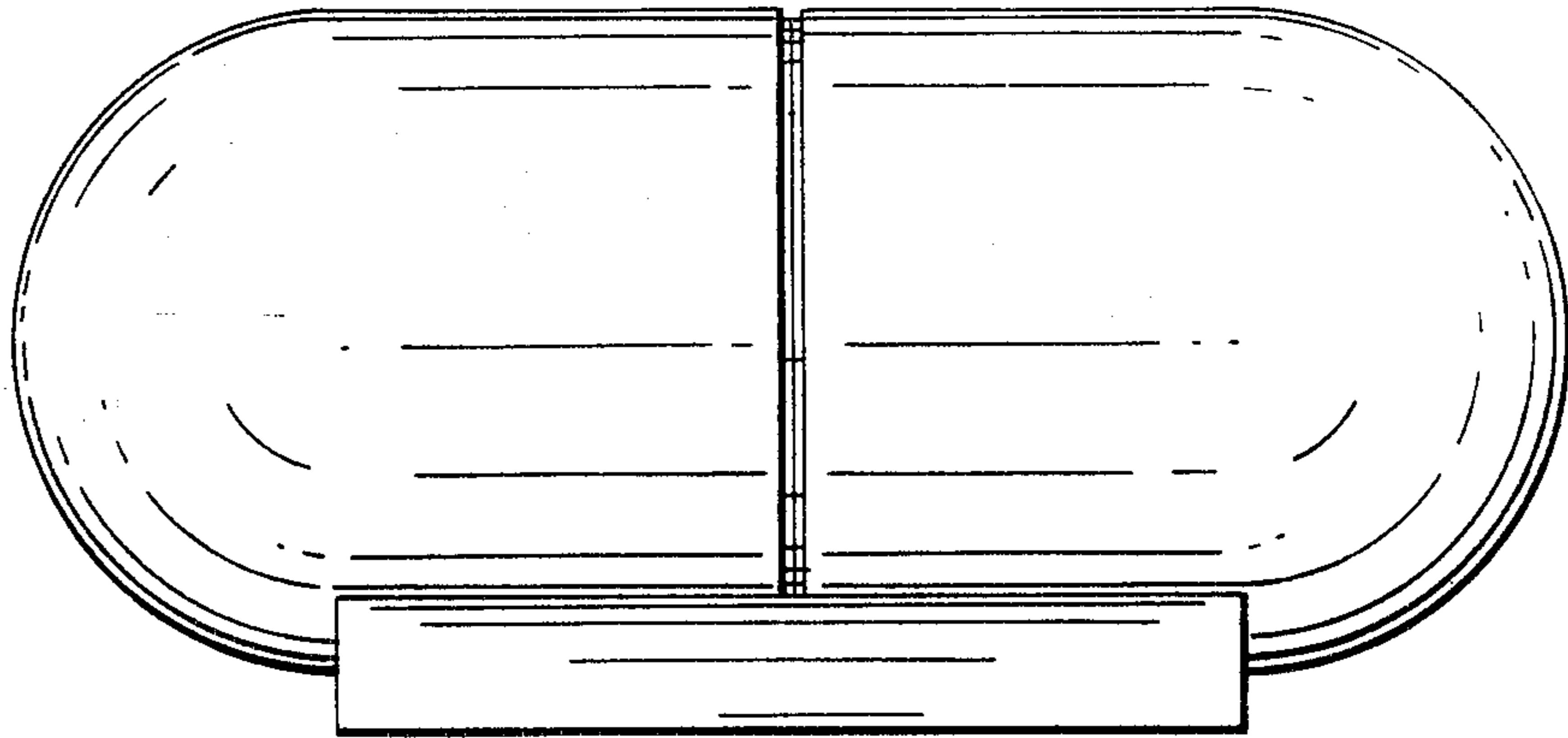


Fig. 3.

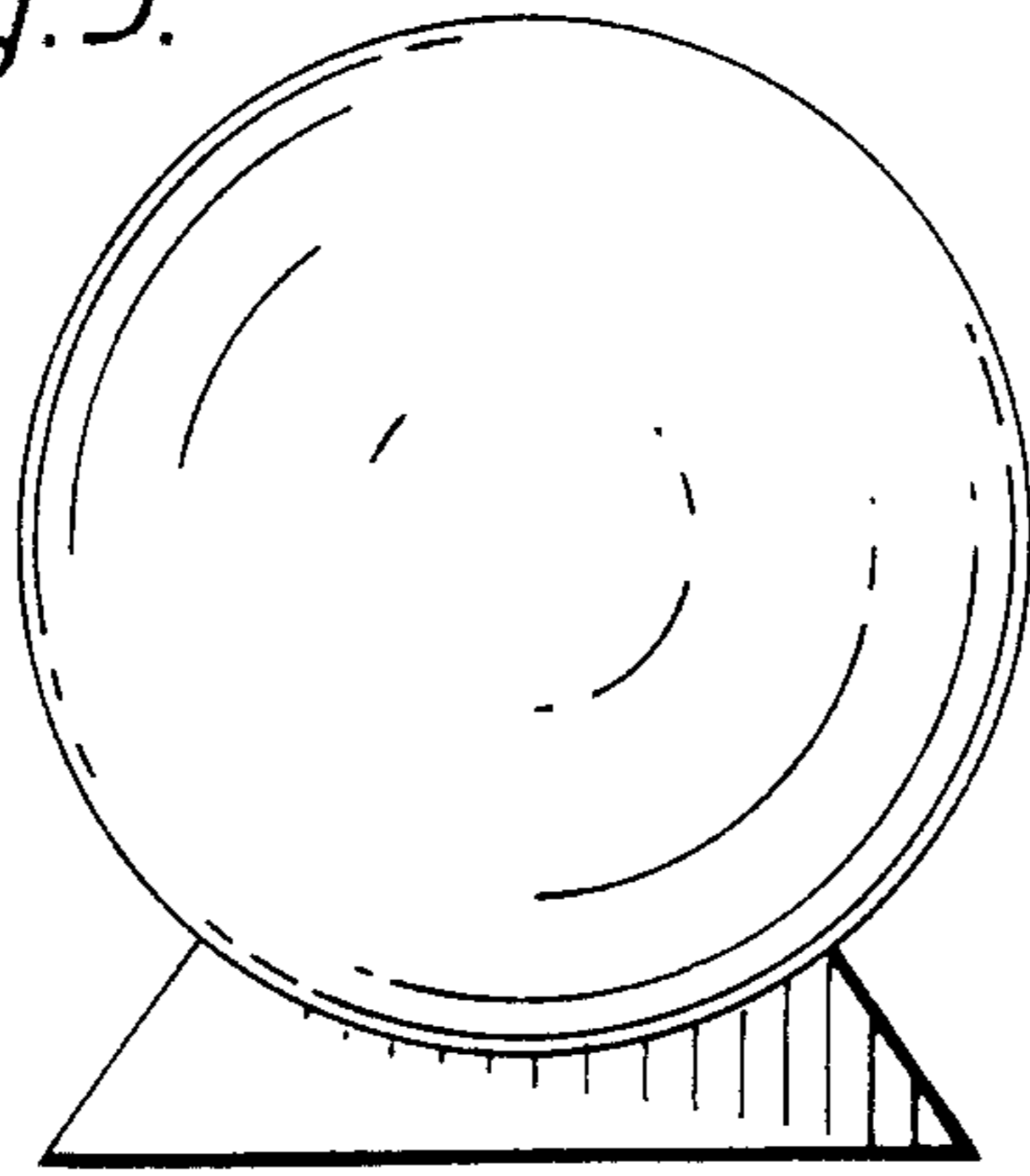


Fig. 4.

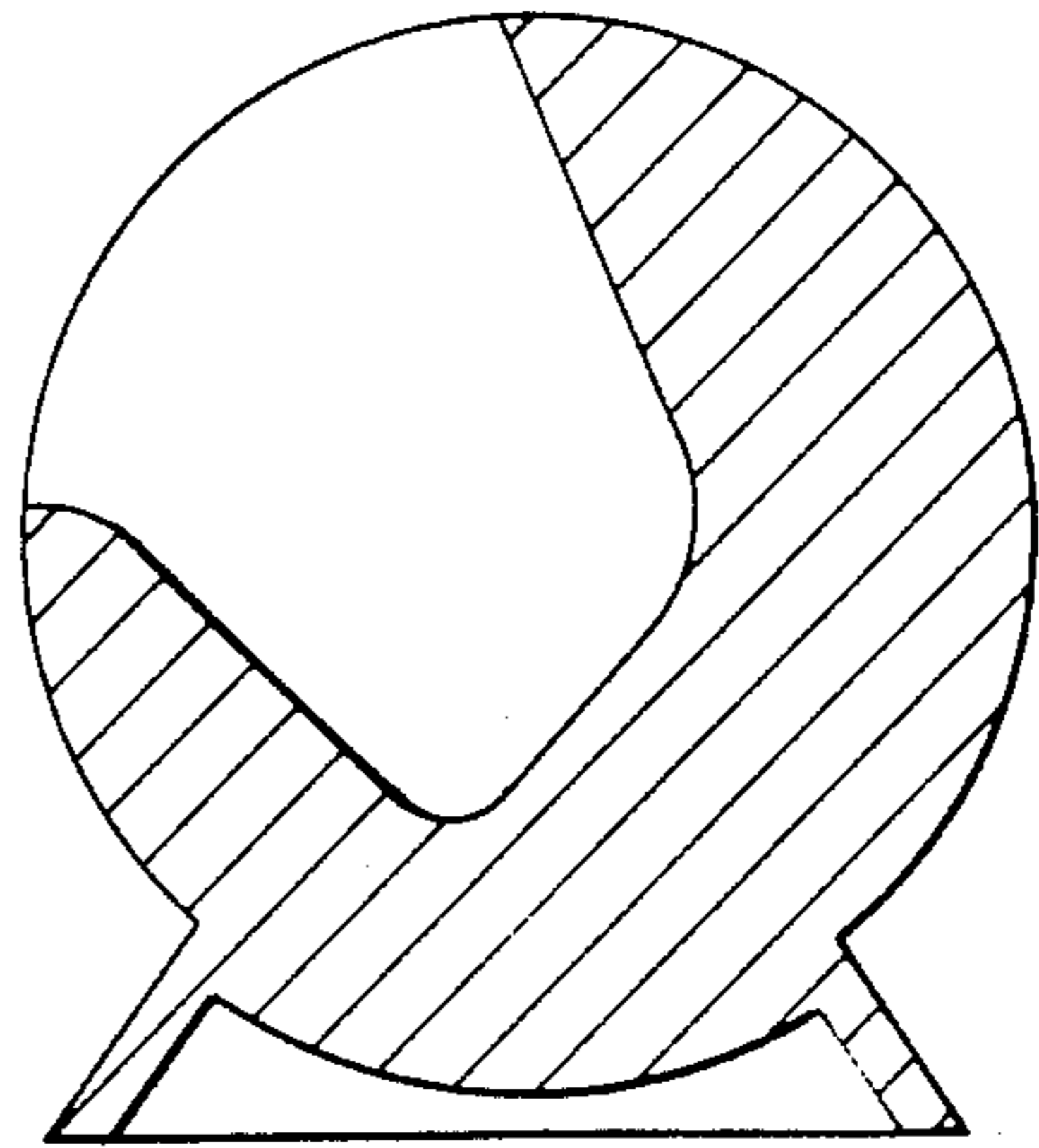


Fig. 5.

