

[54] **TYPE STYLE CARTRIDGE FOR TYPEWRITER**

[75] Inventors: **Richard Nibley; Noriaki Haranishi,** both of Tokyo, Japan

[73] Assignee: **Canon Kabushiki Kaisha,** Tokyo, Japan

[**] Term: **14 Years**

[21] Appl. No.: **683,216**

[22] Filed: **Dec. 18, 1984**

[30] **Foreign Application Priority Data**

Jul. 6, 1984 [JP] Japan 59-28032

[52] U.S. Cl. **D18/12; D14/11; D14/114**

[58] Field of Search **D18/1, 2, 11, 12, 22; D14/11, 100, 114; 400/689-694; 360/132**

[56] **References Cited**

U.S. PATENT DOCUMENTS

D. 257,345 10/1980 Levy D14/11

D. 269,673 7/1983 Johansson et al. D14/114 X
D. 281,504 11/1985 Davis et al. D14/114
4,323,979 4/1982 Johnston D18/11

Primary Examiner—Louis S. Zarfes
Attorney, Agent, or Firm—Fitzpatrick, Cella, Harper & Scinto

[57] **CLAIM**

The ornamental design for a type style cartridge for typewriter, as shown and described.

DESCRIPTION

FIG. 1 is a front elevational view of a type style cartridge for typewriter showing our new design;
FIG. 2 is a rear elevational view thereof;
FIG. 3 is a top plan view thereof;
FIG. 4 is a bottom plan view thereof;
FIG. 5 is a side elevational view as seen from the left of FIG. 1;
FIG. 6 is a side elevational view as seen from the right of FIG. 1 and
FIG. 7 is a perspective view of the type style cartridge for typewriter.

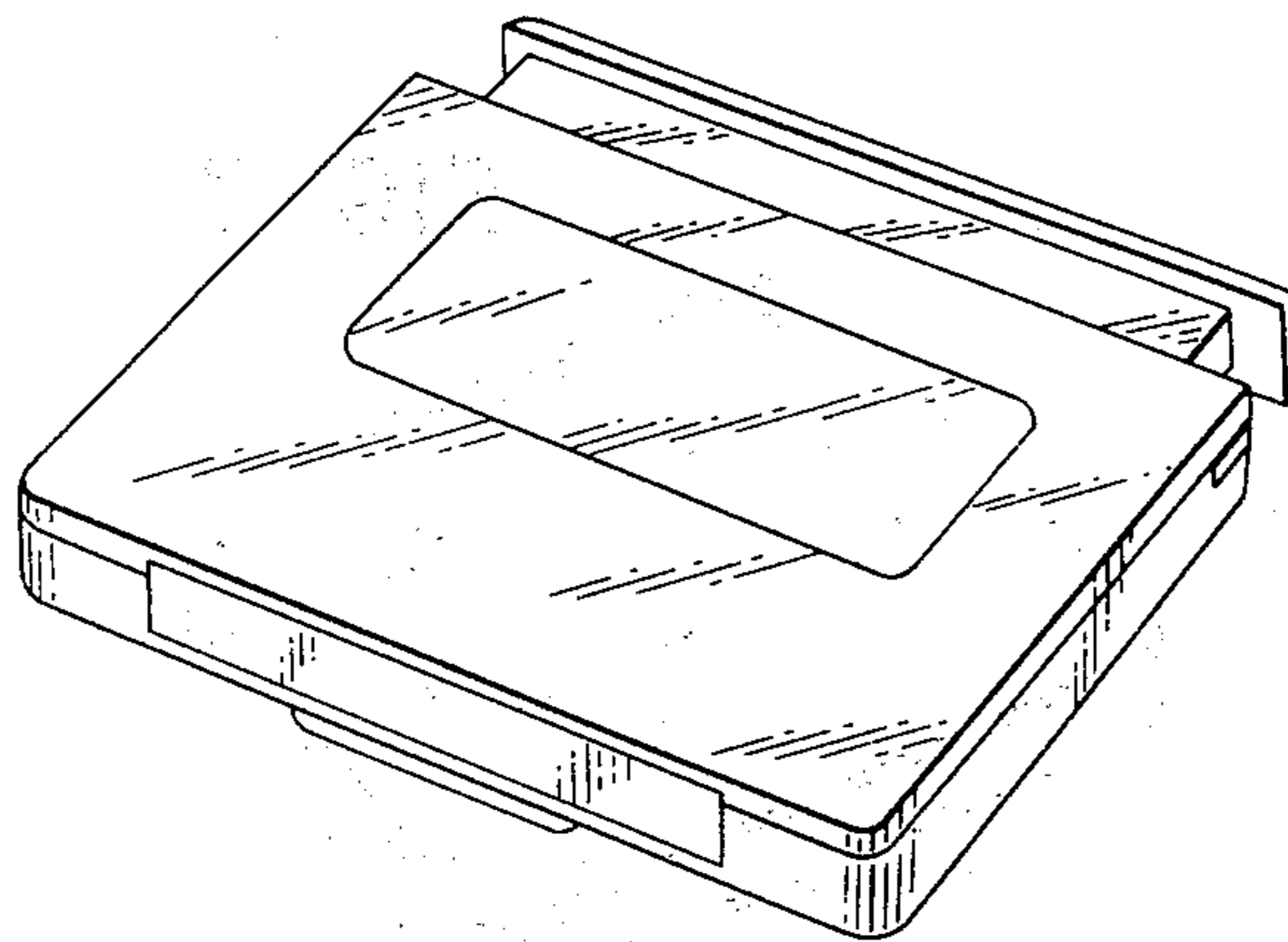


FIG. 1

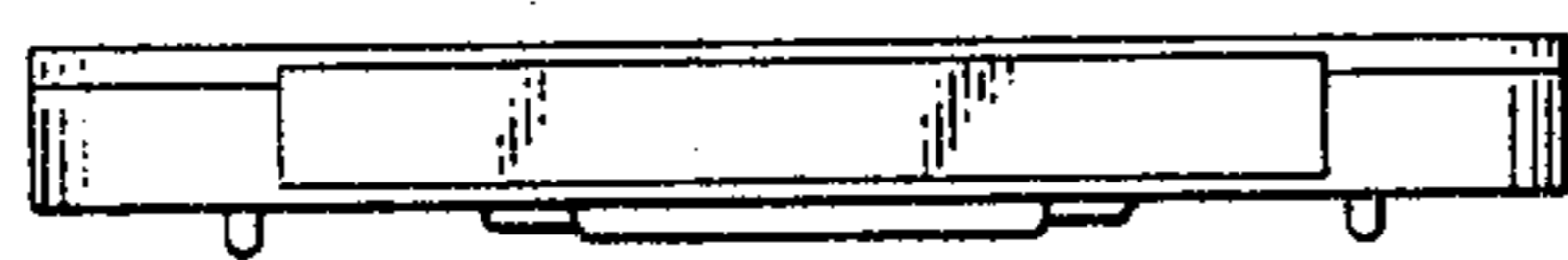


FIG. 2

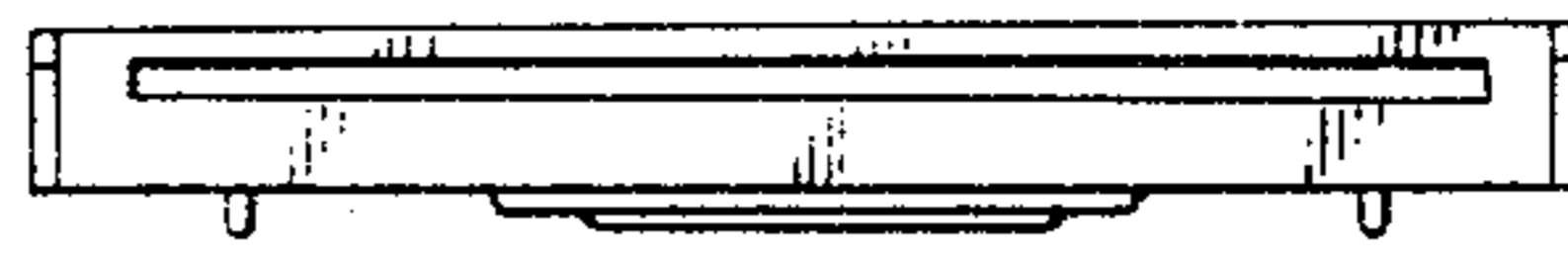


FIG. 3

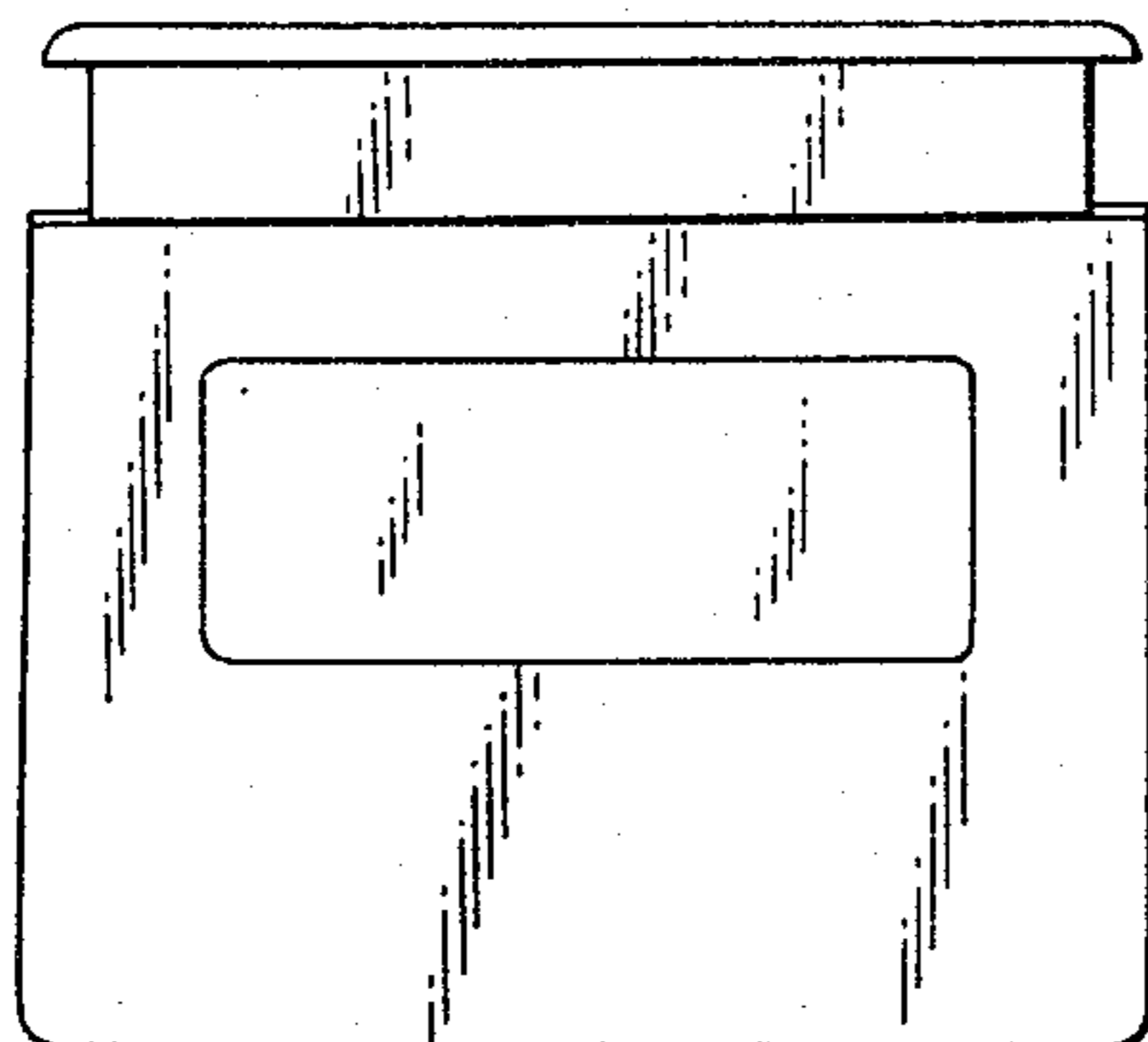


FIG. 4

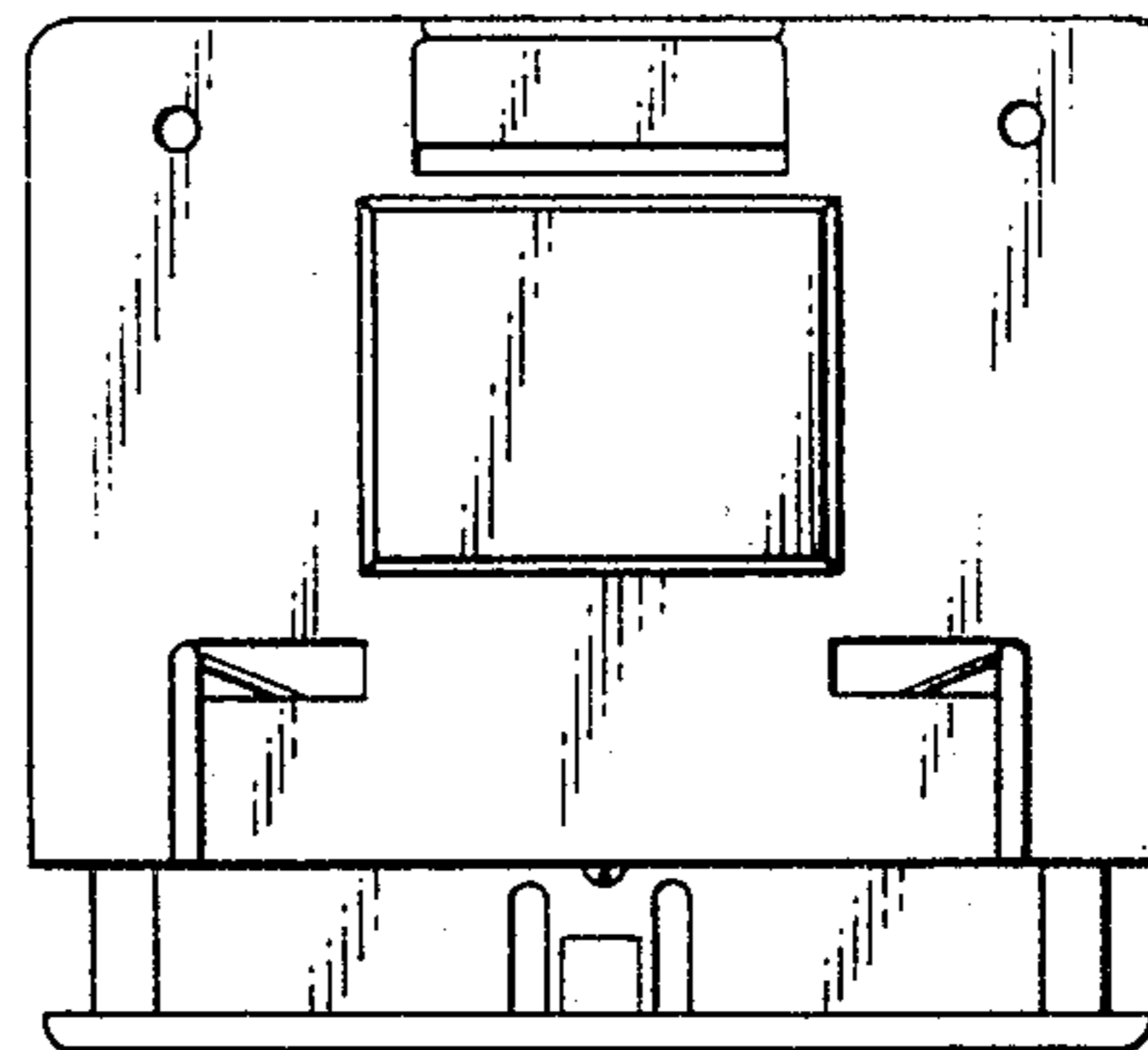


FIG. 5

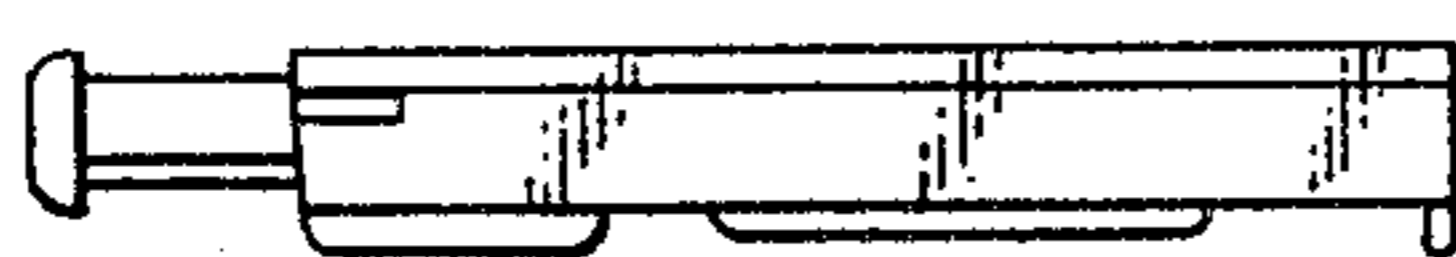


FIG. 6



FIG. 7

