

[54] COMBINED RULER, CALCULATOR AND CLOCK

[75] Inventor: Chambers Wong, Kowloon, Japan

[73] Assignee: Far East United Electronics Limited, Kowloon, Hong Kong

[\*\*] Term: 14 Years

[21] Appl. No.: 598,834

[22] Filed: Apr. 10, 1984

[30] Foreign Application Priority Data

Oct. 12, 1983 [GB] United Kingdom ..... 1015630

[52] U.S. Cl. .... D18/2; D10/71; D10/2

[58] Field of Search ..... D10/2, 15, 71; D18/2, D18/7; 368/10; 33/125 A, 403, 484, 485, 488

[56] References Cited

U.S. PATENT DOCUMENTS

- D. 201,300 6/1965 Seely ..... D10/71
- D. 245,109 7/1977 Yoshioka ..... D10/71 X
- D. 251,252 3/1979 Kamila ..... D10/71 X
- D. 259,476 6/1981 Feingold ..... D10/71
- D. 264,729 6/1982 Kobayashi ..... D18/2
- D. 271,025 10/1983 Li ..... D10/71 X

- D. 279,381 6/1985 Leung ..... D18/2
- 1,334,145 3/1920 Eaton ..... D10/71 X
- 4,158,229 6/1979 Woo ..... 33/125 A X
- 4,362,393 12/1982 Tissot ..... 368/10 X

FOREIGN PATENT DOCUMENTS

179601 11/1982 Japan ..... 33/485

OTHER PUBLICATIONS

Hong Kong Enterprises-12/81, p. 38 item #635-Ruler/Pencil Box/Calculator at bottom-center.

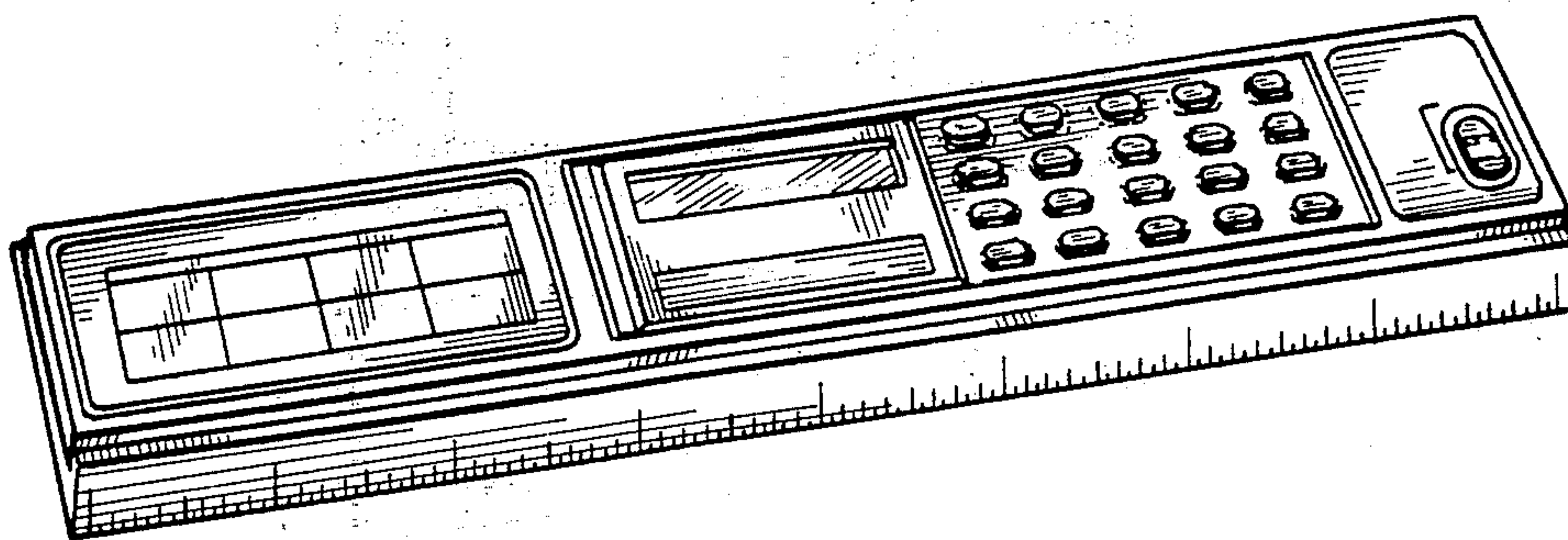
Primary Examiner—Nelson C. Holtje  
Attorney, Agent, or Firm—Abelman Frayne Rezac & Schwab

[57] CLAIM

The ornamental design for a combined ruler, calculator and clock, as shown and described.

DESCRIPTION

FIG. 1 is a top and left front perspective view of a combined ruler, calculator and clock showing my new design;  
FIG. 2 is a bottom and right rear perspective view thereof;  
FIG. 3 is a top-right perspective view thereof with the clock/calculator in a removed and inverted position.



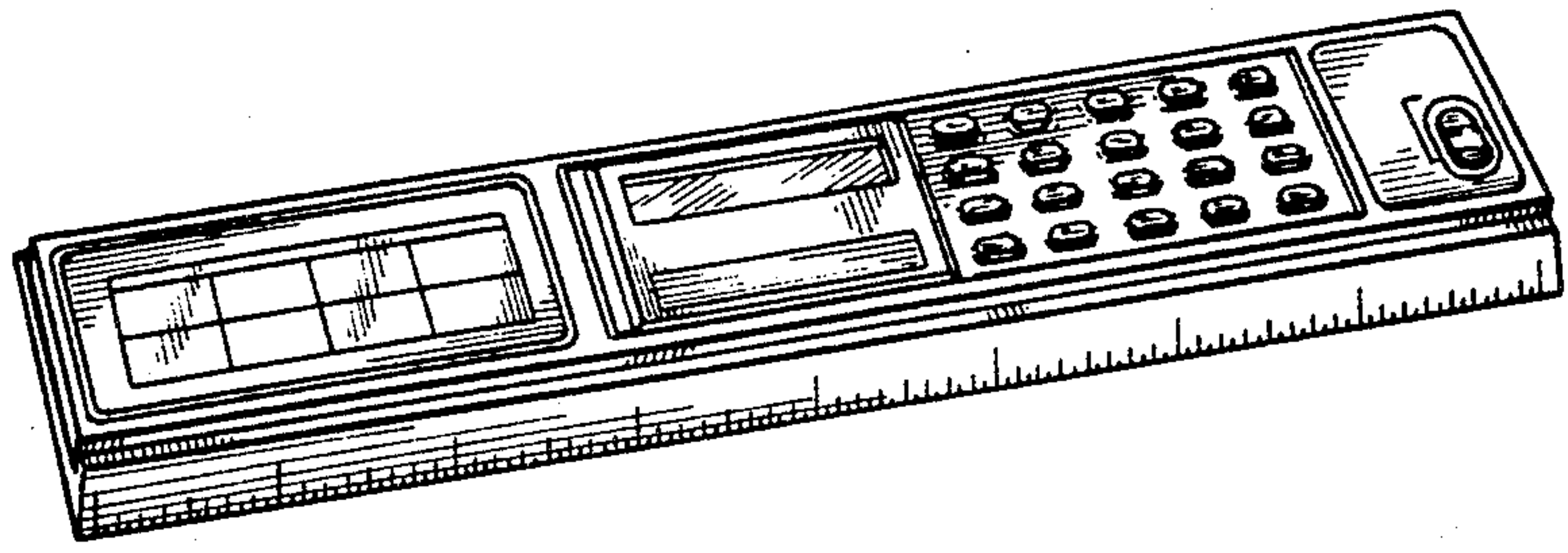


FIG. 1

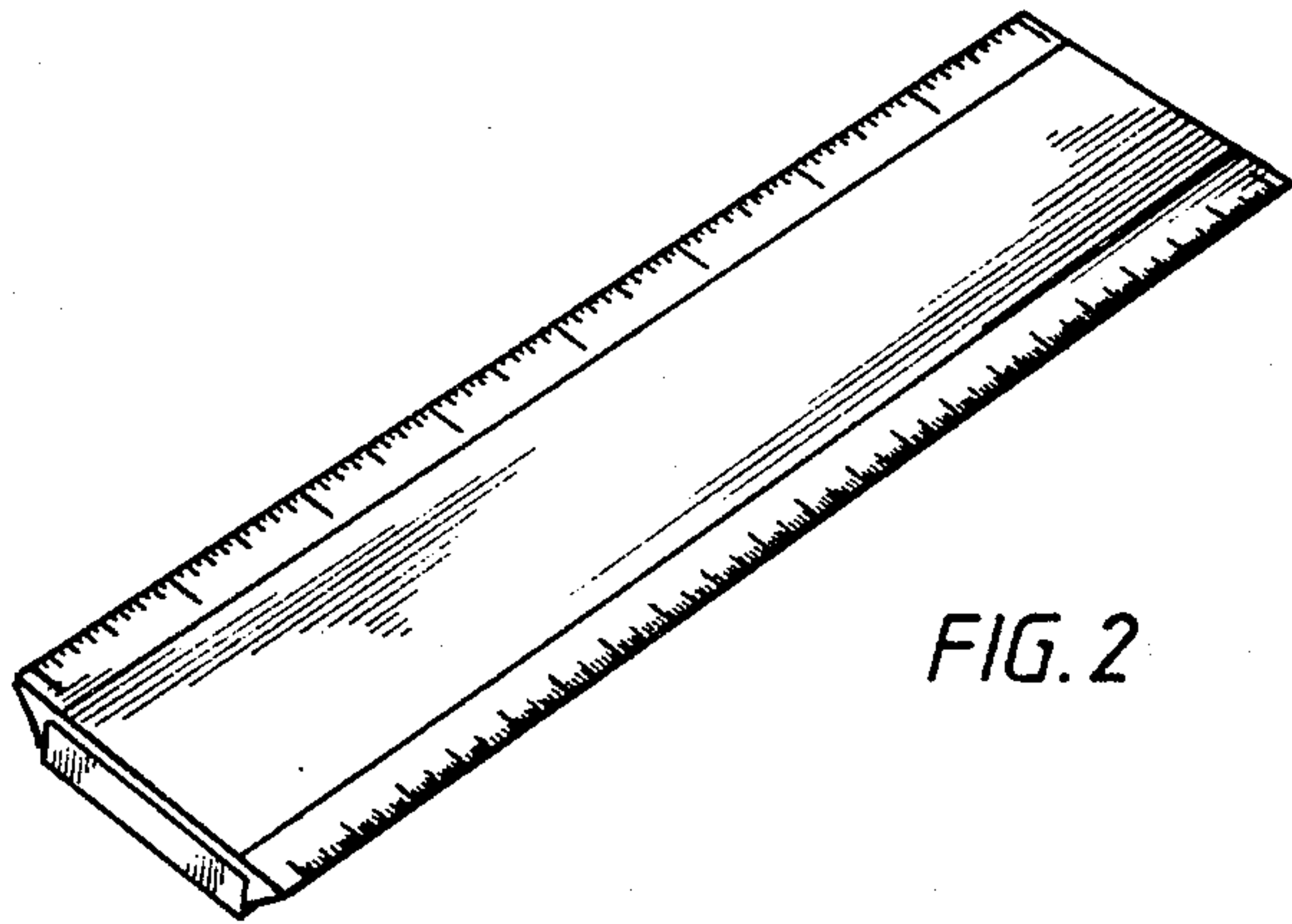


FIG. 2

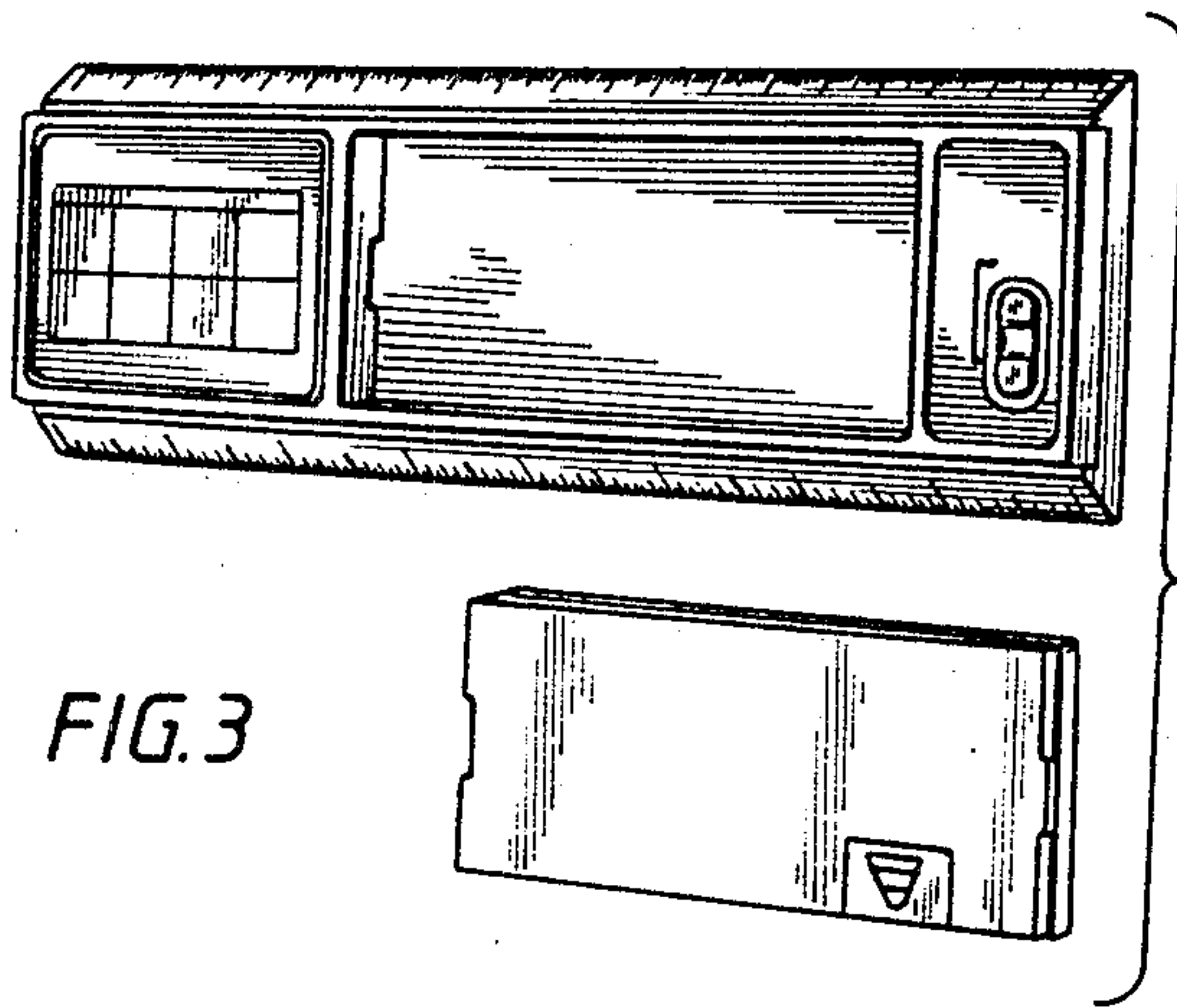


FIG. 3