

[54] **PRINTER CONSOLE**

[75] Inventors: **William G. Moggridge; Stephen R. Hobson**, both of Palo Alto; **Eric E. May**, Los Altos; **Michael T. Sherick**, Thousand Oaks, all of Calif.

[73] Assignee: **Advanced Matrix Technology, Inc.**, Newbury Park, Calif.

[**] Term: **14 Years**

[21] Appl. No.: **572,811**

[22] Filed: **Jan. 23, 1984**

[52] U.S. Cl. **D14/111**

[58] Field of Search **D14/100, 107, 111; D18/13, 22; 400/693**

[56] **References Cited**

U.S. PATENT DOCUMENTS

D. 266,849 11/1982 Meister, Jr. et al. **D14/111**

OTHER PUBLICATIONS

Brother Daisy Wheel Printer H R-15 Brochure, 1-1983, Printer.

Computer Design, 3-1980, p. 100, Centronics Printer. Computer Design, 5-1982, p. 235, NSA 150 cps Matrix Printer.

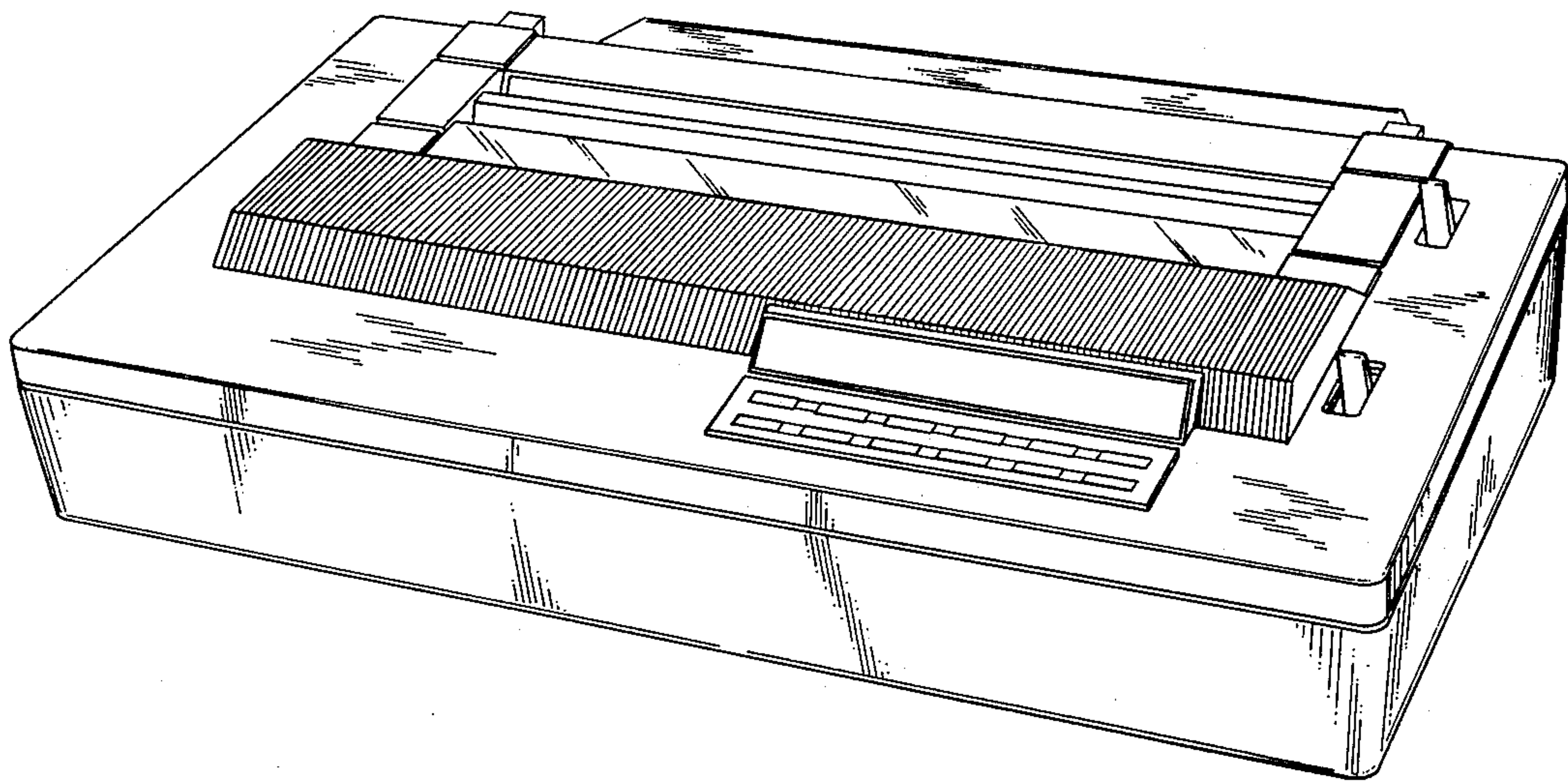
Primary Examiner—Susan J. Lucas
Attorney, Agent, or Firm—Fraser and Bogucki

[57] **CLAIM**

The ornamental design for a printer console, substantially as shown and described.

DESCRIPTION

FIG. 1 is a front, top perspective view of a printer console showing our new design; FIG. 2 is a top plan view thereof; FIG. 3 is a front elevational view thereof; FIG. 4 is a rear elevational view thereof; and FIG. 5 is a side elevational view thereof.



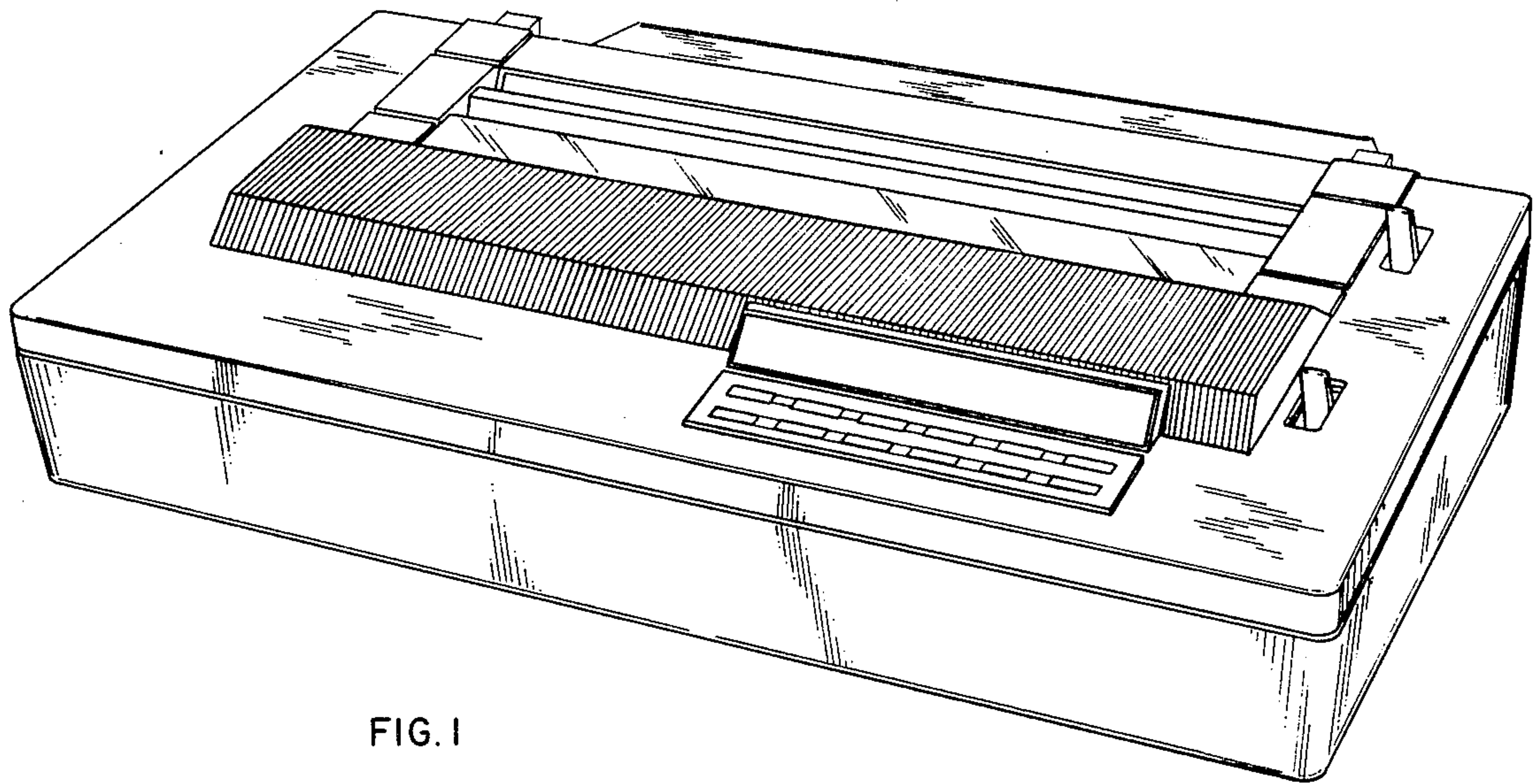


FIG. 1

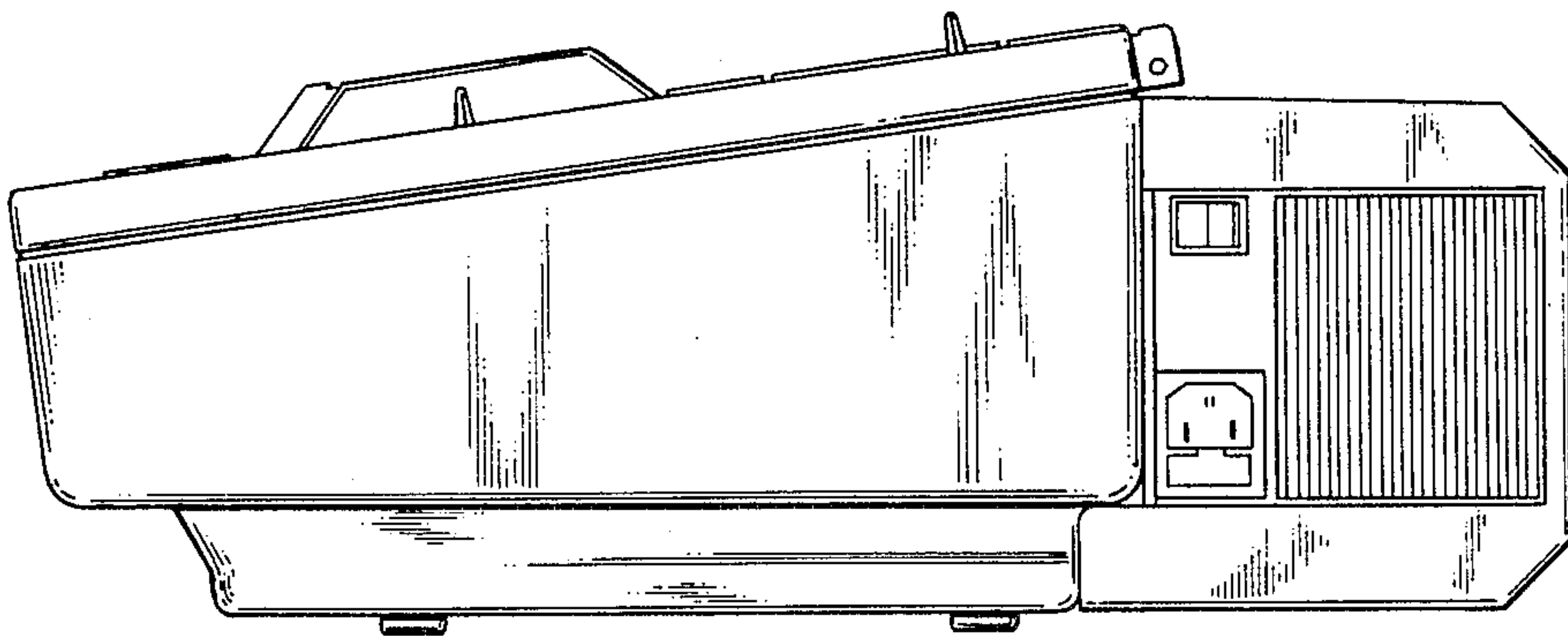


FIG. 5

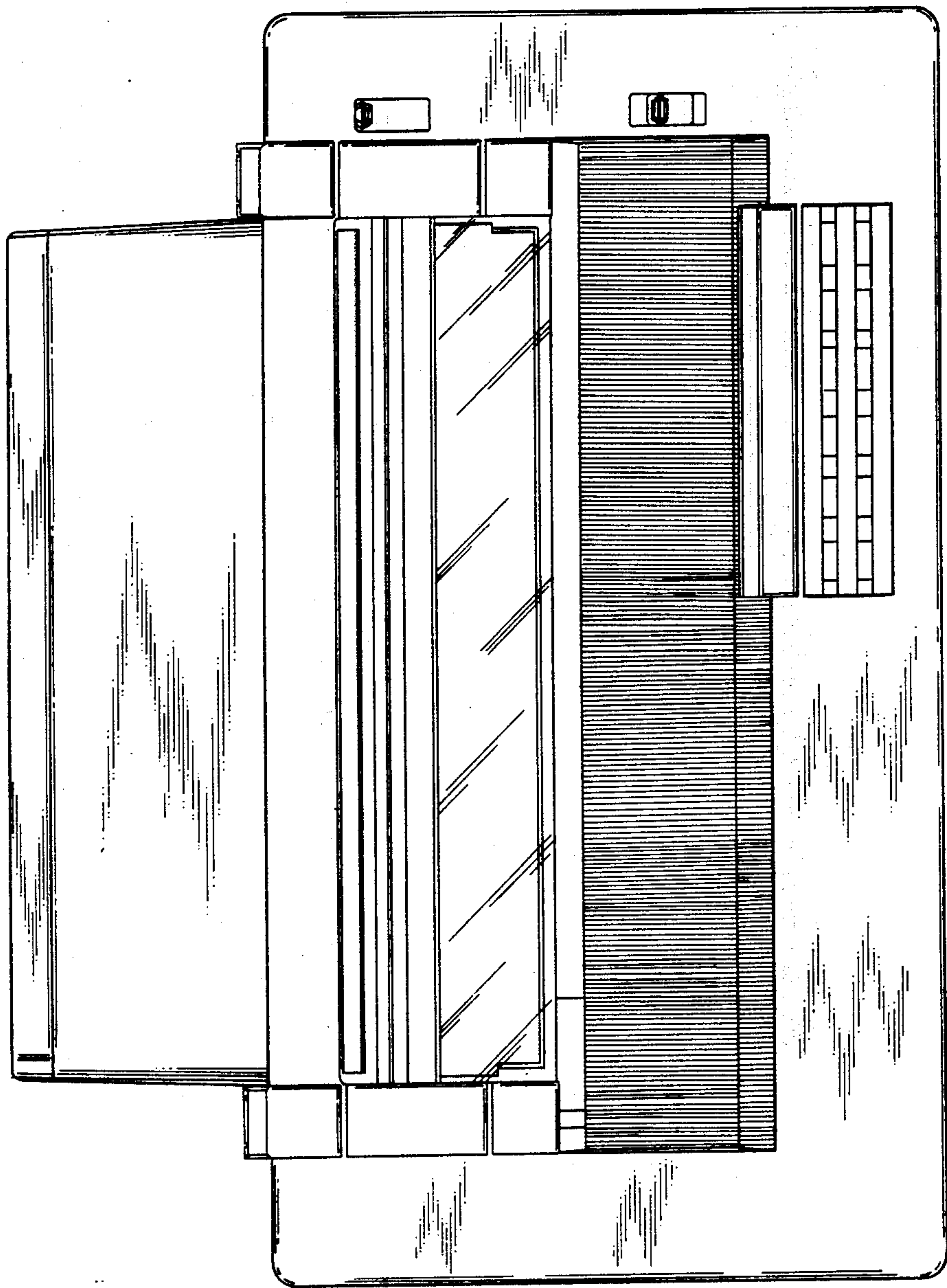


FIG. 2

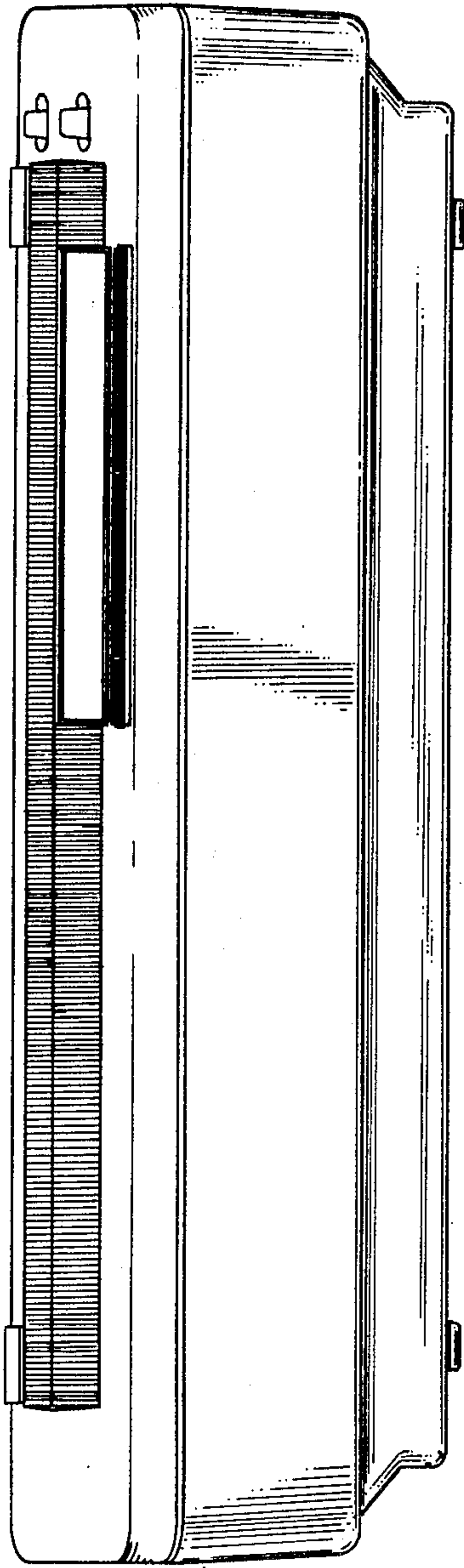


FIG. 3

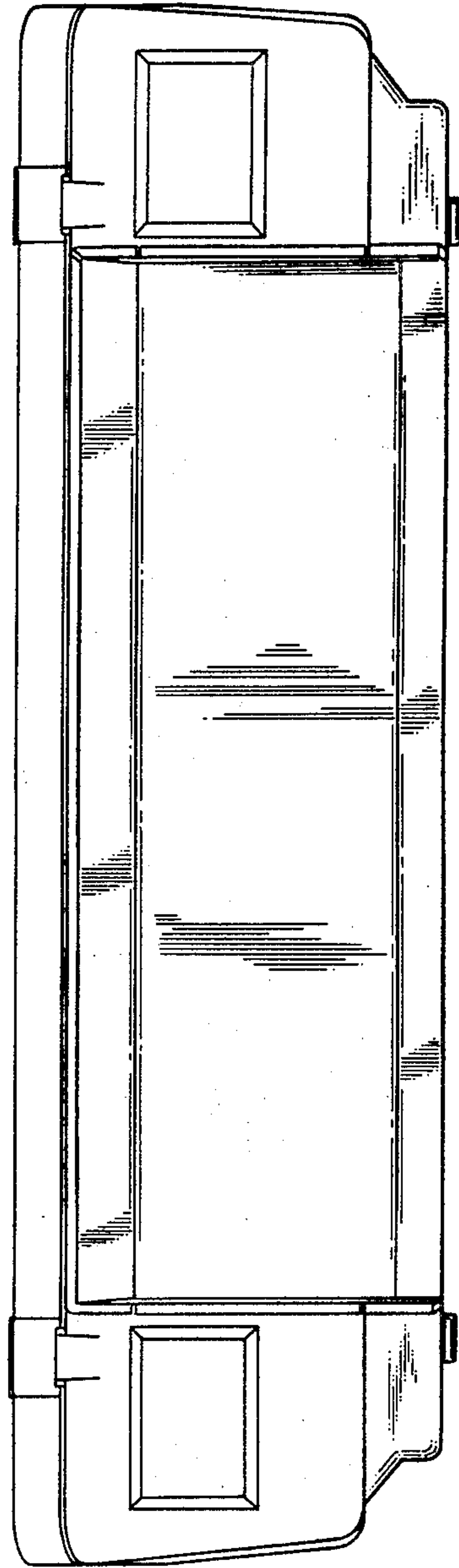


FIG. 4