

[54] TELEPHONE INSTRUMENT BASE

[75] Inventors: Kenneth R. Cooke, New York; Vito L. Porcelli, Ossining, both of N.Y.

[73] Assignee: AT&T Technologies, Inc., New York, N.Y.

[**] Term: 14 Years

[21] Appl. No.: 702,970

[22] Filed: Aug. 10, 1984

Related U.S. Application Data

[62] Division of Ser. No. 570,944, Jan. 16, 1984, Pat. No. Des. 271,571.

[52] U.S. Cl. D14/60; D14/62; D14/53

[58] Field of Search D14/60, 52, 53, 59, D14/65; 179/179, 100 D, 100 R

[56] References Cited

U.S. PATENT DOCUMENTS

- D. 213,565 3/1969 Janda D26/14
- D. 231,650 5/1974 Eubank et al. D26/14 A
- D. 259,421 6/1981 Janda D14/60
- D. 265,401 7/1982 Genaro et al. D14/60

- D. 269,612 7/1983 Foggia et al. D14/58
- D. 271,973 12/1983 Janda D14/60
- D. 277,958 3/1985 Cooke et al. D14/60
- D. 278,434 4/1985 Nestell D14/60

OTHER PUBLICATIONS

Hongkong Household Bearing, date 10-83; Cordless Telephone Sets: p. 36, Autotronics Model; p. 37, Soundic Electronics.

B. A. Pargh Co. Cat. ©1983; at p. 5, GTE Model 77421 Stand; at p. 18, GE Model 29650-Base at right; at p. 30, Phone Mate Model 1Q850.

Radio Shack 1983 Catalog No. 354; ©1982; at p. 158 Radio Shack Model ET-330.

Primary Examiner—James R. Largen

Assistant Examiner—Horace B. Fay

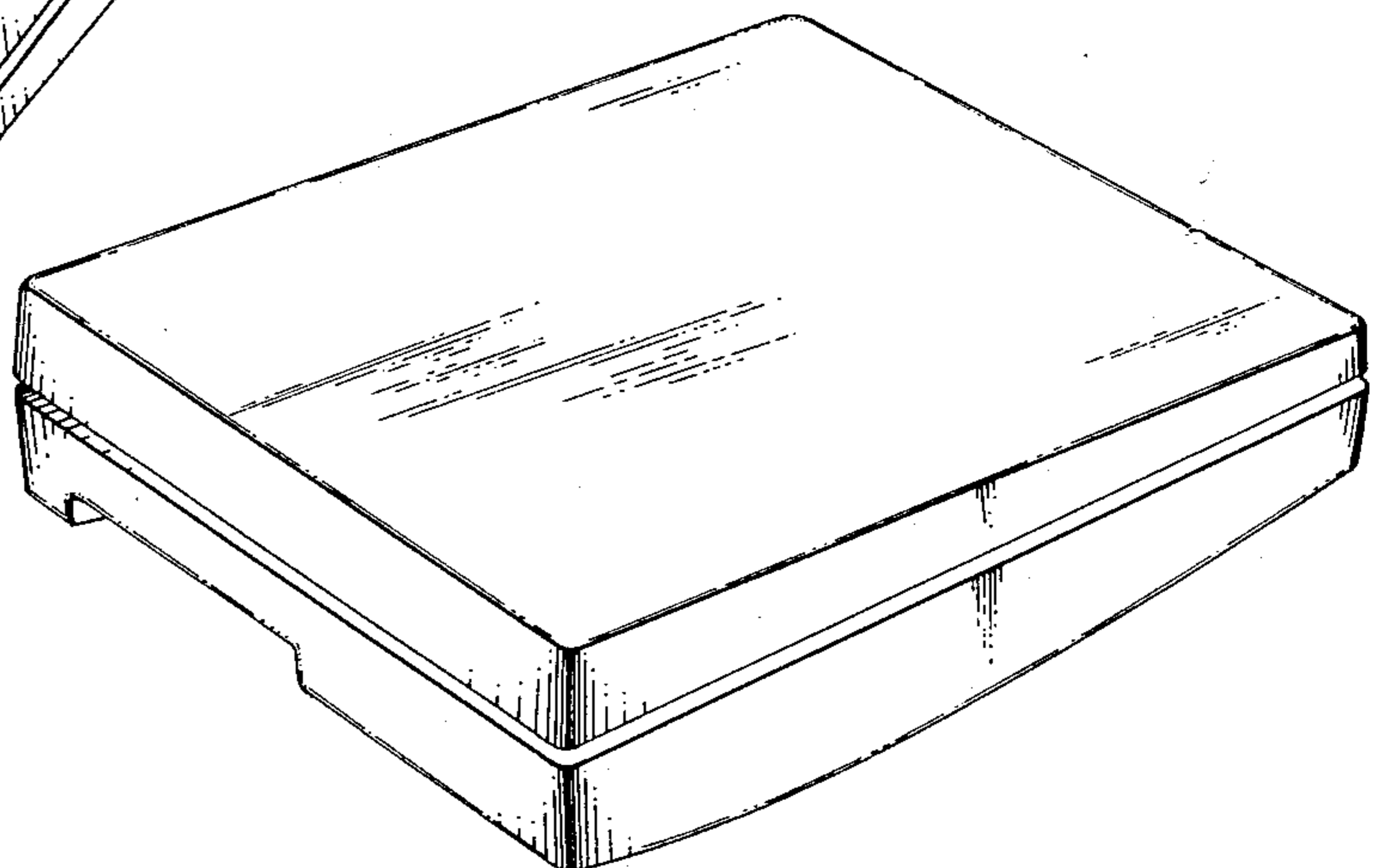
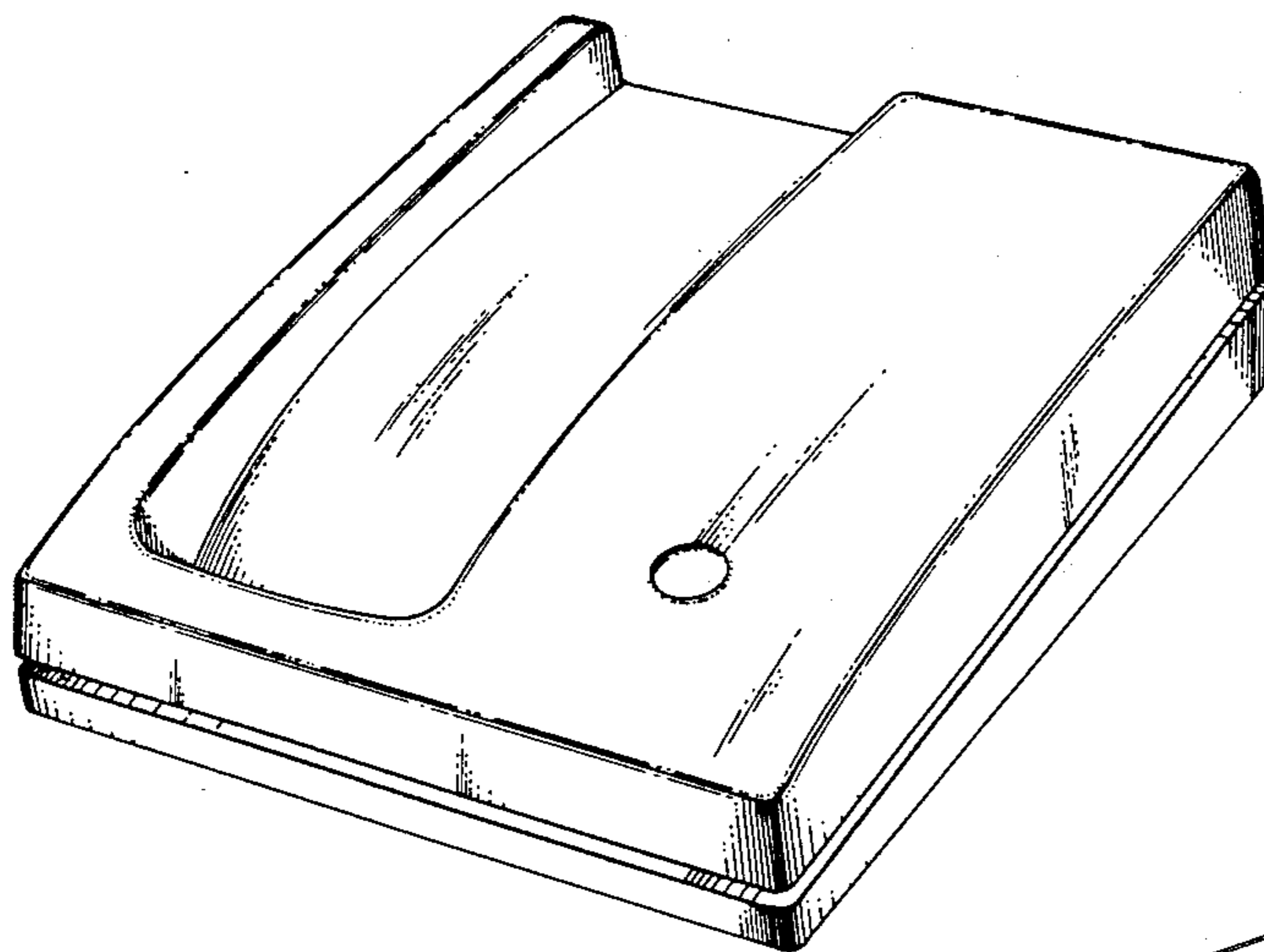
Attorney, Agent, or Firm—John A. Caccuro

[57] CLAIM

The ornamental design for a telephone instrument base, substantially as shown and described.

DESCRIPTION

FIG. 1 is a front top perspective view of a telephone instrument base showing our new design; and FIG. 2 is a rear bottom perspective view thereof.



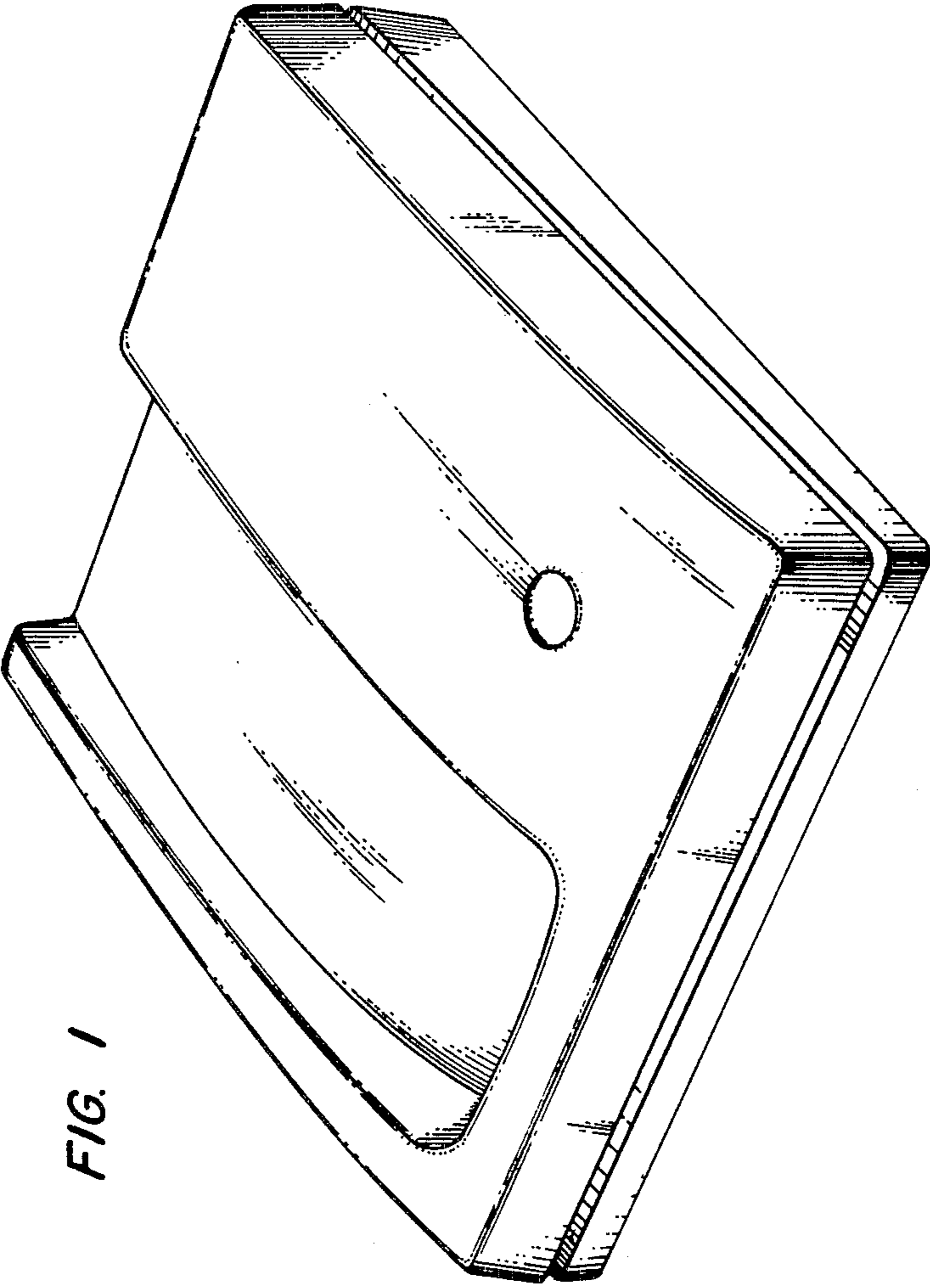


FIG. 1

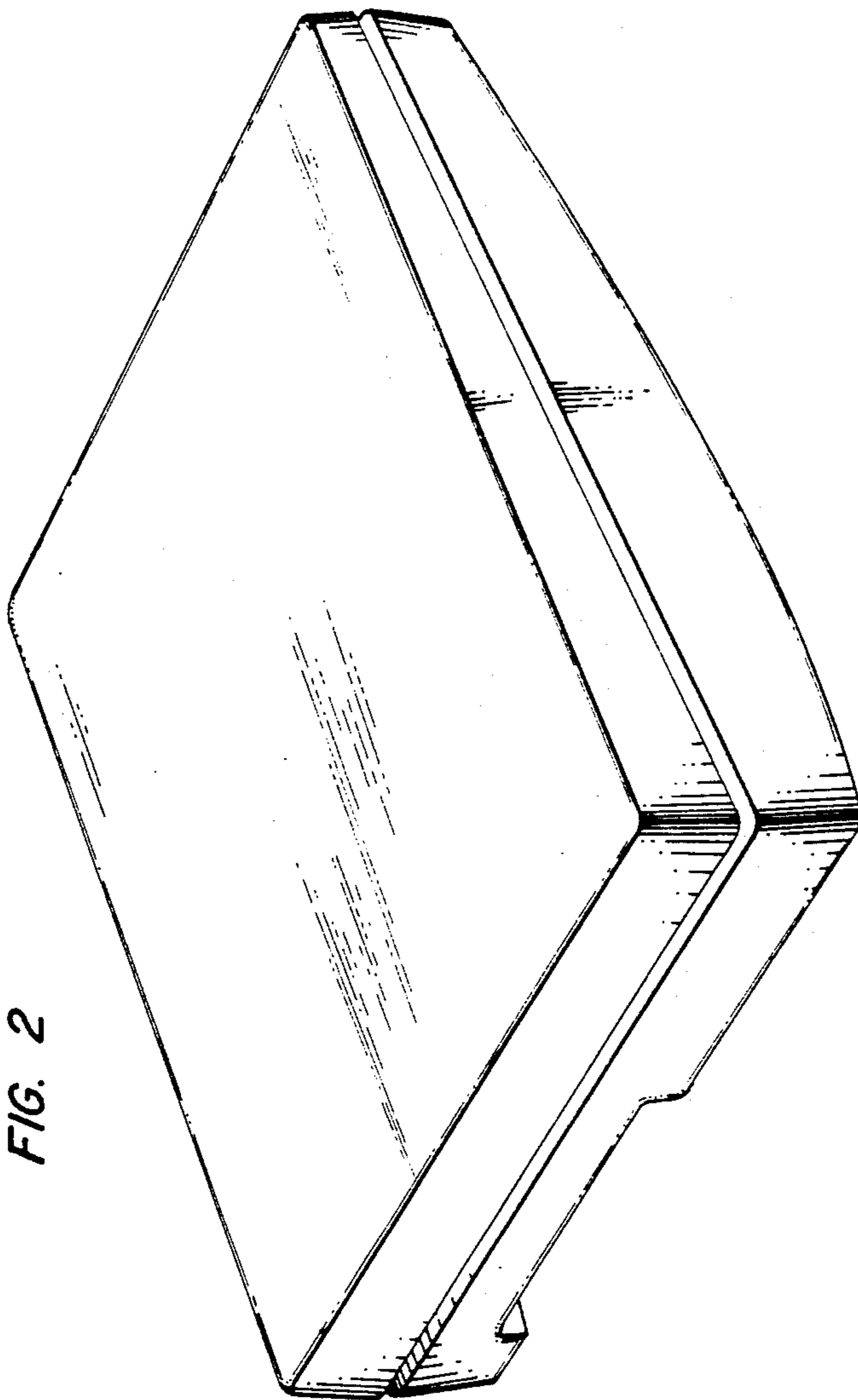


FIG. 2