

[54] SPEAKER STAND

[76] Inventor: Robert Tucker, 2428 Canyon Dr., Hollywood, Calif. 90068

[**] Term: 14 Years

[21] Appl. No.: 613,406

[22] Filed: May 24, 1984

[52] U.S. Cl. D14/38; D14/30

[58] Field of Search D14/30, 31, 33, 38, D14/39; 179/146 R, 146 E; 381/87, 88, 90; D6/488, 449, 462; D25/77, 87

[56] References Cited

U.S. PATENT DOCUMENTS

- D. 243,306 2/1977 Moyer D6/488 X
- D. 260,461 9/1981 Cohen et al. D14/38

D. 261,708 11/1981 Ligrano D14/38

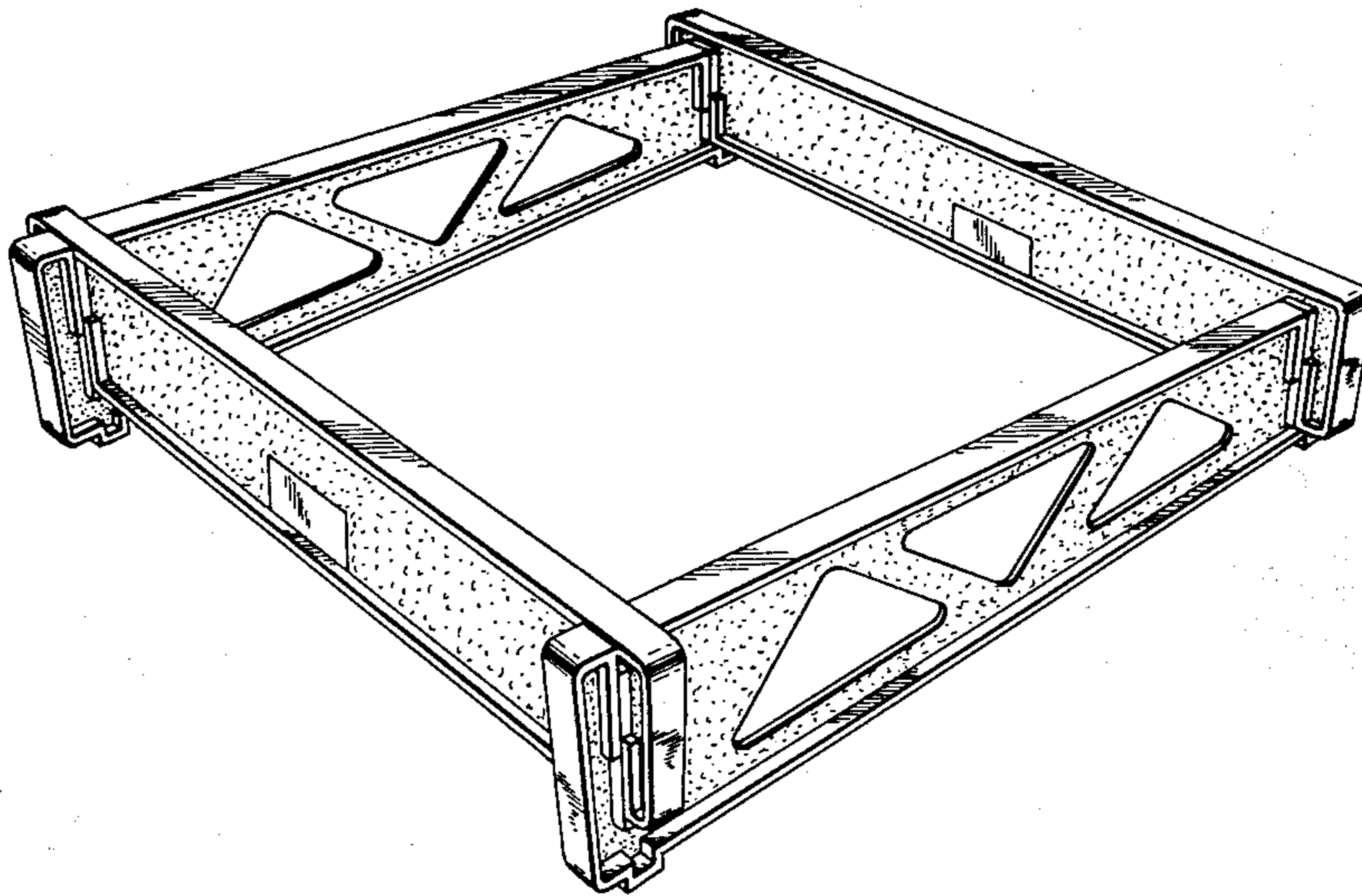
Primary Examiner—Bernard Ansher
Assistant Examiner—Theodore M. Shooman
Attorney, Agent, or Firm—Schwartz, Jeffery, Schwaab, Mack, Blumenthal & Evans

[57] CLAIM

The ornamental design for a speaker stand, as shown and described.

DESCRIPTION

FIG. 1 is a top, front and side perspective view of a speaker stand showing my new design;
FIG. 2 is a right side elevational view thereof, the left side being a mirror image;
FIG. 3 is a front elevational view thereof;
FIG. 4 is a rear elevational view thereof; and
FIG. 5 is a bottom plan view thereof.



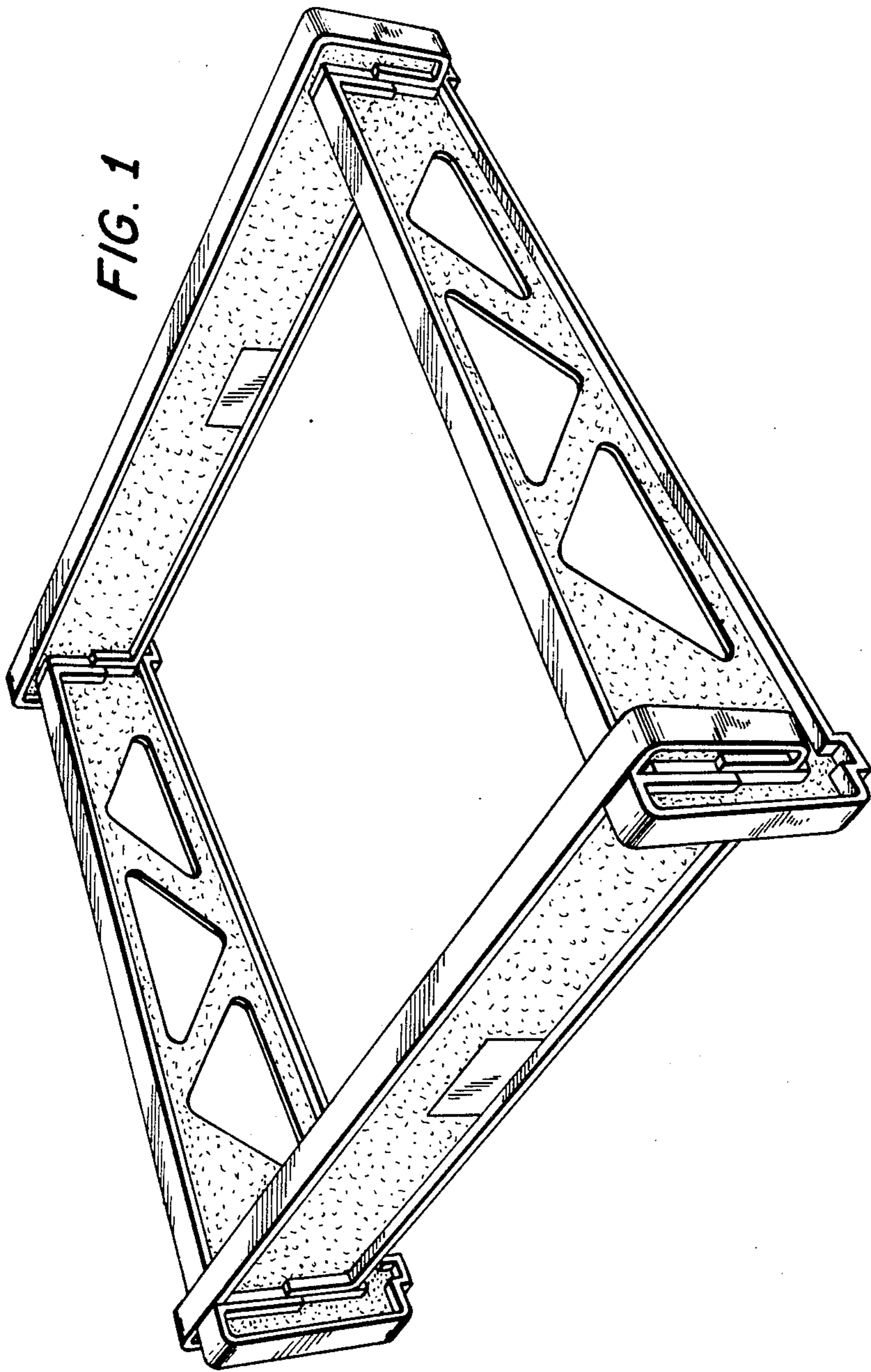


FIG. 1

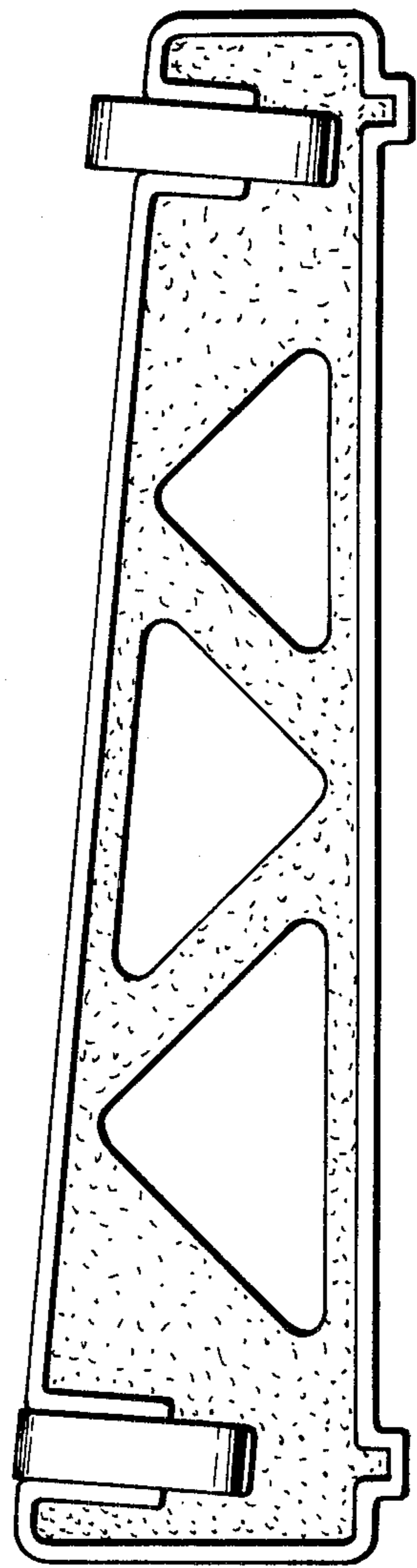


FIG. 2

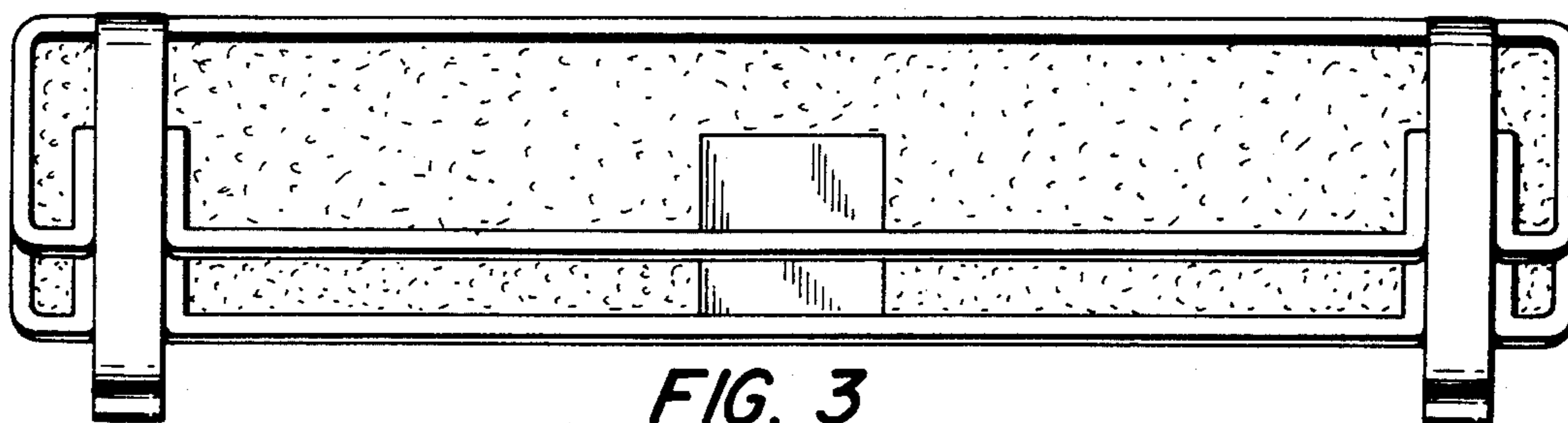


FIG. 3

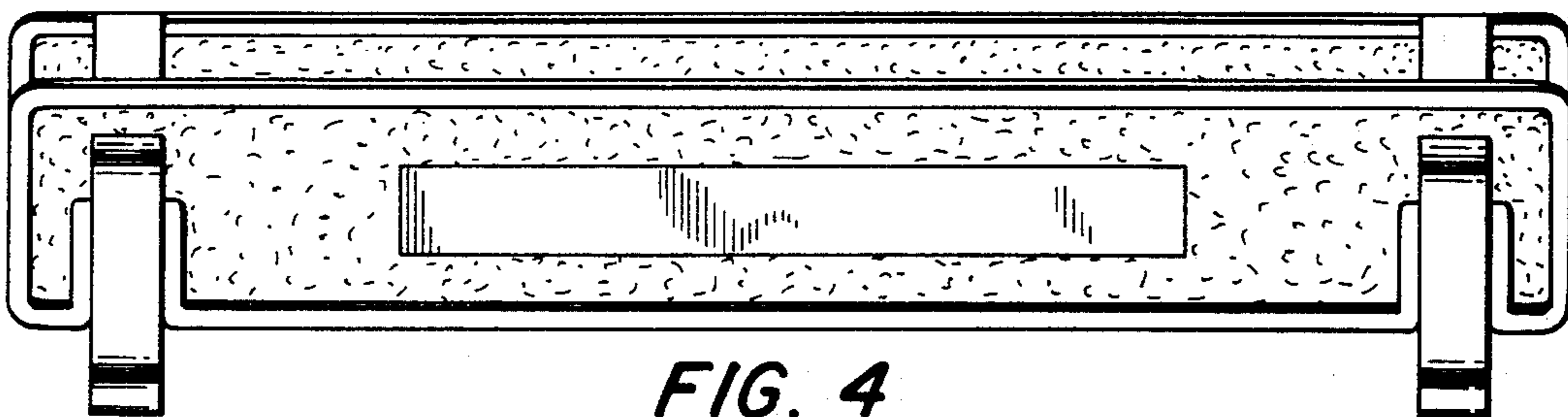


FIG. 4

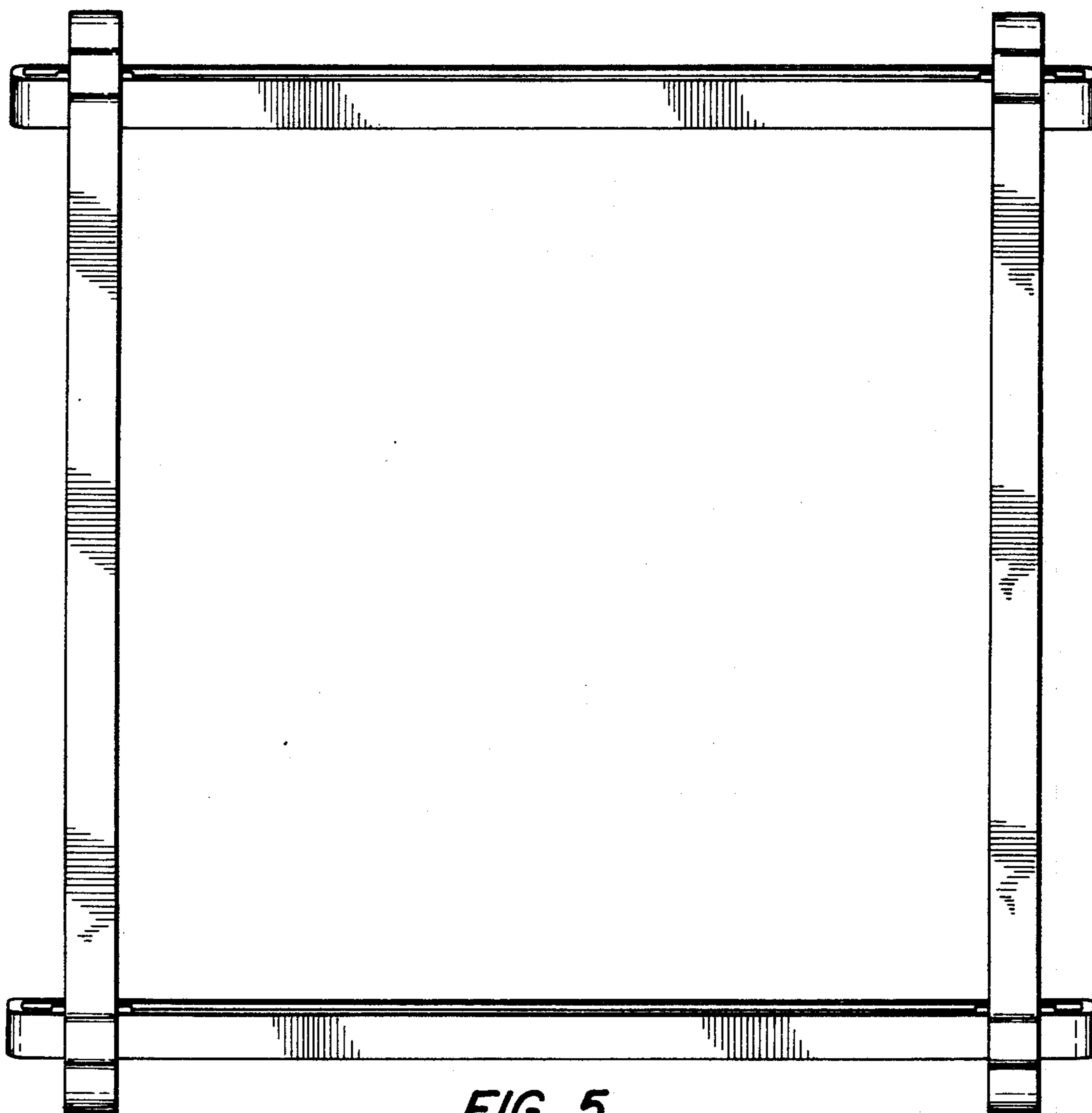


FIG. 5