

[54] **ELECTRICAL CONNECTOR COVER**

[75] **Inventor: Robert G. Dickie, Keswick, Canada**

[73] **Assignee: Northern Technologies Ltd., Markham, Canada**

[**] **Term: 14 Years**

[21] **Appl. No.: 575,214**

[22] **Filed: Jan. 30, 1984**

[52] **U.S. Cl. D13/24**

[58] **Field of Search D13/24-30; 339/107, 208, 186 R, 186 M, 92**

[56] **References Cited**

U.S. PATENT DOCUMENTS

D. 244,859	6/1977	Jaconette	D13/24
D. 267,088	11/1982	Dahlberg	D13/24
D. 273,104	3/1984	Cousins	D13/30 X
D. 274,718	7/1984	Dickie	D13/24
3,904,265	9/1975	Hollyday et al.	339/208 X
4,272,148	6/1981	Knack, Jr.	339/143 R

FOREIGN PATENT DOCUMENTS

2133638 7/1984 United Kingdom 339/107

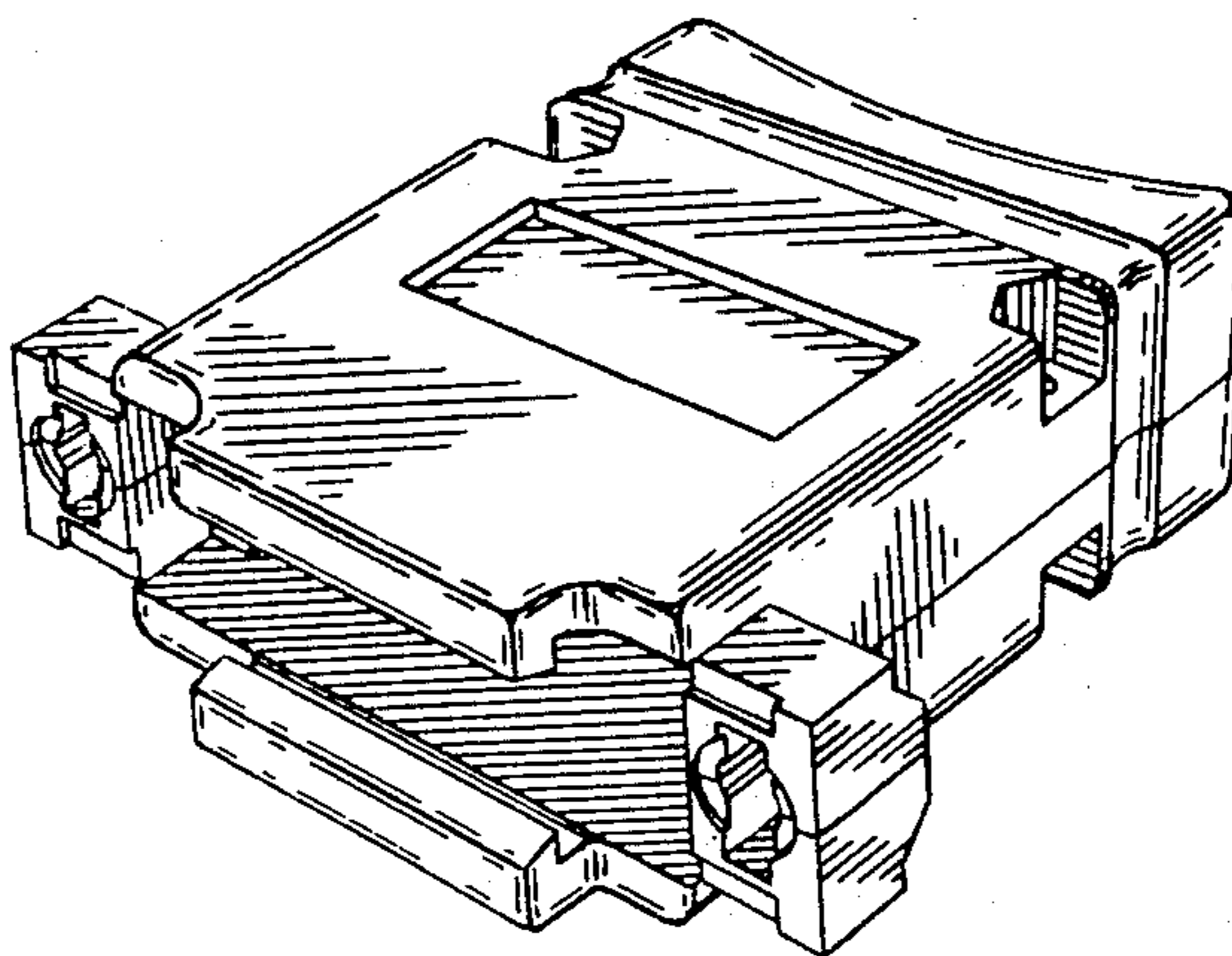
Primary Examiner—Susan J. Lucas
Assistant Examiner—Clare E. Heflin
Attorney, Agent, or Firm—Woodcock Washburn Kurtz Mackiewicz & Norris

[57] **CLAIM**

The ornamental design for an electrical connector cover, as shown.

DESCRIPTION

FIG. 1 is a perspective view of an electrical connector cover showing my new design; FIG. 2 is a front elevational view thereof; FIG. 3 is a rear elevational view thereof; FIG. 4 is a top plan view thereof; FIG. 5 is a bottom plan view thereof; and FIG. 6 is a side elevational view thereof of the side opposite that shown in FIG. 1.



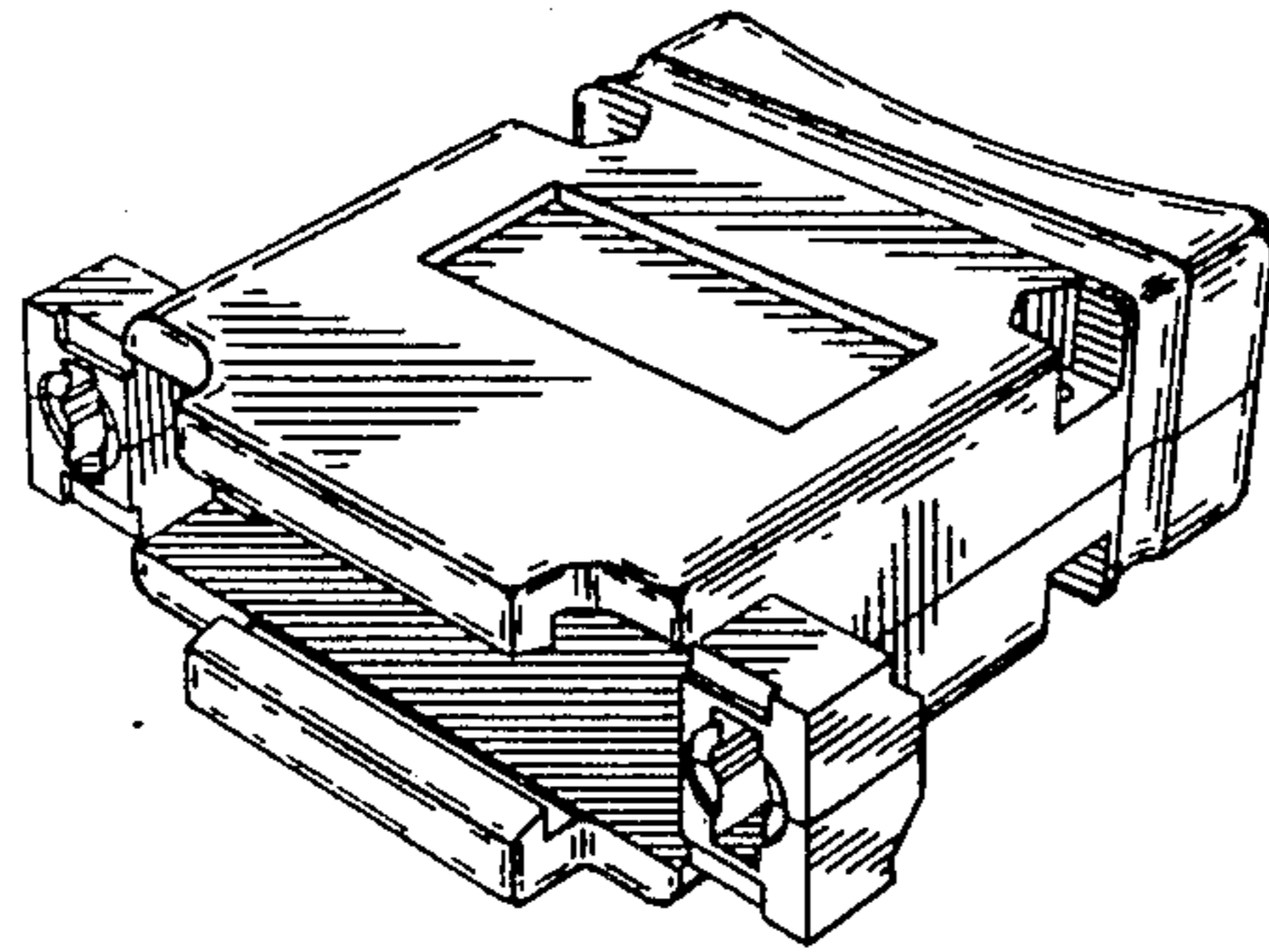


FIG. 1

FIG. 2

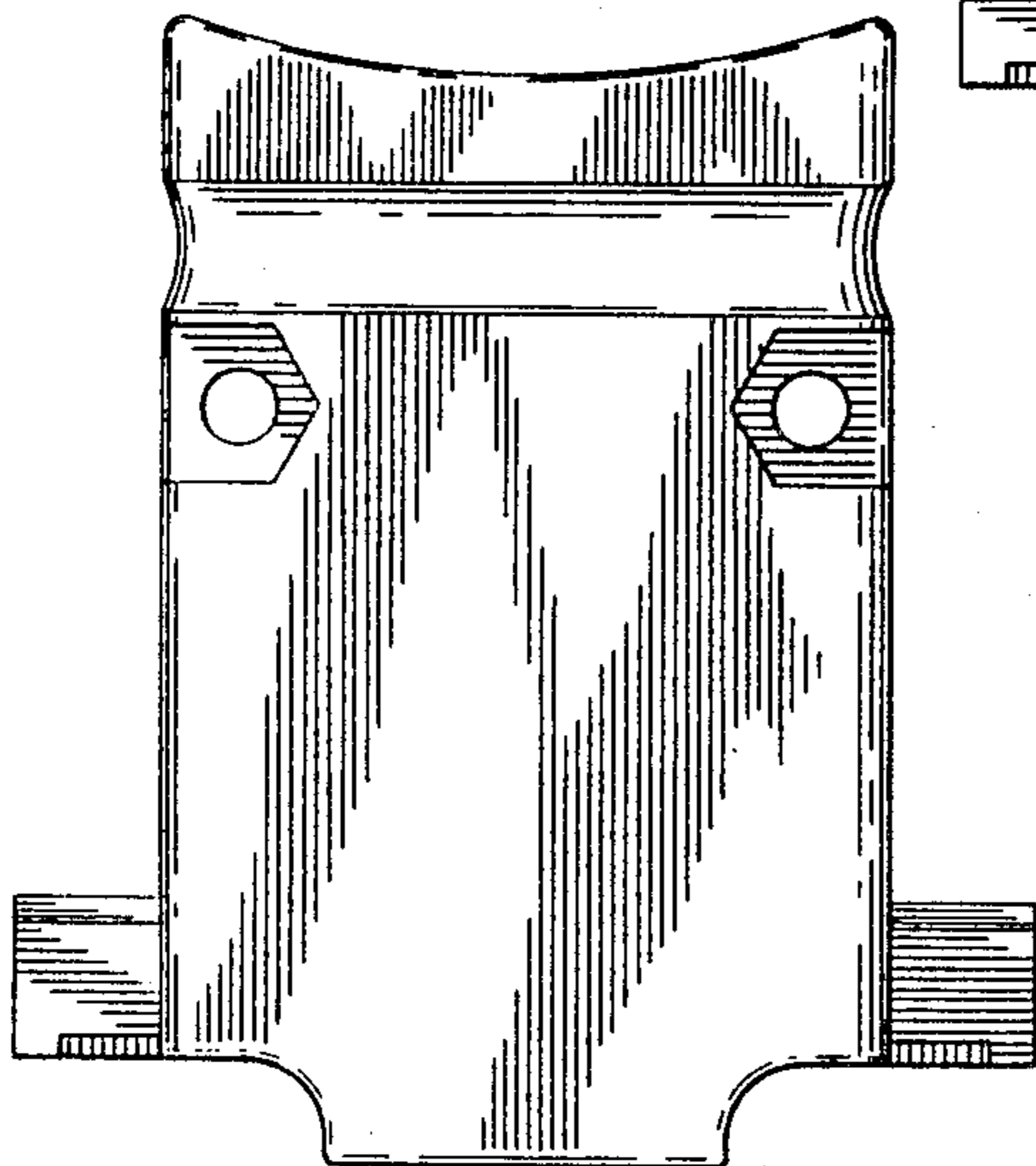
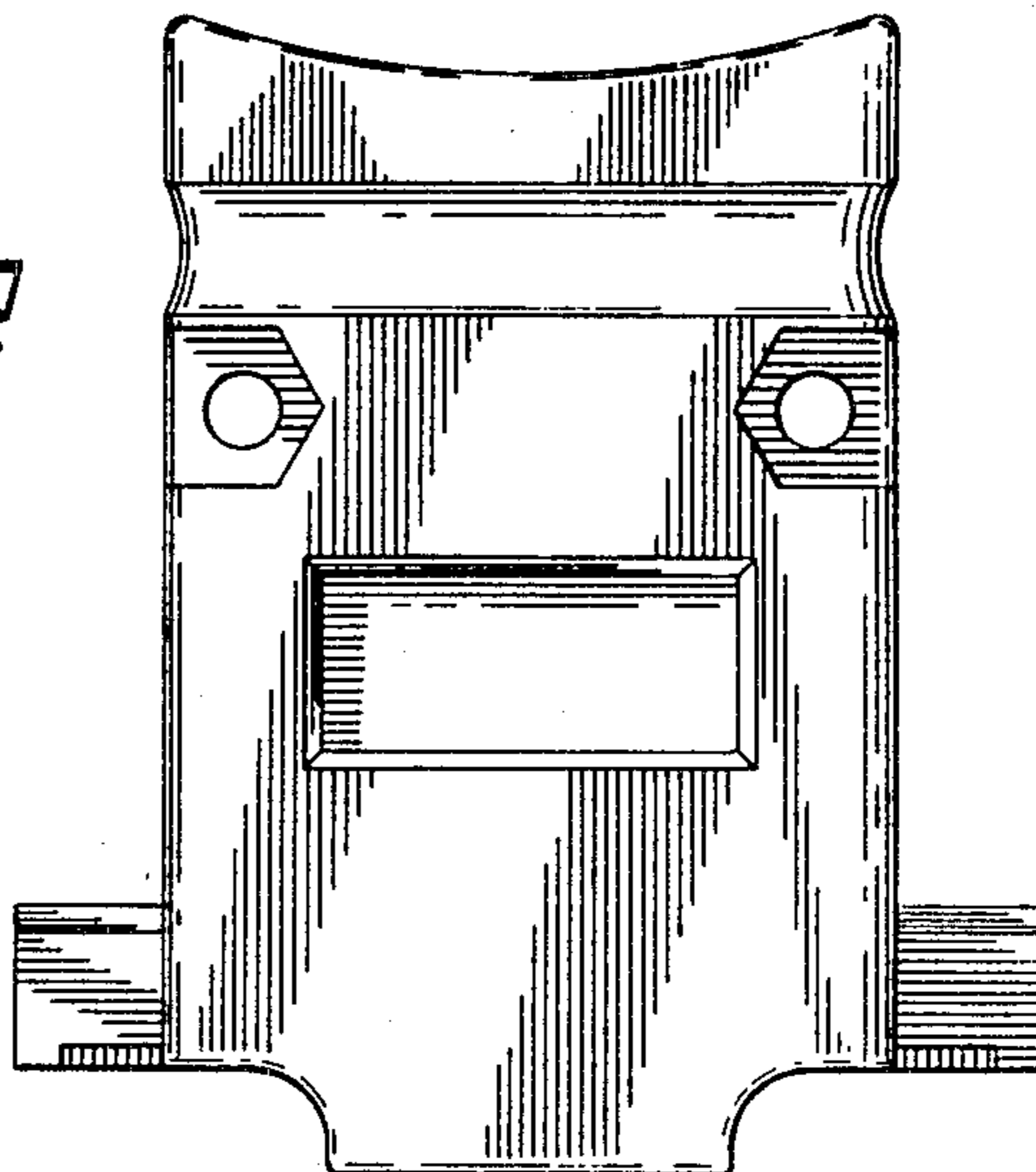


FIG. 3

FIG. 4

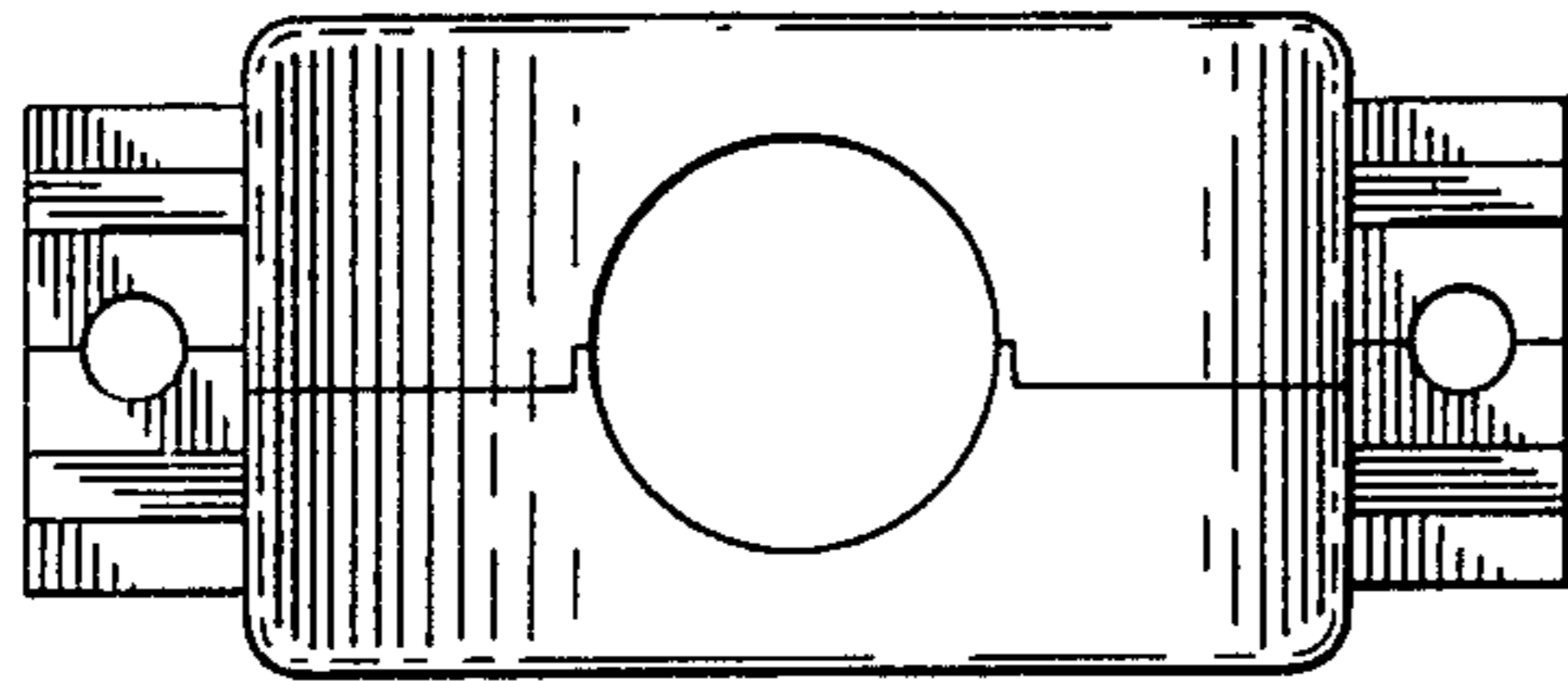


FIG. 5

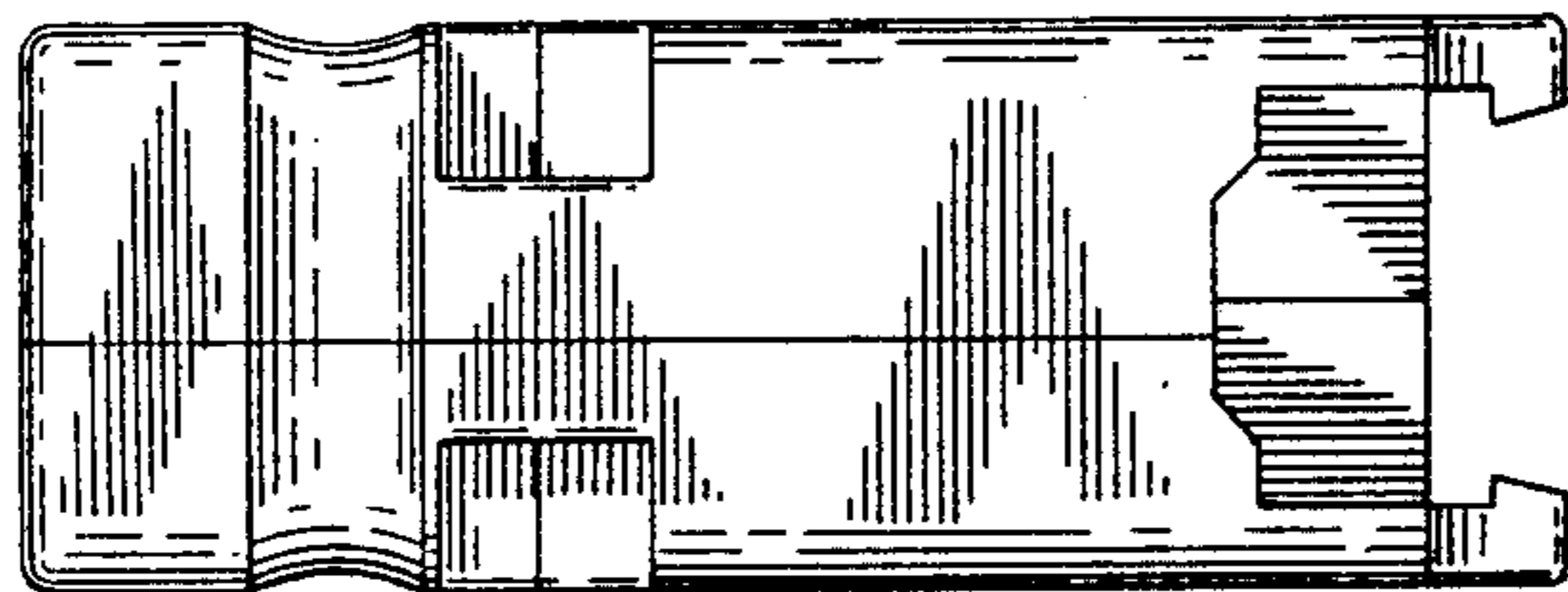
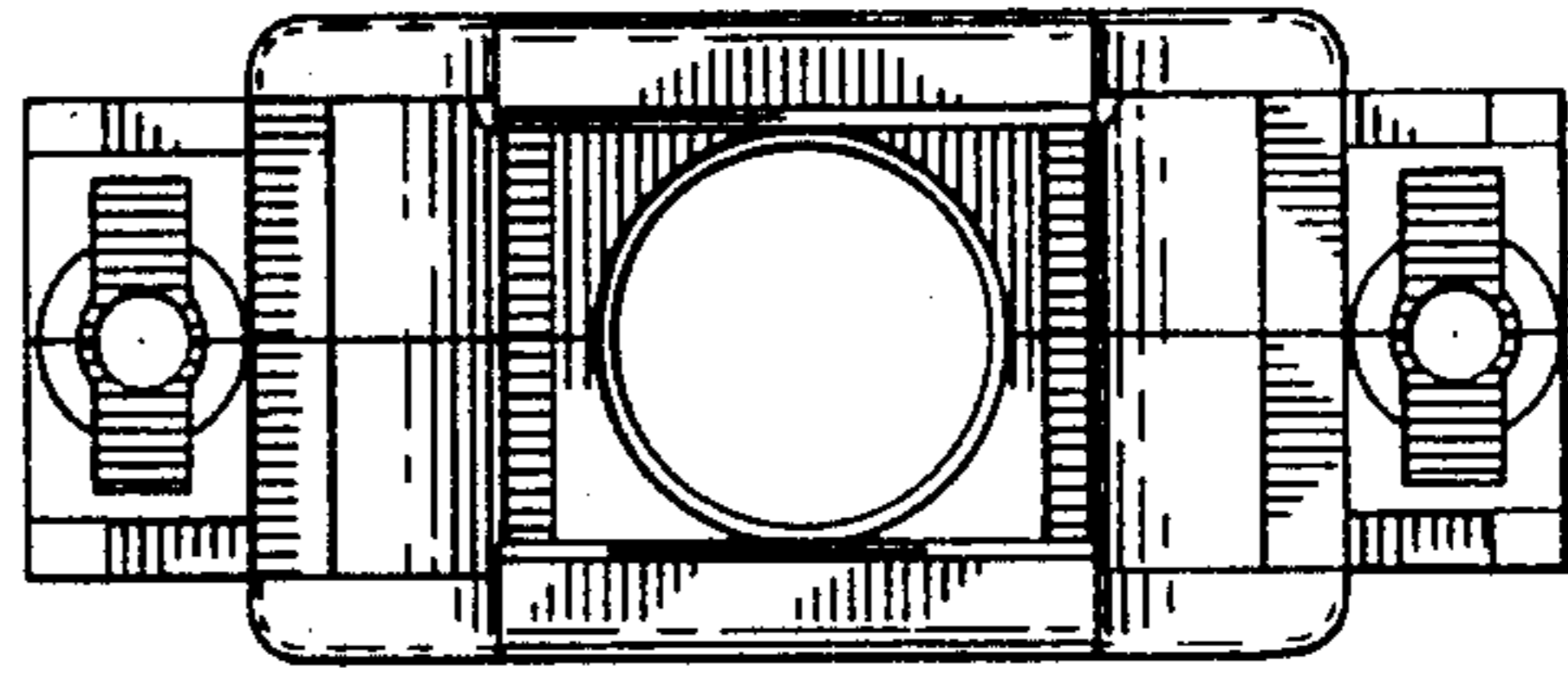


FIG. 6