

[54] **WHEEL**

[75] **Inventor: Ulf A. Sandberg, Kungsbacka, Sweden**

[73] **Assignee: Aktiebolaget Volvo, Goteborg, Sweden**

[\*\*] **Term: 14 Years**

[21] **Appl. No.: 622,283**

[22] **Filed: Jun. 19, 1984**

[52] **U.S. Cl. .... D12/211**

[58] **Field of Search ..... D12/209-211;  
301/63 R, 64 R, 64 SD, 65**

[56] **References Cited  
PUBLICATIONS**

1983 Chrysler E Class brochure, p. 6, Wheel of Chrysler E Class Four-Door Sedan.

*Primary Examiner*—James M. Gandy  
*Attorney, Agent, or Firm*—Young & Thompson

[57] **CLAIM**

The ornamental design for a wheel, as shown.

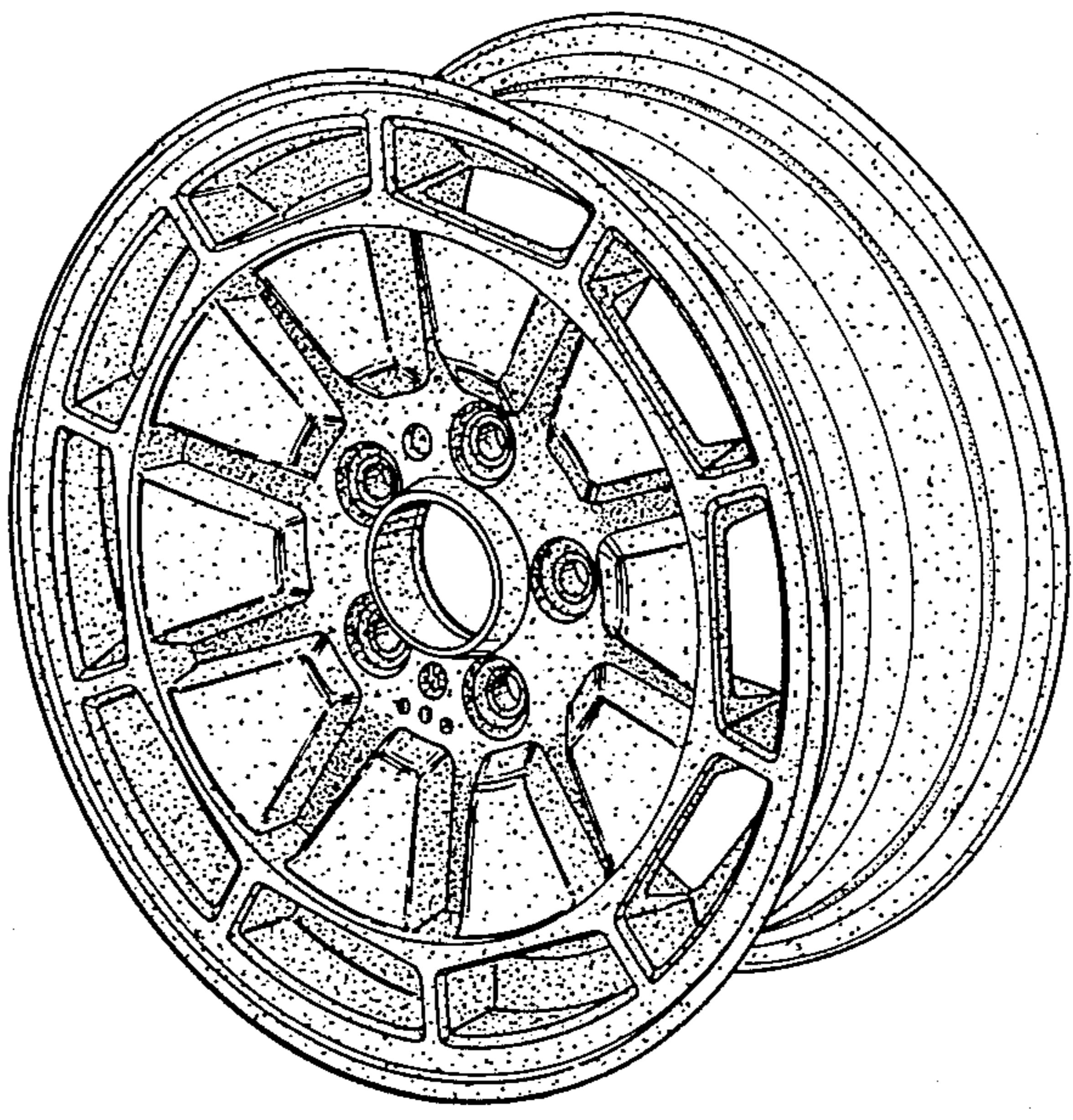
**DESCRIPTION**

FIG. 1 is a front and side perspective view of a wheel showing my new design;

FIG. 2 is a side elevational view thereof;

FIG. 3 is a front perspective view thereof, taken slightly from the above;

FIG. 4 is a rear perspective view thereof, taken slightly from the above.



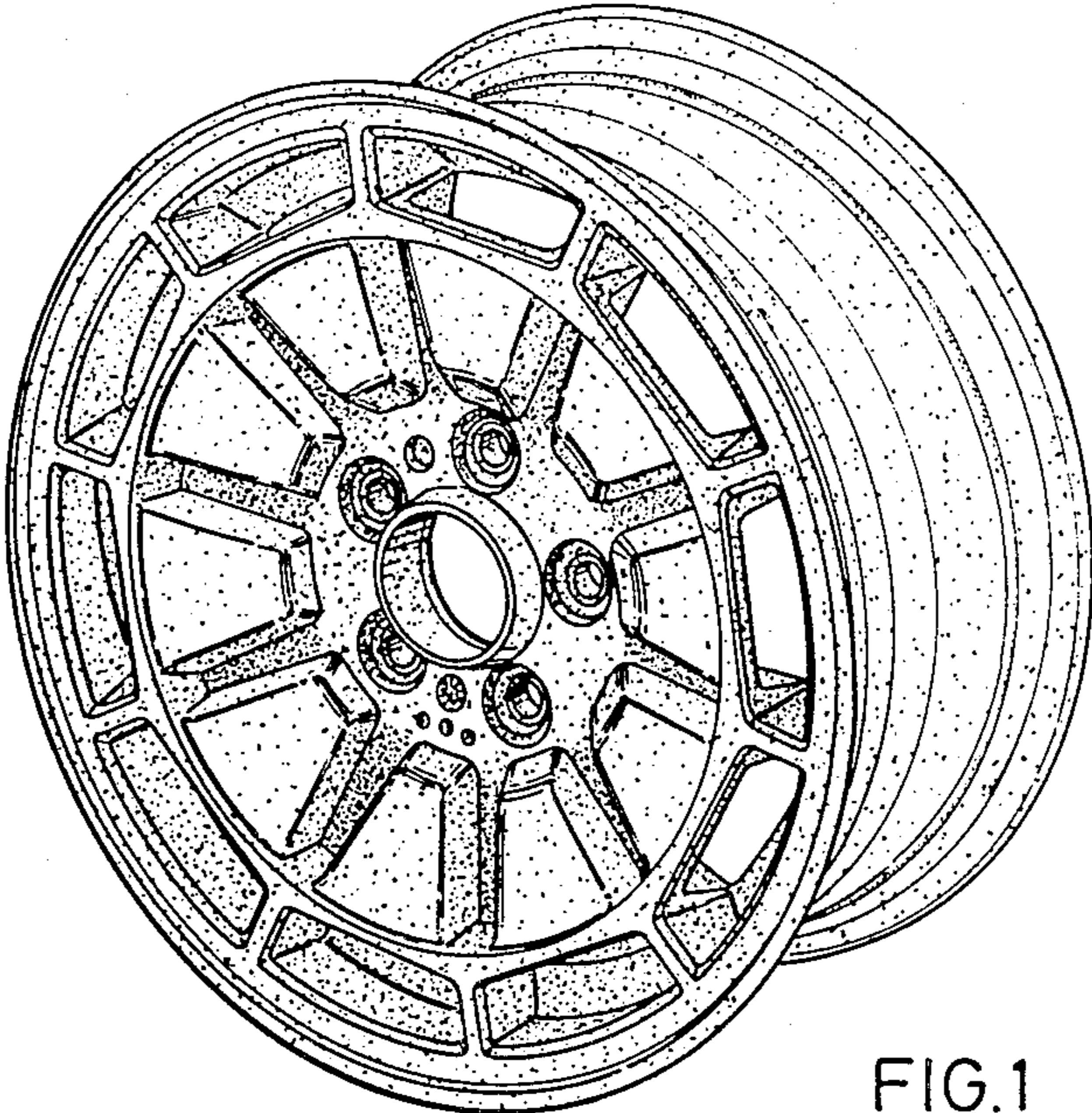


FIG. 1

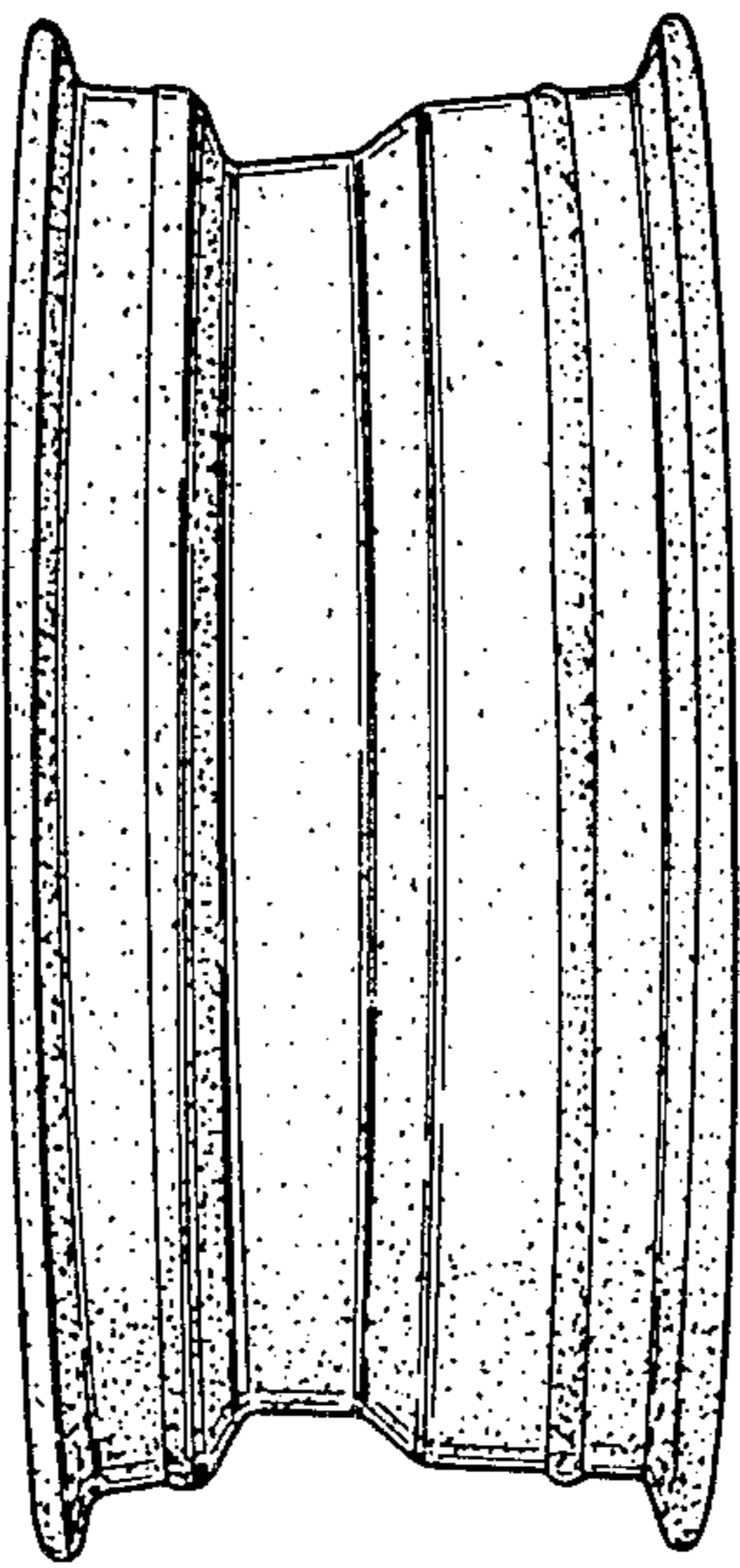


FIG. 2



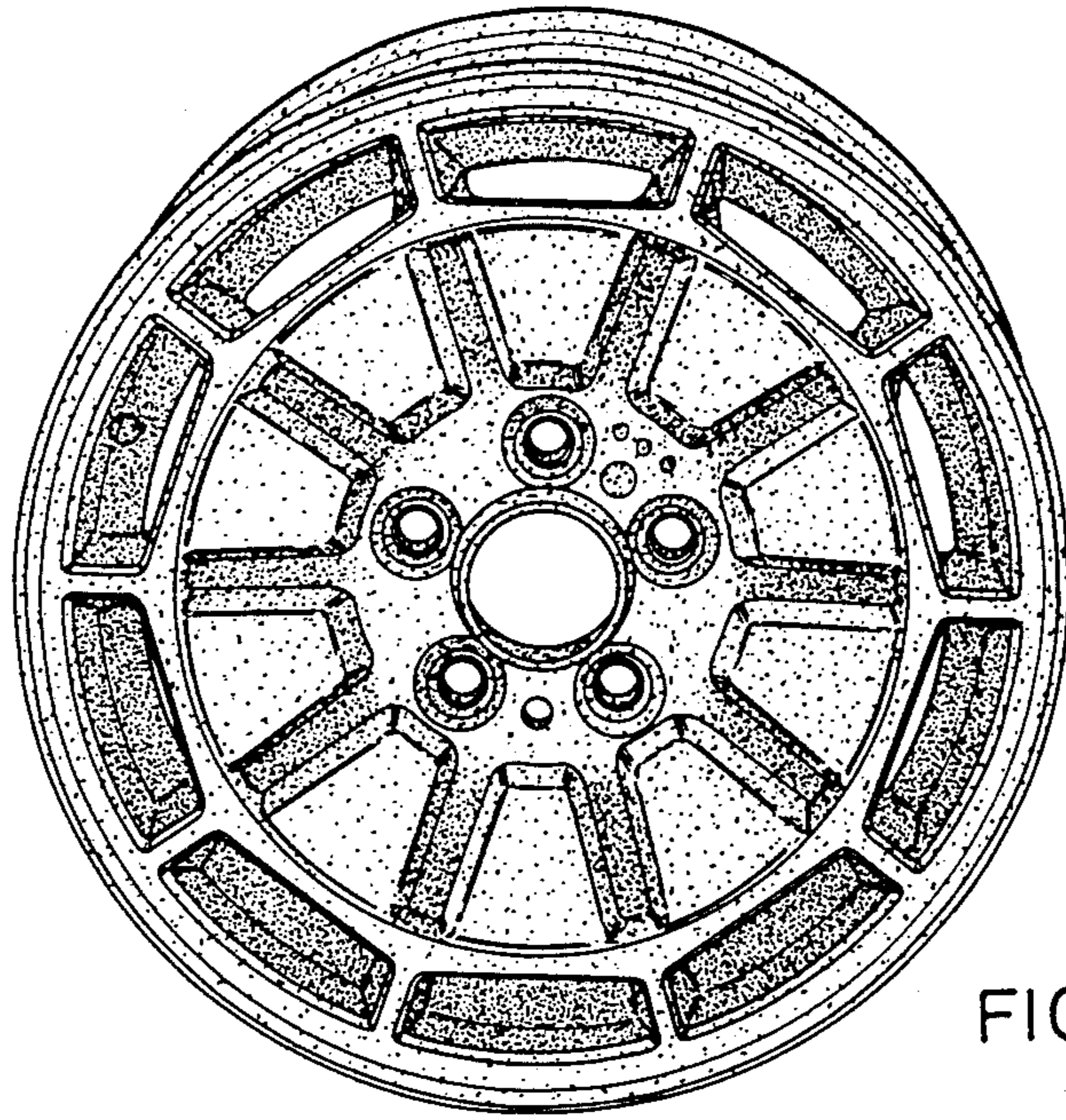


FIG. 3

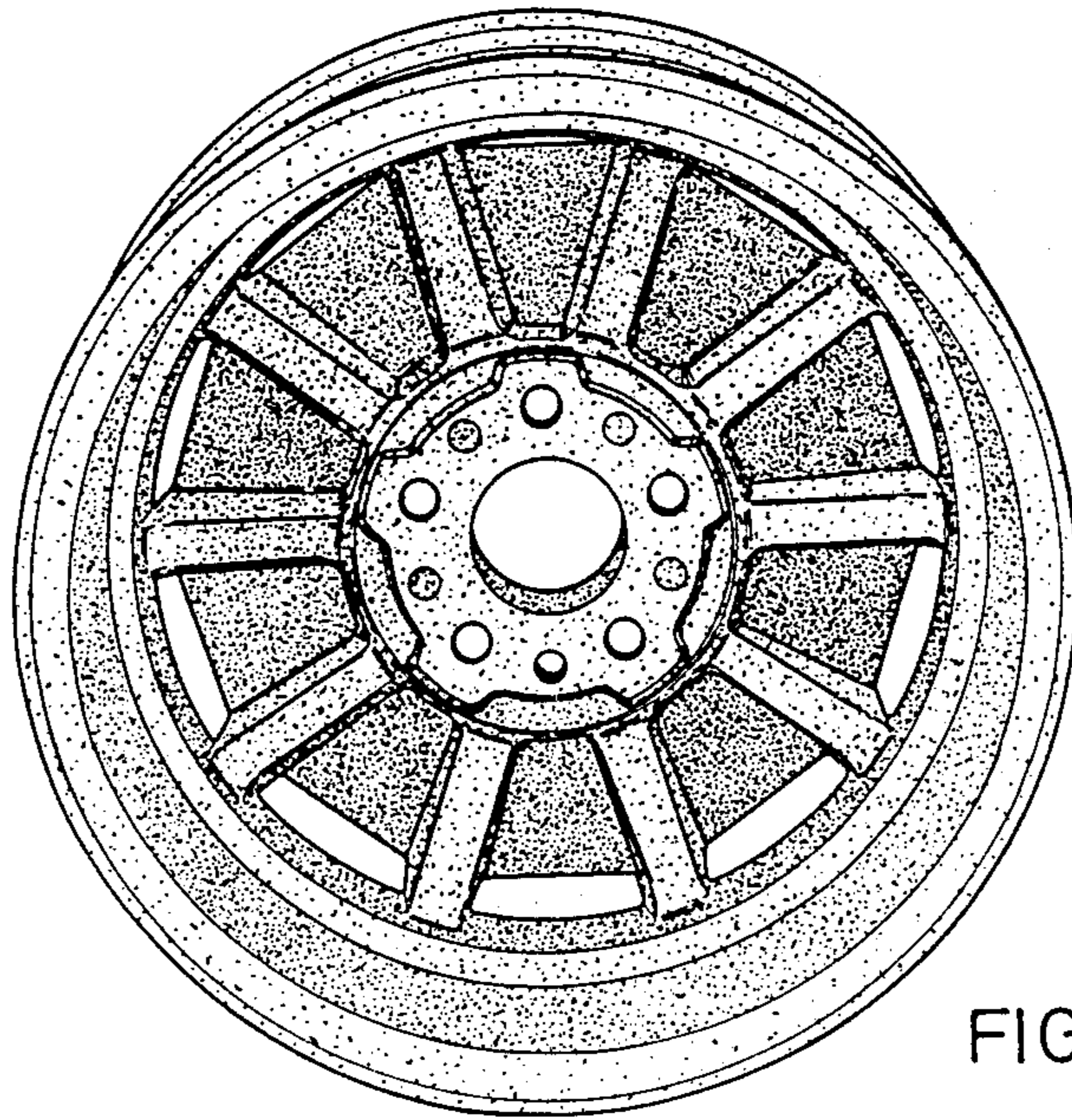


FIG. 4