

[54] TENSION INDICATOR FOR STRAP TENSIONERS

[75] Inventors: Peter Földi, Forsheda; Hans Carselid, Anderstorp, both of Sweden

[73] Assignee: Broderna Holmbergs Fabriks AB, Anderstorp, Sweden

[**] Term: 14 Years

[21] Appl. No.: 560,824

[22] Filed: Dec. 13, 1983

[30] Foreign Application Priority Data

Jun. 13, 1983 [SE] Sweden 831609

[52] U.S. Cl. D10/83

[58] Field of Search D10/46, 83, 94, 103; 24/68 R, 68 D; 73/862.39, 862.42, 862.44

[56] References Cited

U.S. PATENT DOCUMENTS

942,006 11/1909 Morehead 73/862.44

1,193,668 8/1916 Curry et al. 73/862.42
4,510,651 4/1985 Prete, Jr. et al. 24/68 R

FOREIGN PATENT DOCUMENTS

1046913 12/1958 Fed. Rep. of Germany .
1062454 7/1959 Fed. Rep. of Germany .
822988 10/1984 Sweden .

Primary Examiner—Louis S. Zarfaz
Attorney, Agent, or Firm—Merchant, Gould, Smith, Edell, Welter & Schmidt

[57] CLAIM

The ornamental design for a tension indicator for strap tensioners, as shown.

DESCRIPTION

FIG. 1 is a bottom plan view of a tension indicator for strap tension showing our new design; FIG. 2 is a front elevational view thereof, the rear view being identical; FIG. 3 is a top plan view; and FIG. 4 is a side elevational view thereof.

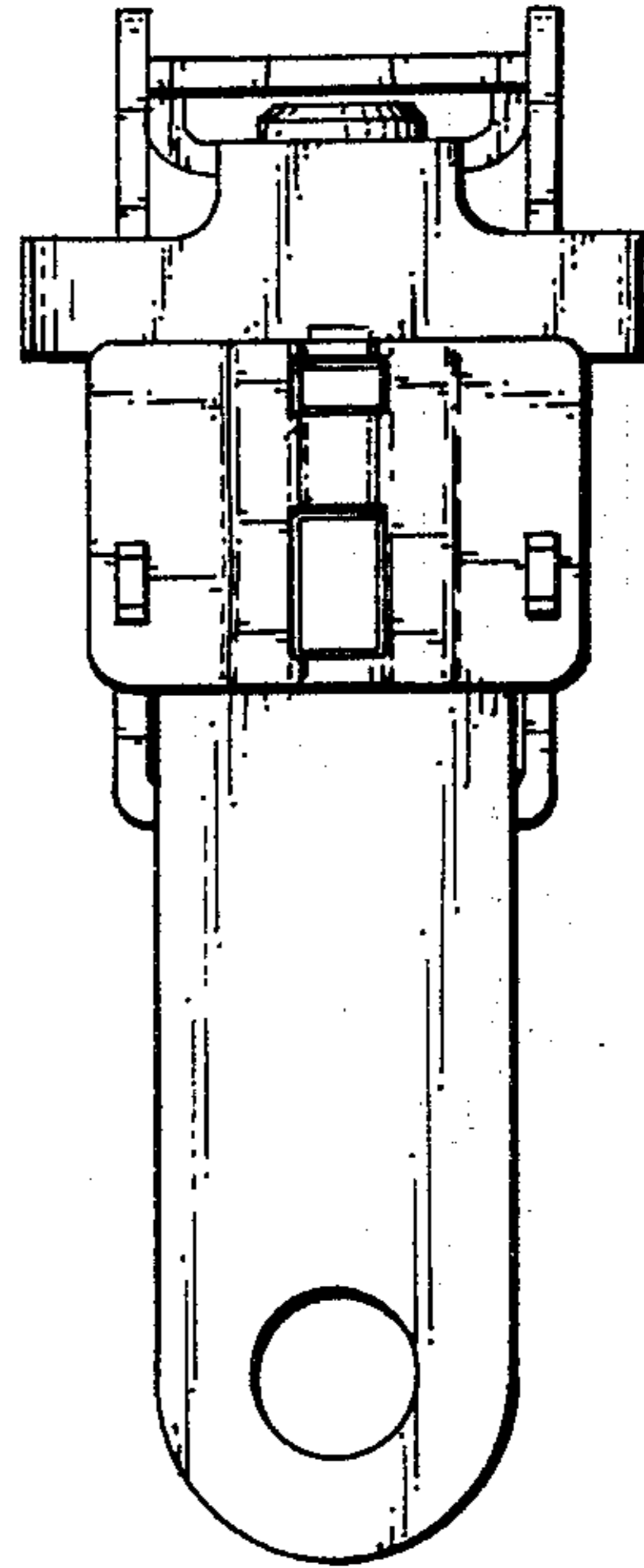
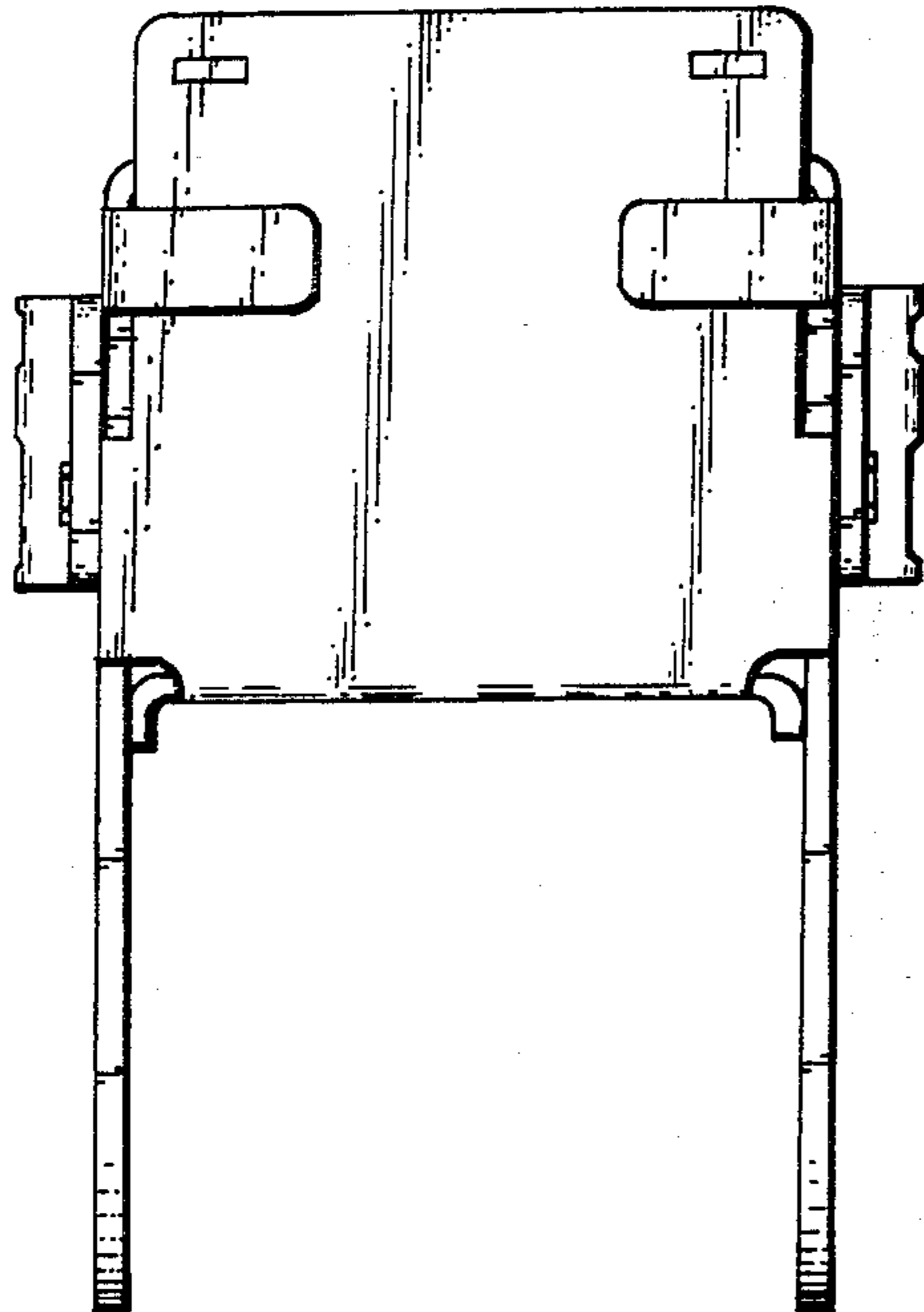


FIG. 1

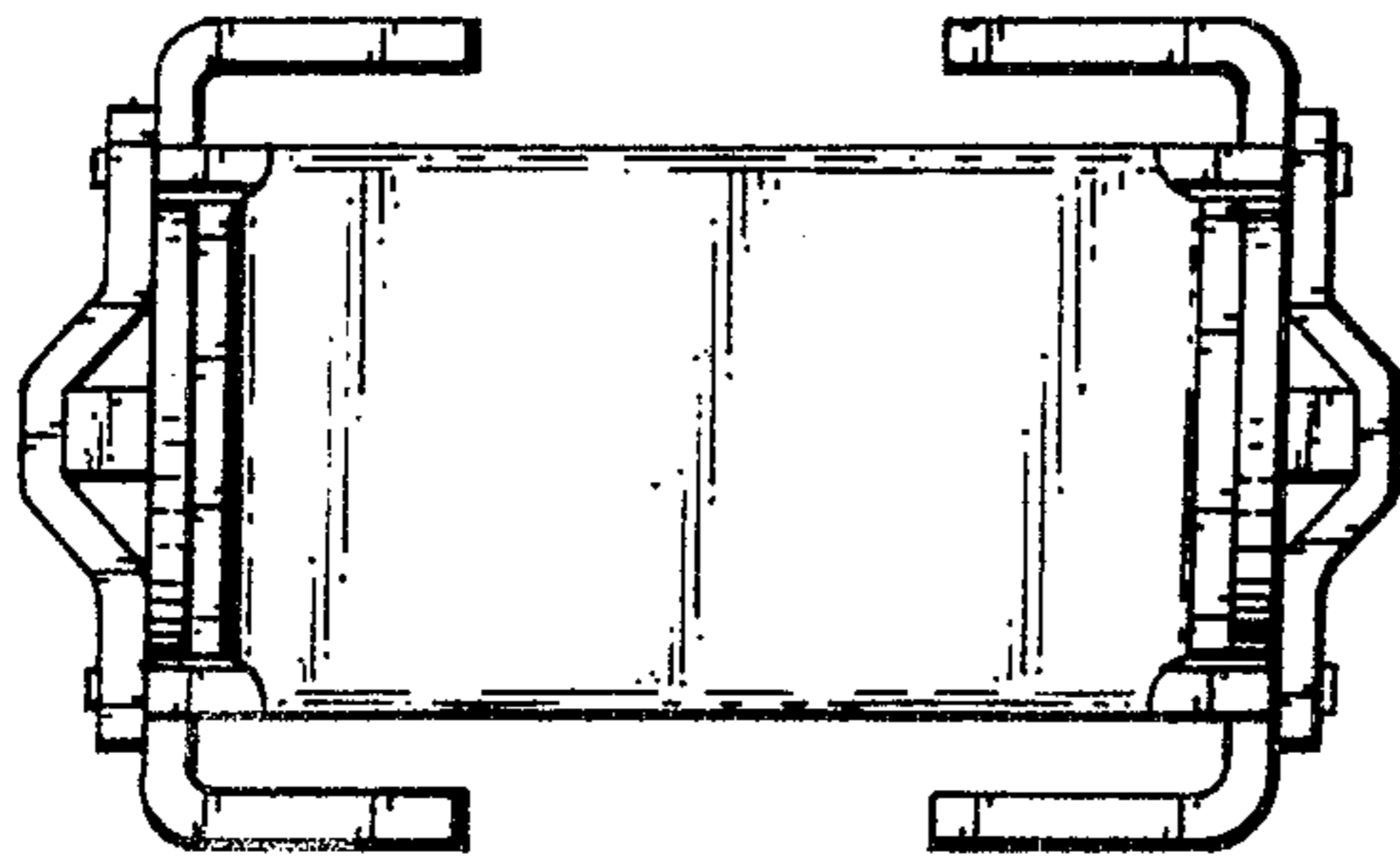


FIG. 2

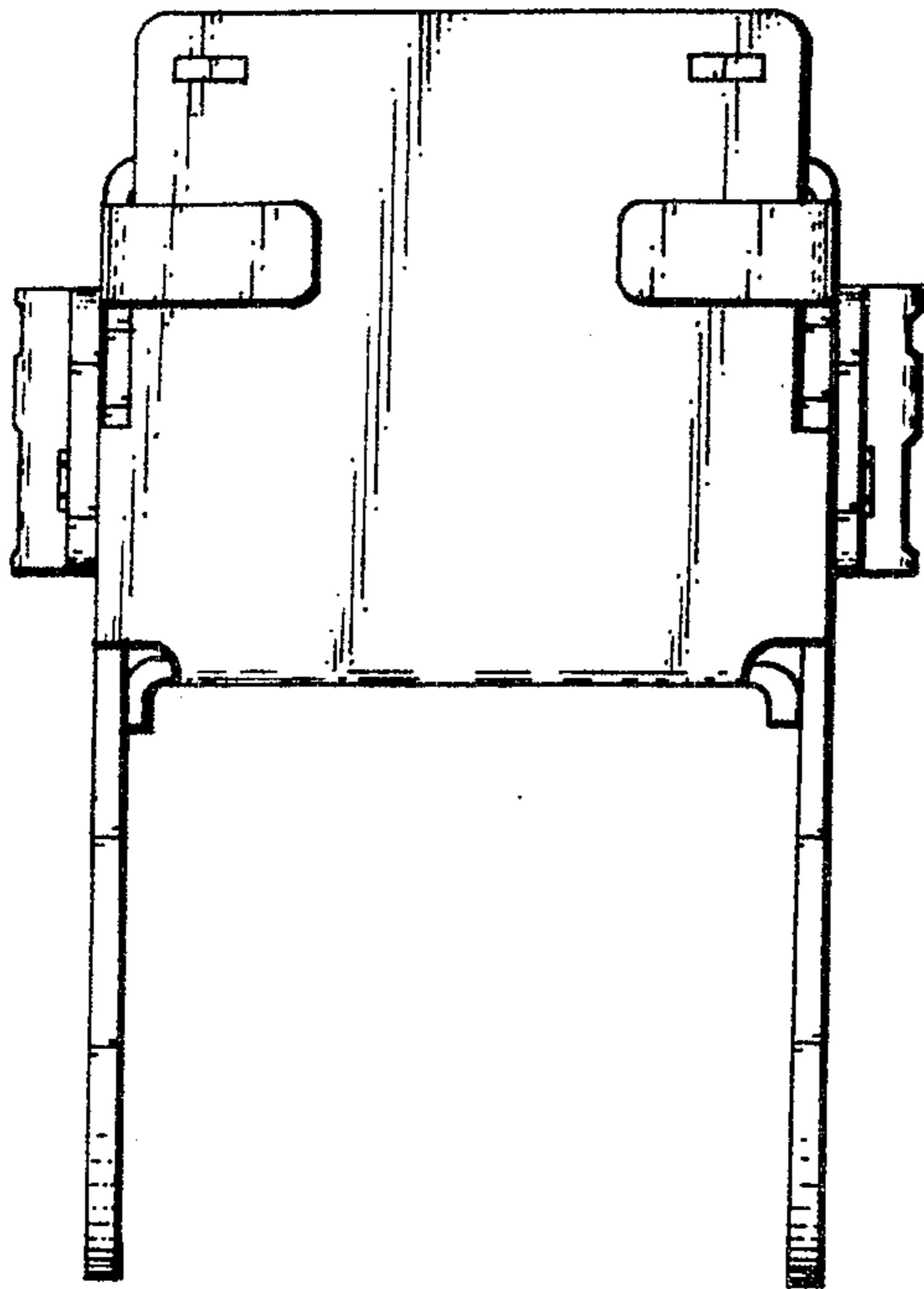


FIG. 3

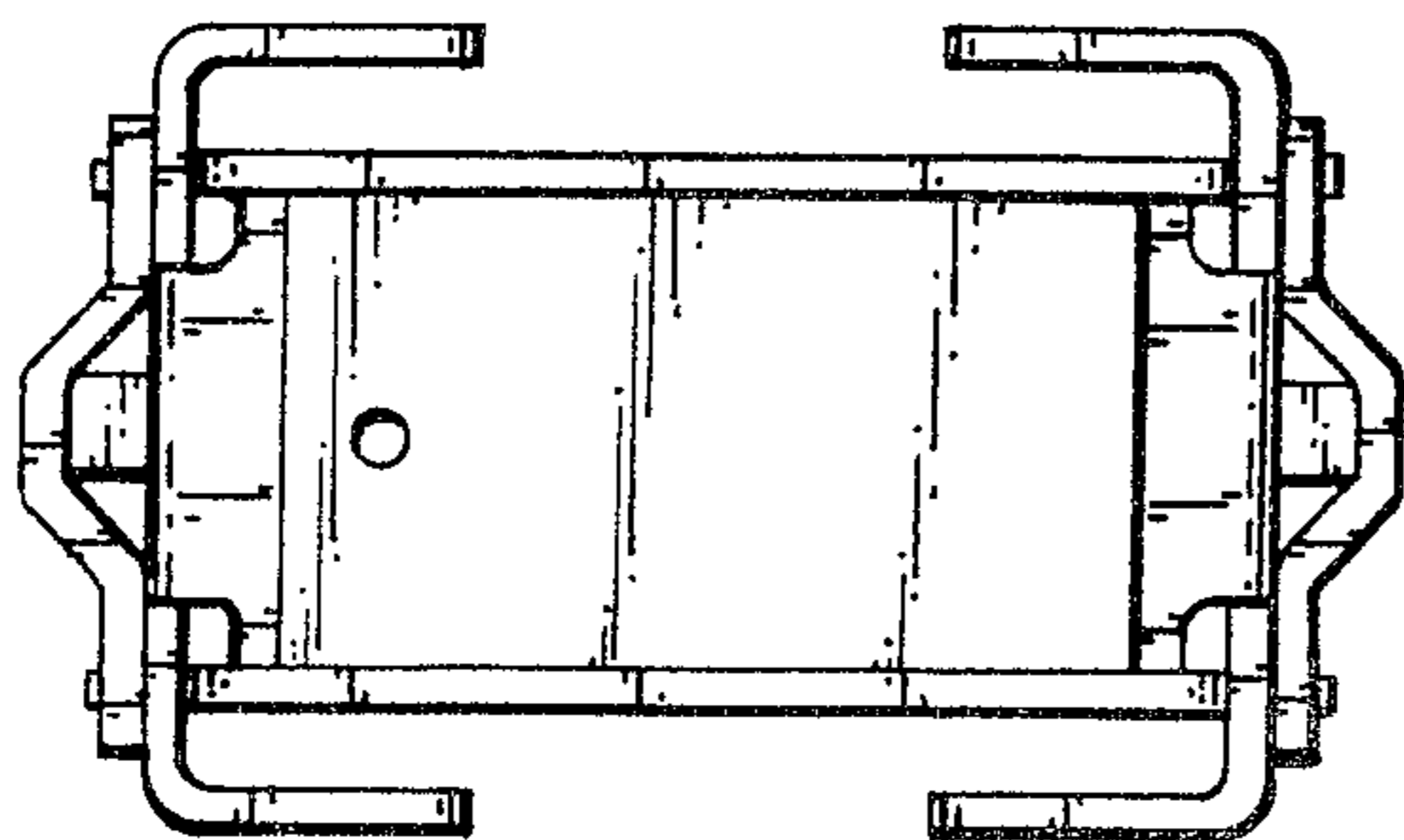


FIG. 4

