

[54] CORD REEL WITH INTEGRAL LIGHT

[75] Inventor: Frederic W. Schwartz, Providence, R.I.

[73] Assignee: Cable Electric Products, Inc., Providence, R.I.

[\*\*] Term: 14 Years

[21] Appl. No.: 543,816

[22] Filed: Oct. 25, 1983

[52] U.S. Cl. .... D8/358; D13/40

[58] Field of Search ..... D13/11, 30, 40; D8/358-359; 242/84.8, 85, 96, 107, 107.13, 115, 116; 339/5 RL, 113 L, 119 C; 191/12.2 R, 12.4; D26/38, 51

[56] References Cited

U.S. PATENT DOCUMENTS

D. 260,985	9/1981	Moylan .....	D8/359 X
4,220,293	9/1980	Gename .....	D8/359 X
4,338,497	7/1982	Drew .....	191/12.4
4,520,239	5/1985	Schwartz .....	191/12.4

OTHER PUBLICATIONS

"Sidewinder I" Electrical Cord Reel-Electrical Construction and Maintenance, Jan. 1978.

"Stor-A-Lite"™ Cable Electrical Products-Hardware Age, Aug. 1983, p. 195.

Primary Examiner—Wallace R. Burke

Assistant Examiner—Brian N. Vinson

Attorney, Agent, or Firm—Paul J. Sutton

[57] CLAIM

The ornamental design for a cord reel with integral light, as shown and described.

DESCRIPTION

FIG. 1 is a perspective view of a cord reel with integral light showing my new design;

FIG. 2 is a front elevation thereof;

FIG. 3 is a left side elevation thereof, the opposite side being substantially similar;

FIG. 4 is a top plan view thereof;

FIG. 5 is a rear elevation thereof; and

FIG. 6 is a bottom plan view thereof.

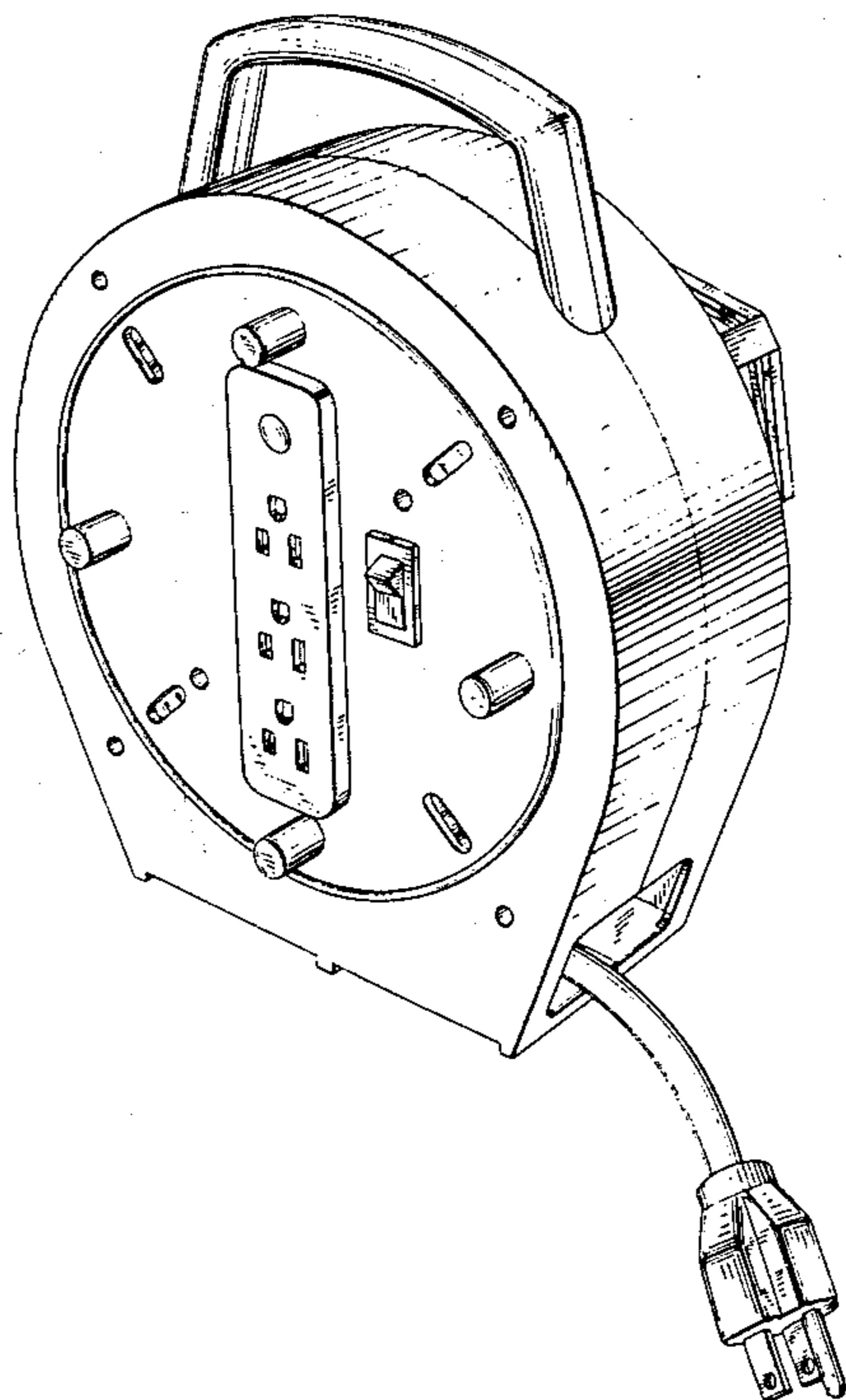


FIG. 1

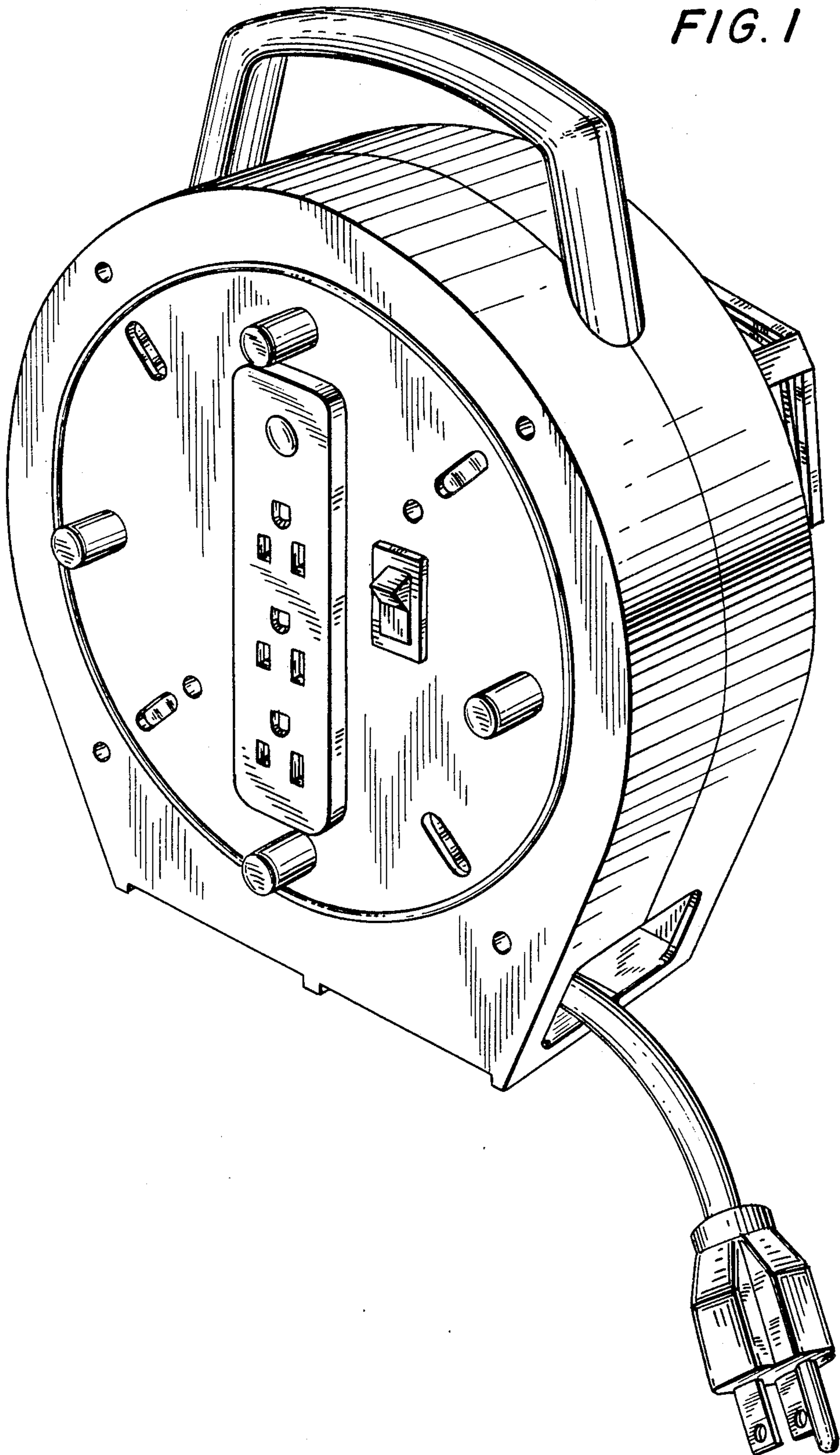


FIG. 3

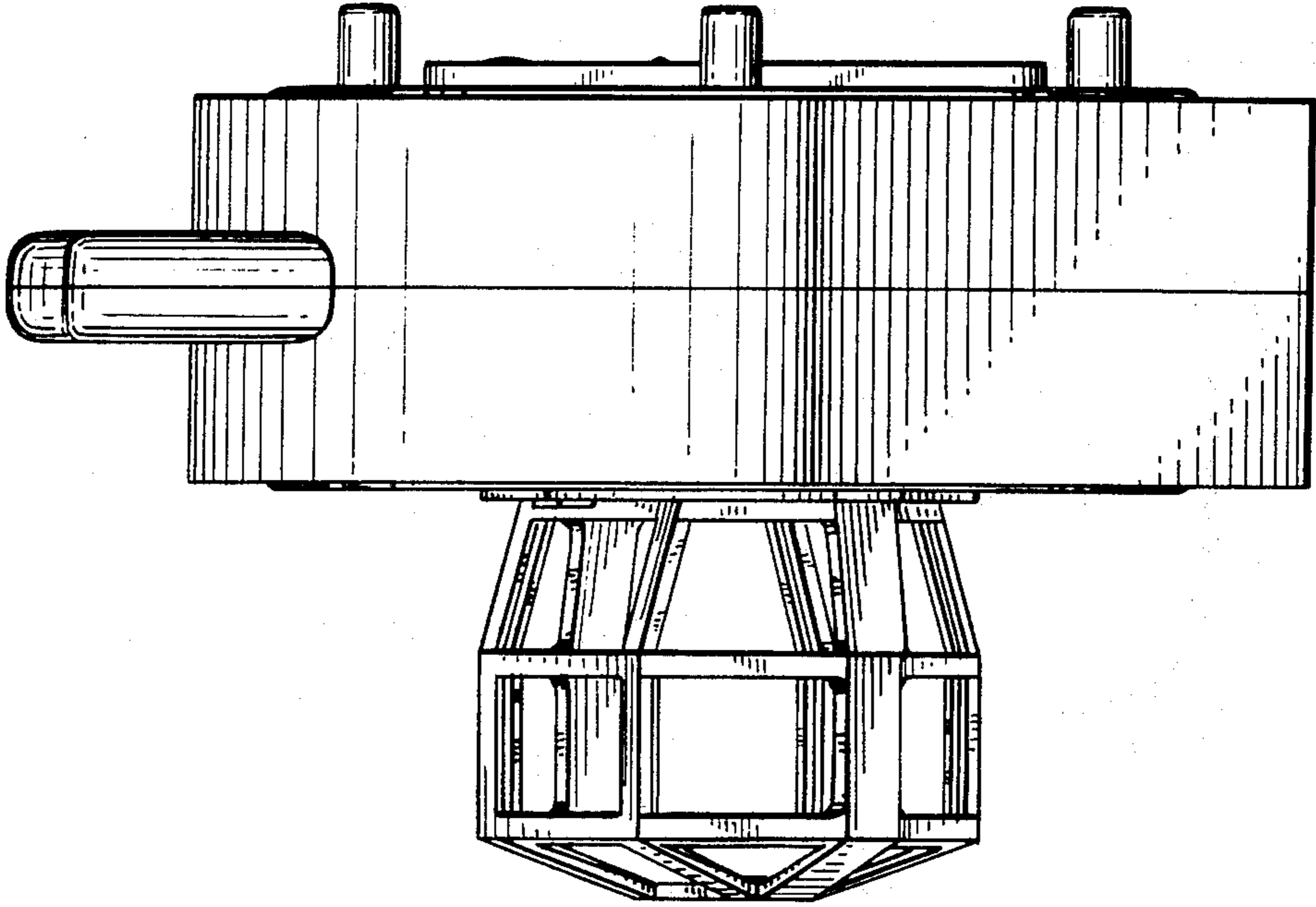


FIG. 2

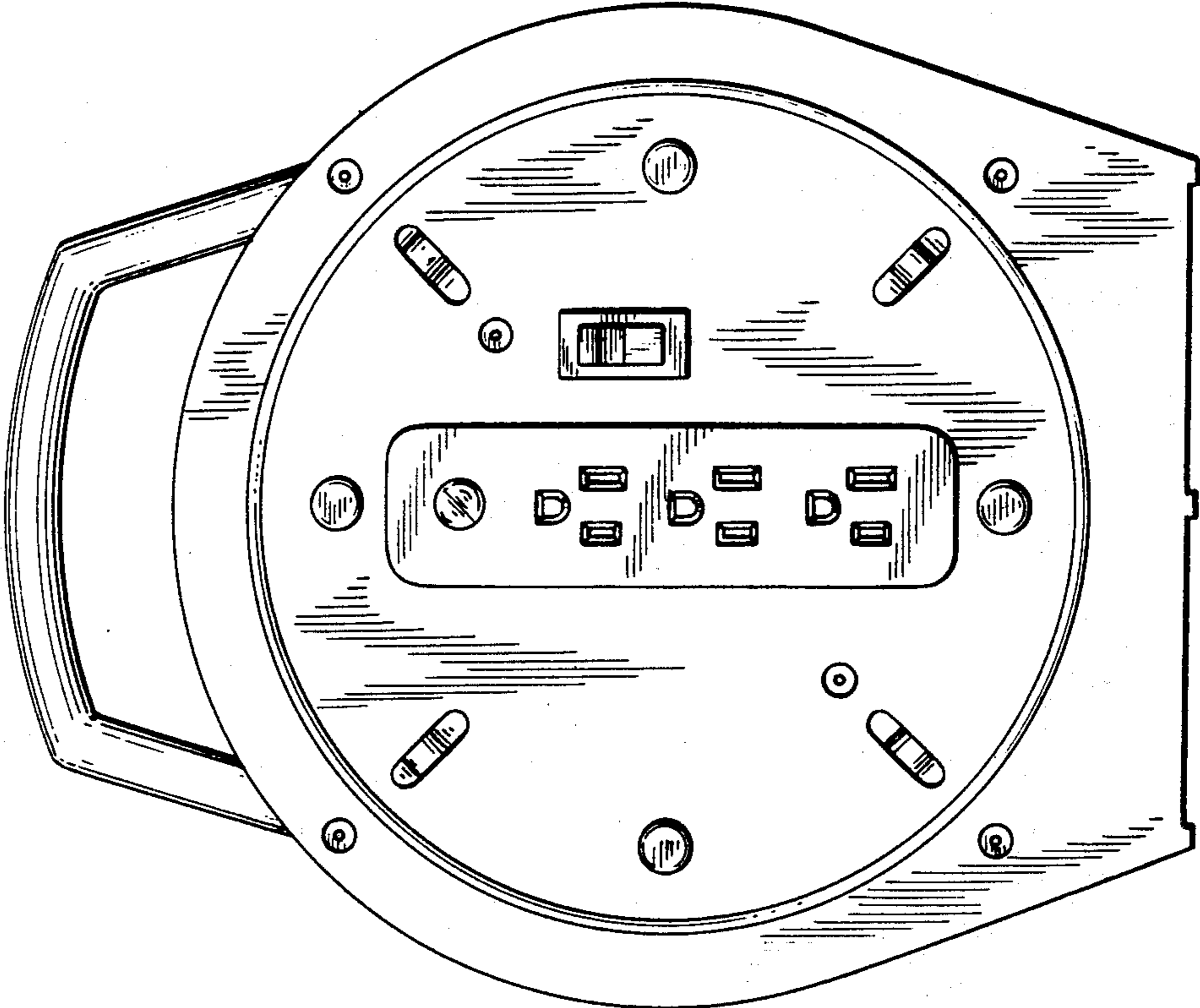


FIG. 5

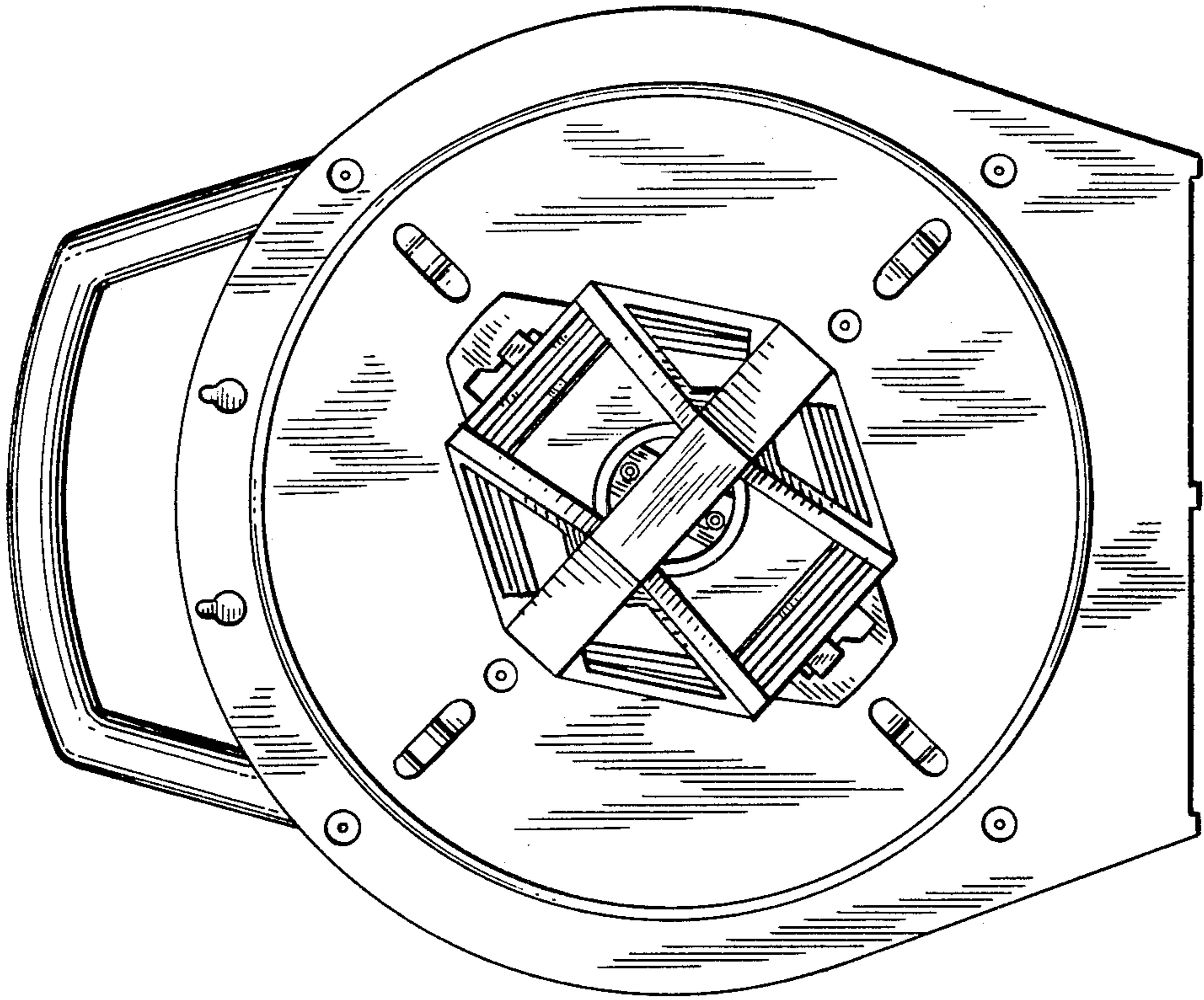


FIG. 4

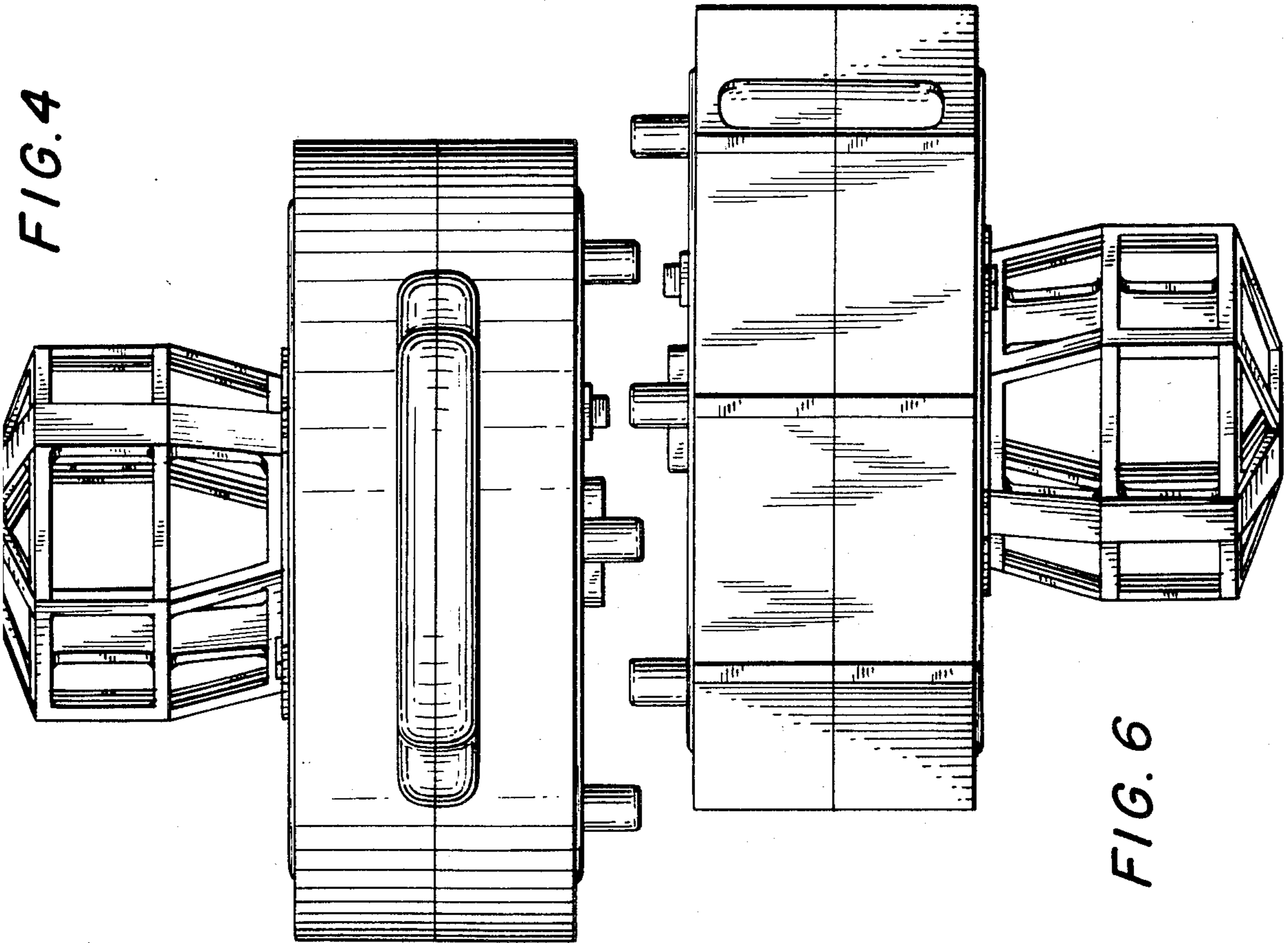


FIG. 6