

[54] **LAVATORY CUBICLE DOOR SLIDING BOLT**

[75] **Inventors: Ian H. Dryburgh, London; Peter N. G. Murdoch, Milland, both of England**

[73] **Assignee: Venesta International Components Limited, Erith, England**

[\*\*] **Term: 14 Years**

[21] **Appl. No.: 673,361**

[22] **Filed: Nov. 20, 1984**

[30] **Foreign Application Priority Data**

May 30, 1984 [GB] United Kingdom ..... 841019981  
[52] **U.S. Cl. .... D8/341**  
[58] **Field of Search ..... D8/330-331, D8/338-339, 341, 343, 300, 310; 292/346, 347, 337**

[56] **References Cited**

**U.S. PATENT DOCUMENTS**

D. 204,685	5/1966	Davis	.....	D8/341
1,574,222	2/1926	Wensel	.....	292/145 X
3,666,309	5/1972	Zarzycki	.....	292/337
3,944,266	3/1976	Weaver	.....	292/145

**OTHER PUBLICATIONS**

Chicago Spring Hinge Co. Catalogue (1948)—Lavatory Door Slide Bolt—Type 1236K, p. 36.

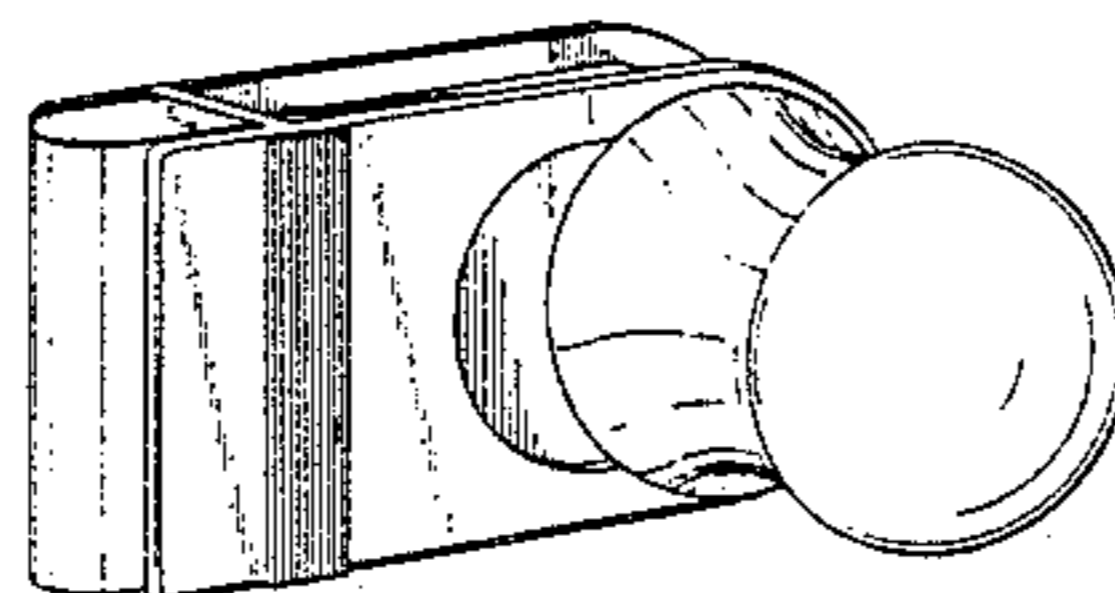
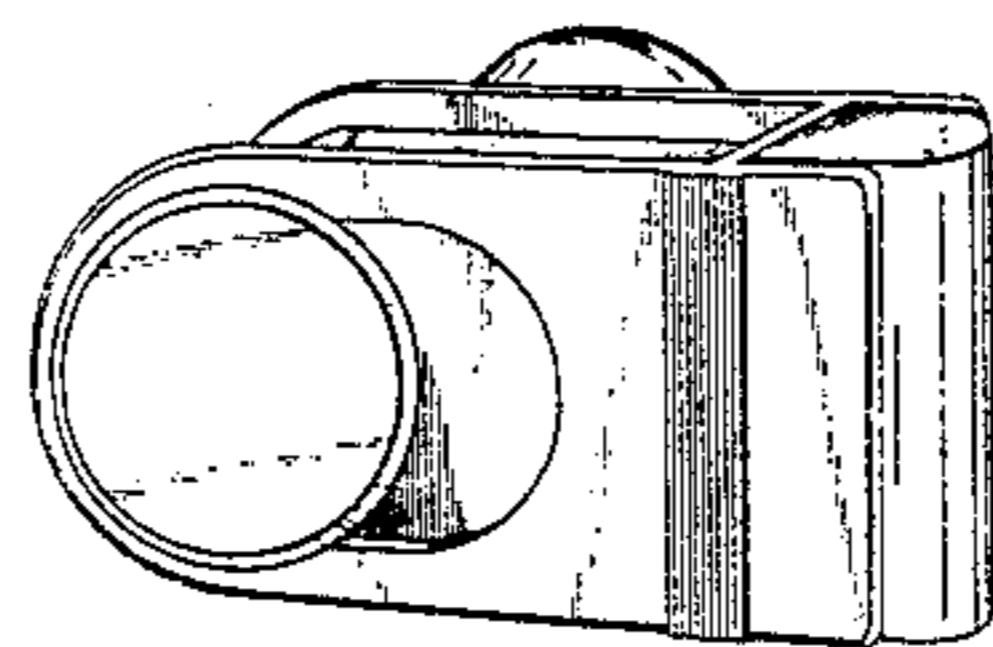
*Primary Examiner*—Wallace R. Burke  
*Assistant Examiner*—Brian N. Vinson  
*Attorney, Agent, or Firm*—Silverman, Cass, Singer & Winburn, Ltd.

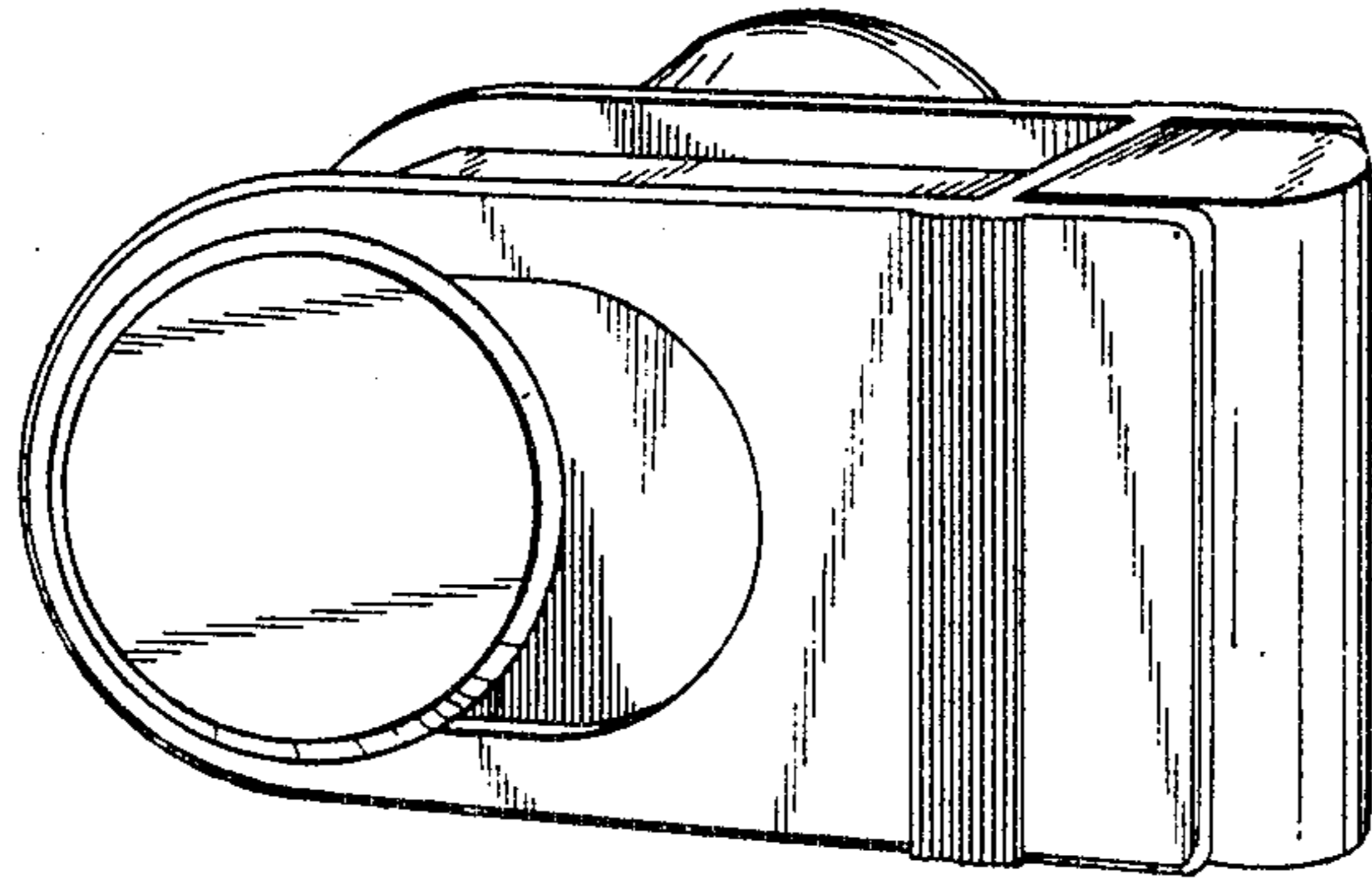
[57] **CLAIM**

The ornamental design for a lavatory cubicle door sliding bolt, substantially as shown and described.

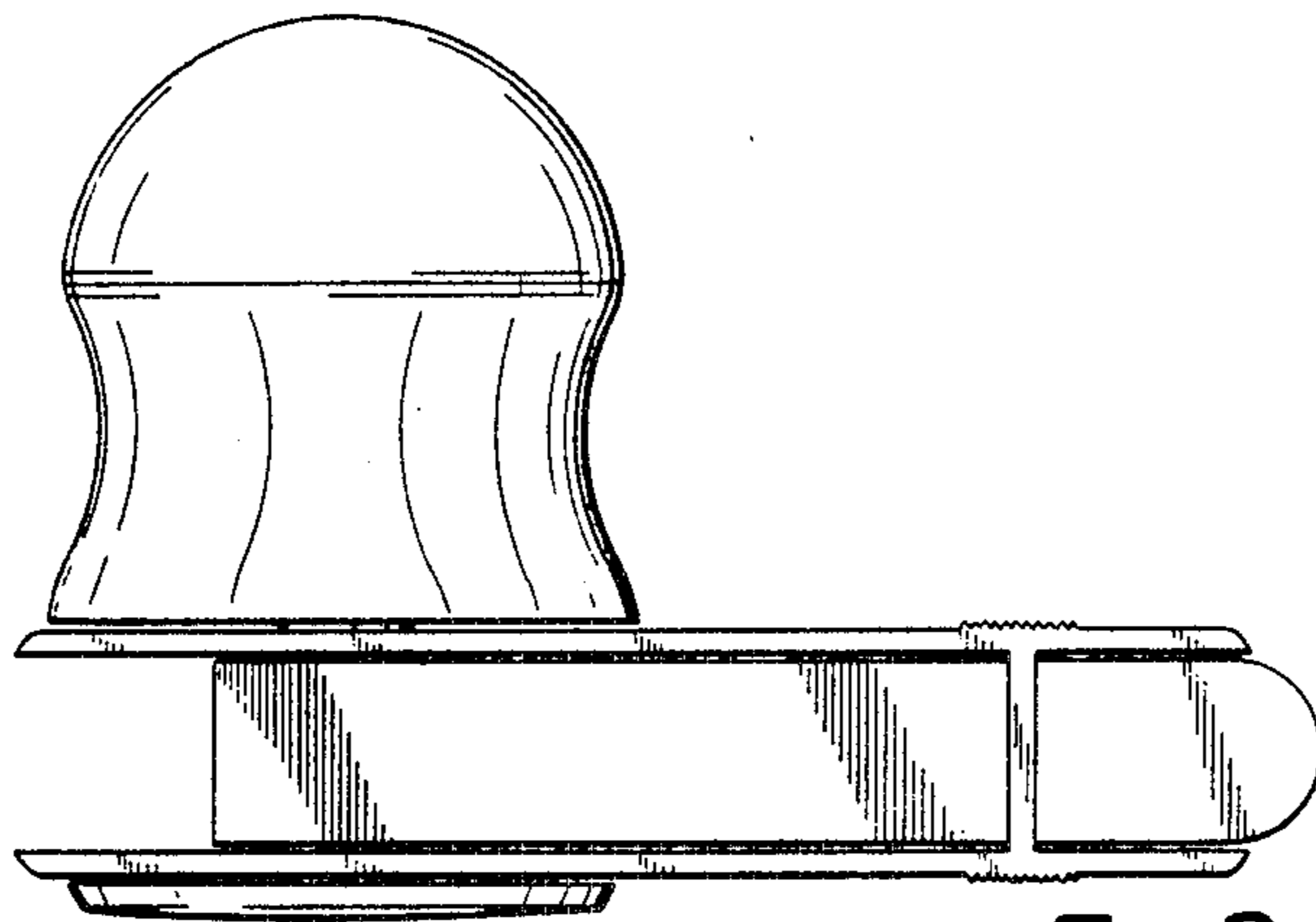
**DESCRIPTION**

FIG. 1 is a front perspective view of a lavatory cubicle door sliding bolt showing my new design;  
FIG. 2 is a top plan view thereof, the bottom being identical in appearance; and  
FIG. 3 is a rear perspective view thereof.

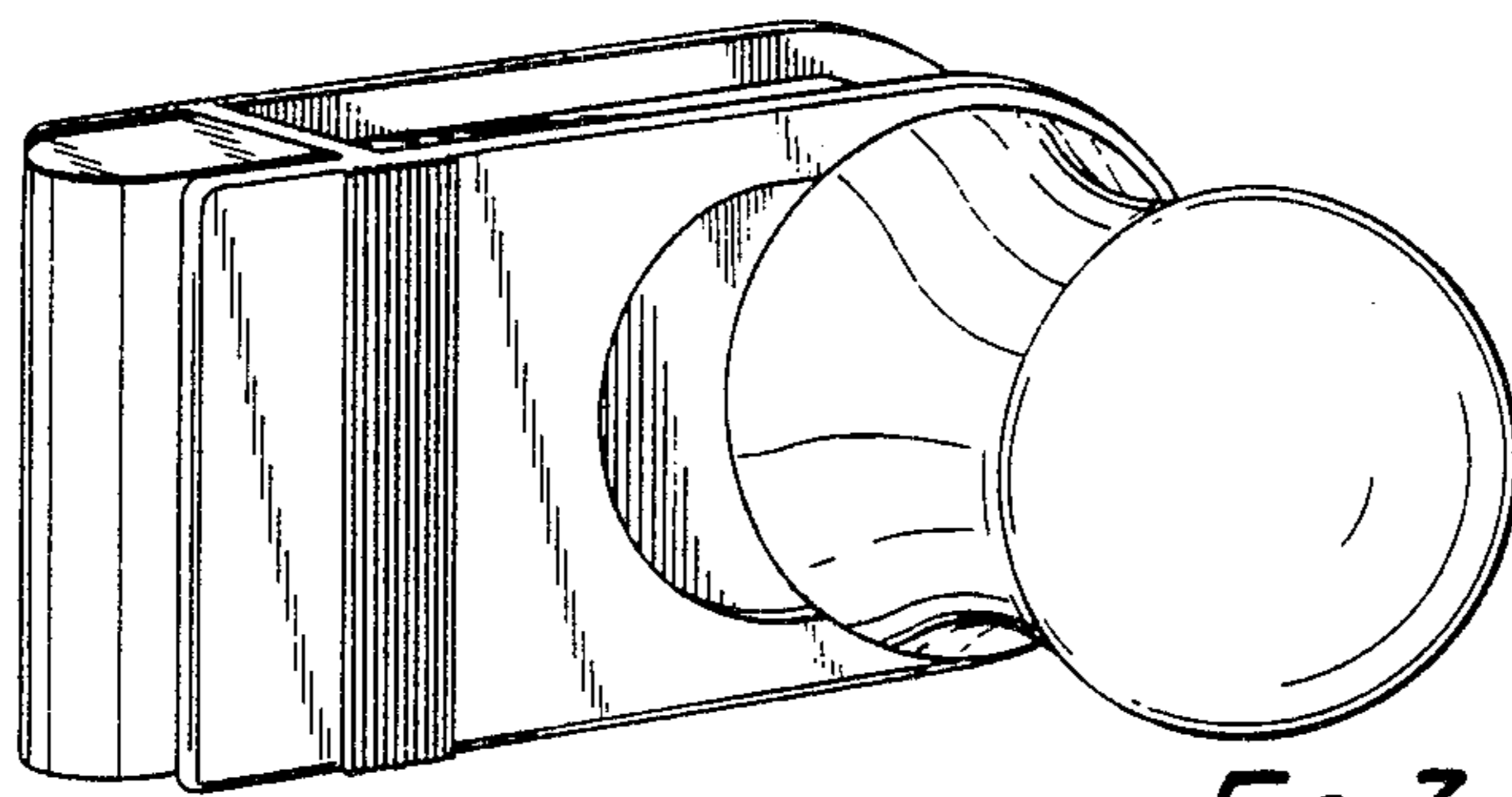




*FIG. 1.*



*FIG. 2.*



*FIG. 3.*